



TMX W320

SAW Bandpass Filter – CDMA Rx - RF
Specification (Rev 2)

▣ Features.....	P01
▣ Package Drawing & Pin out.....	P01
▣ Technical Characteristics	P02
▣ Matching Network	P02
▣ Nominal Response.....	P03
▣ Maximum Ratings.....	P04
▣ Marking & Packaging	P04

TMX W320

SAW Bandpass Filter – CDMA Rx - RF

Specification (Rev.2)- RF

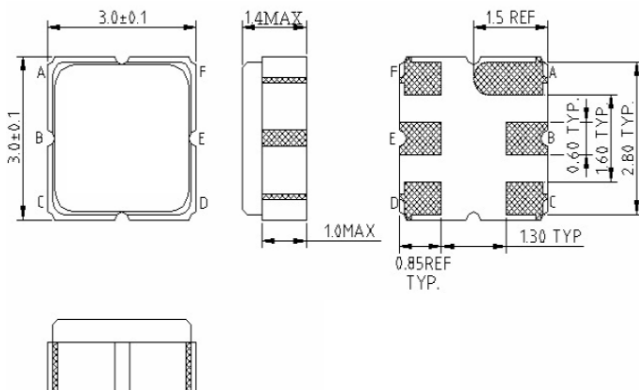
May 05th, 2006

Features

- ❑ Rx SAW Filter for CDMA
- ❑ 881.5 MHz Center Frequency
- ❑ 25 MHz useable Passband
- ❑ 50 Ohms Single Configuration
- ❑ Ceramic package for Surface Mounted Technology

Package Drawing & Pin out

The product is in conformance with the European RoHs Regulation 2002/95.



Pin Configuration	
Input	B
Output	E
Case ground	A, C, D, F

TMX W320

SAW Bandpass Filter – CDMA Rx - RF

Specification (Rev.2)- RF

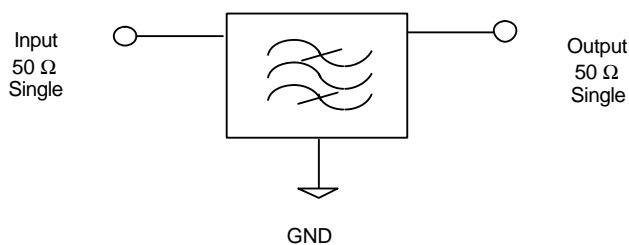
May 05th, 2006

Technical Characteristics

Reference Temperature: +25°C

Electrical Parameters	Unit	Minimum	Typical	Maximum
Source Impedance (single ended)	Ω	-	50	-
Load Impedance (single ended)	Ω	-	50	-
Center Frequency f_0	MHz	-	881.5	-
Absolute Attenuation				
DC to 824 MHz	dB	40	50	-
824 MHz to 849 MHz	dB	35	47	-
921 MHz to 925 MHz	dB	24	30	-
970 MHz to 997 MHz	dB	35	64	-
997 MHz to 1150 MHz	dB	40	60	-
1150 MHz to 1500 MHz	dB	30	51	-
1500 MHz to 2000 MHz	dB	25	41	-
2000 MHz to 3000 MHz	dB	20	27	-
Insertion Loss within 869 MHz ~ 894 MHz	dB	-	2.3	3.0
VSWR within 869 MHz ~ 894 MHz		-	1.6	2.0
Ripple within 869 MHz ~ 894 MHz	dB	-	0.8	1.5

Matching Network



TMX W320

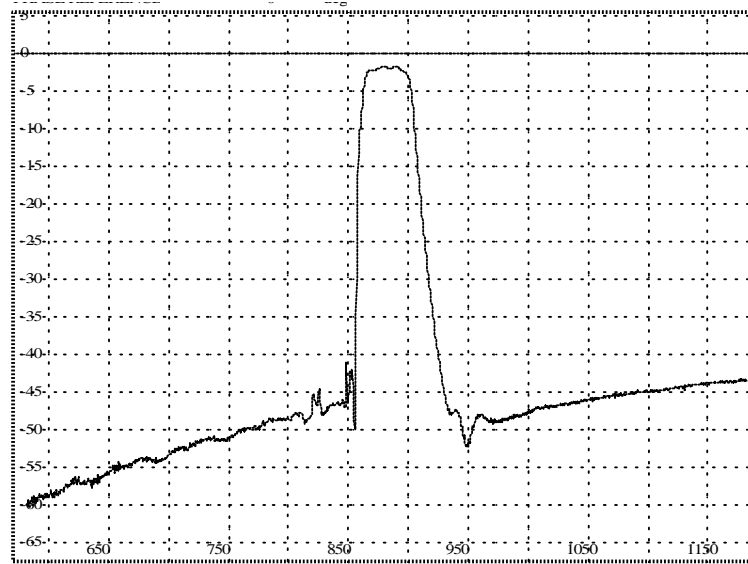
SAW Bandpass Filter – CDMA Rx - RF

Specification (Rev.2)- RF

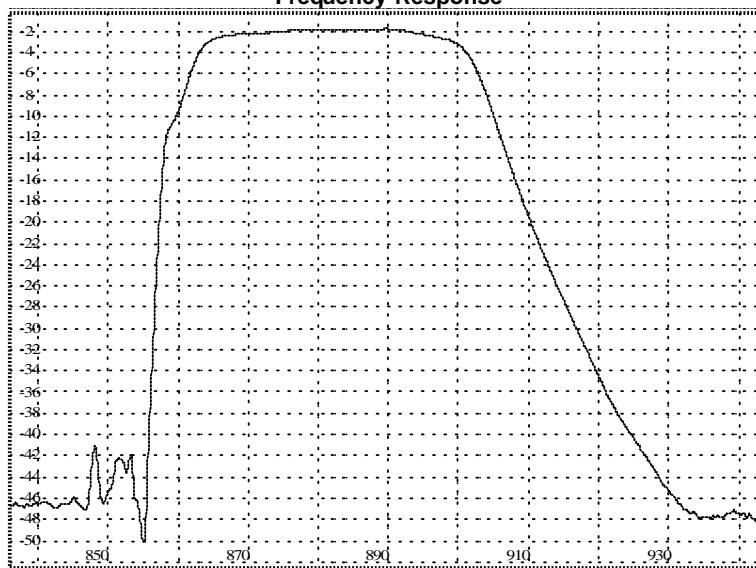
May 05th, 2006

Nominal Frequency Response (Measurements)

Frequency Response



Frequency Response



TMX W320

SAW Bandpass Filter – CDMA Rx - RF

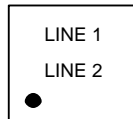
Specification (Rev.2)- RF

May 05th, 2006

Maximum Ratings

Storage Temperature Range	°C	[-40°C ; +85°C]
Operating temperature	°C	[-30°C ; +85°C]
DC voltage	V	0
Input Power	dBm	10

Marking

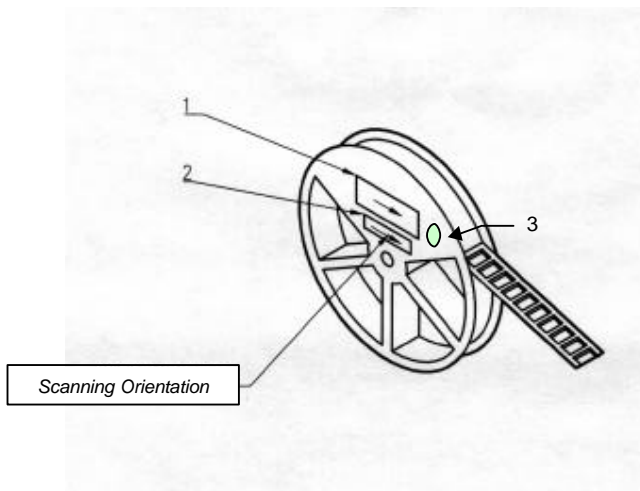


Line 1: "NNNN" is the reference to Temex Part number with only the last 4 digits

Line 2: RYWWZZ is the date code as:

- R: Partner identifier.
- Y: last digit of the year.
- WW: number of week in the year
- ZZ: Lot number in the week (from AA to ZZ).

Packaging



- 1 – Temex Label
- 2 – ESD Prevention Label
- 3 – Pb Free Label