



TMX W316

SAW Bandpass Filter – eGSM Rx – RF
Specification (Rev 2)

| | |
|-----------------------------------|-----|
| ▣ Features..... | P01 |
| ▣ Package Drawing & Pin out..... | P01 |
| ▣ Technical Characteristics | P02 |
| ▣ Matching Network..... | P02 |
| ▣ Nominal Response..... | P03 |
| ▣ Maximum Ratings..... | P04 |
| ▣ Marking & Packaging | P04 |

TMX W316

SAW Bandpass Filter – eGSM Rx – RF

Specification (Rev 2)

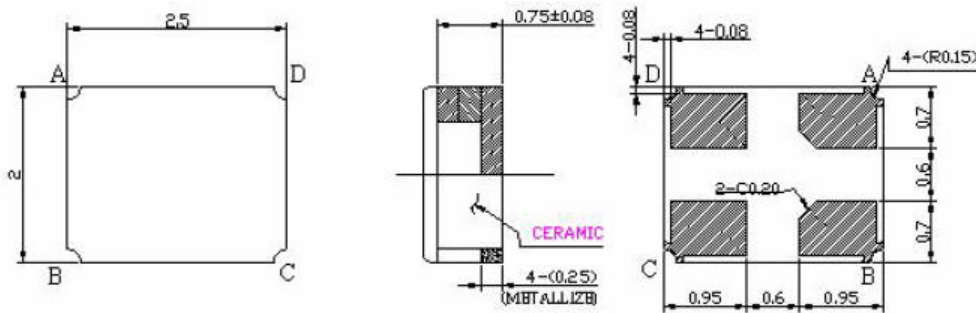
September 25th, 2005

Features

- ❑ Rx Filter for eGSM
- ❑ 942,5 MHz Center Frequency
- ❑ 35 MHz useable Passband
- ❑ 50 W Single Configuration
- ❑ Ceramic Package for Surface Mounted Technology

Package Drawing & Pin out

The product is in conformance with the European RoHs Regulation 2002/95.



| Pin Configuration | |
|-------------------|------|
| Input | B |
| Output | D |
| Case ground | A, C |

TMX W316

SAW Bandpass Filter – eGSM Rx – RF

Specification (Rev 2)

September 25th, 2005

Technical Characteristics

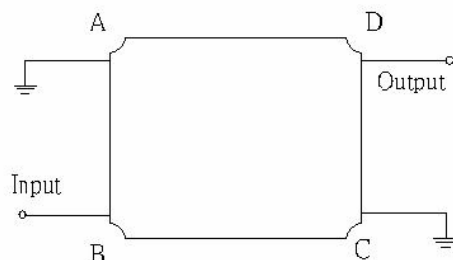
Reference Temperature : +25°C

| Electrical Parameters | Unit | Minimum | Typical ⁽¹⁾ | Maximum |
|---|------|---------|------------------------|---------|
| Source Impedance (single ended) | Ω | - | 50 ⁽²⁾ | - |
| Load Impedance (single ended) | Ω | - | 50 ⁽²⁾ | - |
| Center Frequency fo | MHz | - | 942.5 | - |
| Bandwidth at –3 dB | MHz | 35 | - | - |
| Absolute attenuation | | | | |
| DC to 750 MHz | dB | 50 | 60 | - |
| 750 MHz to 880 MHz | dB | 43 | 50 | - |
| 880 MHz to 905 MHz | dB | 31 | 42 | - |
| 980 MHz to 1005 MHz | dB | 21 | 28 | - |
| 1005 MHz to 1025 MHz | dB | 28 | 33 | - |
| 1025 MHz to 1035 MHz | dB | 35 | 49 | - |
| 1035 MHz to 1760 MHz | dB | 40 | 50 | - |
| 1760 MHz to 3000 MHz | dB | 25 | 31 | - |
| Insertion Loss within 925 MHz ~ 960 MHz | dB | - | 3.0 | 4.0 |
| VSWR within 925 MHz ~ 960 MHz | | - | 2.0 | 2.6 |
| Ripple within 925 MHz ~ 960 MHz | dB | - | 1.3 | 2.3 |

Notes :

- (1) Typical values are nominal performances at room temperature.
- (2) No external matching network is required.
- (3) The amplitude variation is defined as the maximum level – minimum level over the given bandwidth.

Matching Network



TMX W316

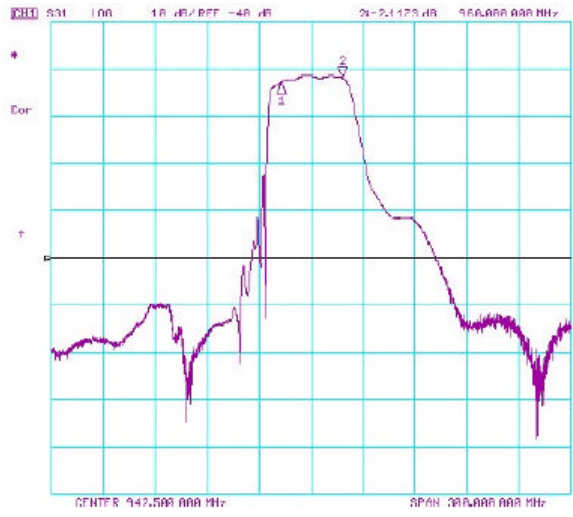
SAW Bandpass Filter – eGSM Rx – RF

Specification (Rev 2)

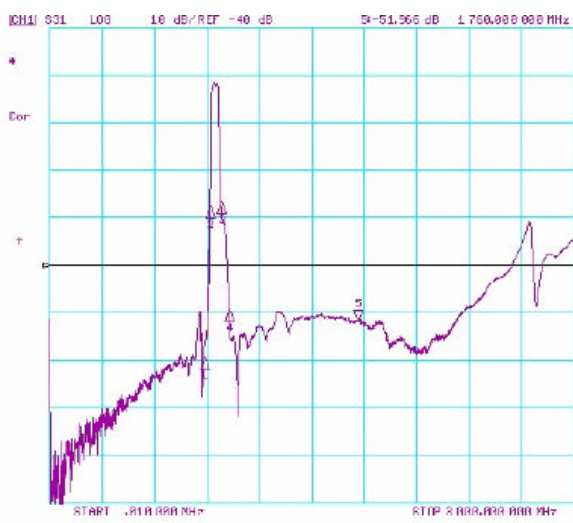
September 25th, 2005

Nominal Frequency Response (Measurements)

Frequency Response



Frequency Response



TMX W316

SAW Bandpass Filter – eGSM Rx – RF

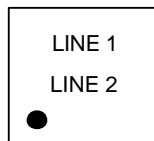
Specification (Rev 2)

September 25th, 2005

Maximum Ratings

| | | |
|---------------------------------|-----|-----------------|
| Operating Temperature Range | °C | [-30°C ; +80°C] |
| Storage Temperature Range | °C | [-40°C ; +85°C] |
| DC voltage between any two pins | V | 0 |
| Input Power Level | dBm | 15 |

Marking



Line 1: "P C" with P for the code product identification and C for the partner identifier

Line 2: "Y W" with Y for the last digit of the year and W for the week code (A to Z for the week 1 to 26 and a to z for the week 27 to 52).

Packaging

1. Temex label
2. ESD Prevention label
3. Pb free label (if applicable)

