



TMX W313

SAW Bandpass Filter – DCS1800 Rx - RF
Specification (Rev 2)

▣ Features.....	P01
▣ Package Drawing & Pin out.....	P01
▣ Technical Characteristics	P02
▣ Matching Network	P02
▣ Nominal Response.....	P03
▣ Maximum Ratings.....	P04
▣ Marking & Packaging	P04

TMX W313

SAW Bandpass Filter – DCS1800 Rx - RF

Specification (Rev.2)- RF

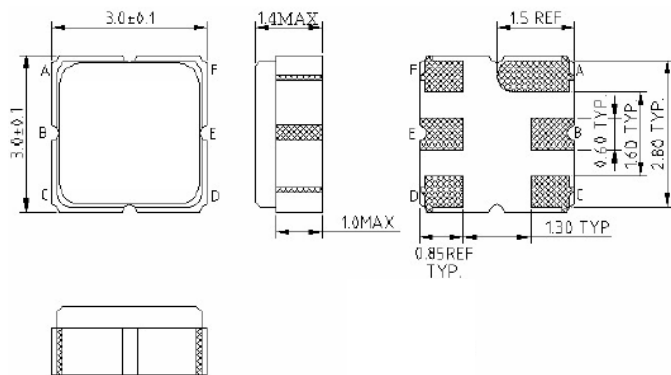
September 25th, 2005

Features

- ❑ Rx SAW Filter for DCS1800
- ❑ 1842.42 MHz Center Frequency
- ❑ 75 MHz useable Passband
- ❑ 50 Ohms Single Configuration
- ❑ Ceramic package for Surface Mounted Technology

Package Drawing & Pin out

The product is in conformance with the European RoHs Regulation 2002/95.



Pin Configuration

Input	B
Output	E
Case ground	A, C, D, F

TMX W313

SAW Bandpass Filter – DCS1800 Rx - RF

Specification (Rev.2)- RF

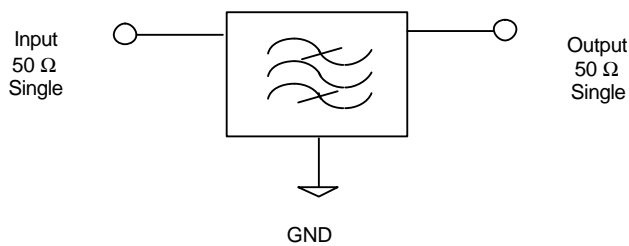
September 25th, 2005

Technical Characteristics

Reference Temperature : +25°C

Electrical Parameters	Unit	Minimum	Typical ⁽¹⁾	Maximum
Source Impedance (single)	Ohms	-	50	-
Load Impedance (single)	Ohms	-	50	-
Center Frequency f_c	MHz	-	1842.42	-
Bandwidth at -3dB	MHz	75	-	-
Absolute Attenuation				
DC to 1500 MHz	dB	20	25	-
1600 MHz to 1710 MHz	dB	22	25	-
1710 MHz to 1785 MHz	dB	10	24	-
1920 MHz to 3120 MHz	dB	25	28	-
3120 MHz to 4000 MHz	dB	17	30	-
Insertion Loss within 1805 MHz ~ 1880 MHz	dB	-	2.2	3.8
VSWR within 1805 MHz ~ 1880 MHz		-	1.9	2.6
Ripple within 1805 MHz ~ 1880 MHz	dB	-	1.3	2.3

Matching Network



TMX W313

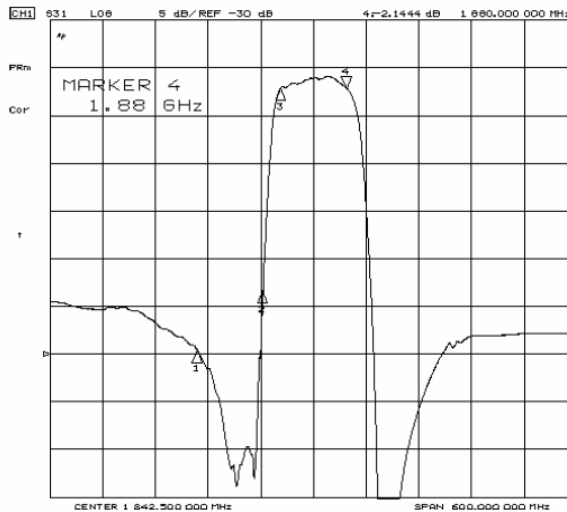
SAW Bandpass Filter – DCS1800 Rx - RF

Specification (Rev.2)- RF

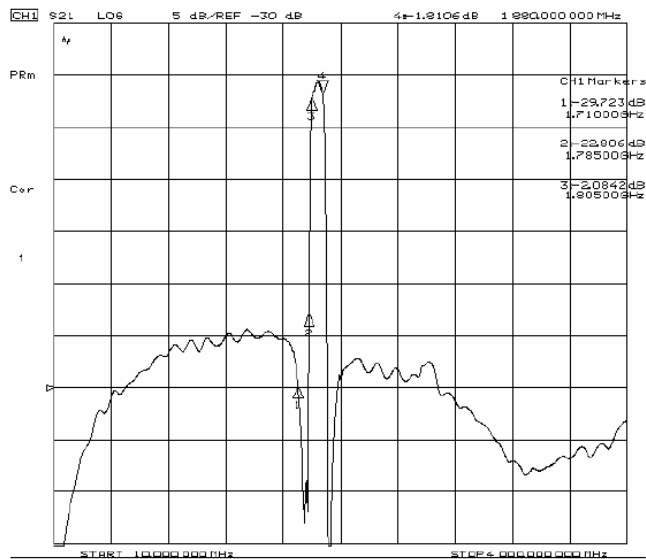
September 25th, 2005

Nominal Frequency Response (Measurements)

Frequency Response



Frequency Response



TMX W313

SAW Bandpass Filter – DCS1800 Rx - RF

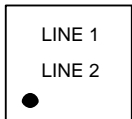
Specification (Rev.2)- RF

September 25th, 2005

Maximum Ratings

Storage Temperature Range	°C	[-50°C ; +100°C]
Operating temperature	°C	[-30°C ; +80°C]
DC voltage	V	0
Input Power	dBm	13

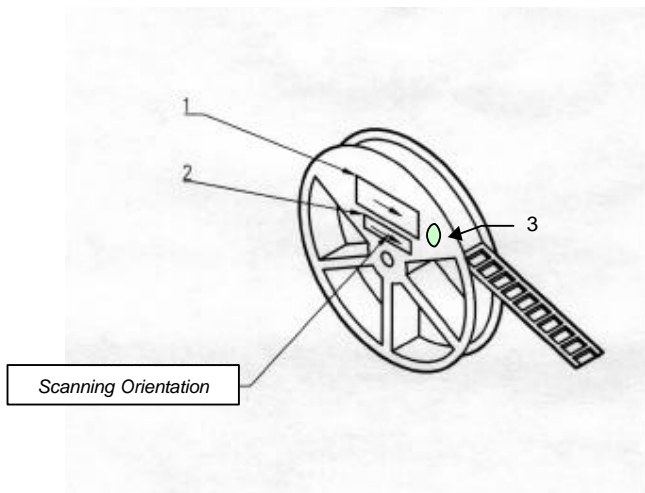
Marking



Line 1: "NNNN" is the reference to Temex Part number with only the last 4 digits

Line 2: RYWWZZ is the date code as:
 R: Partner identifier.
 Y: last digit of the year.
 WW: number of week in the year
 ZZ: Lot number in the week (from AA to ZZ).

Packaging



- 1 – Temex Label
- 2 – ESD Prevention Label
- 3 – Pb Free Label