

Coaxial

Power Splitter/Combiner

ZFSC-2-2500+

2 Way-0° 50Ω 10 to 2500 MHz

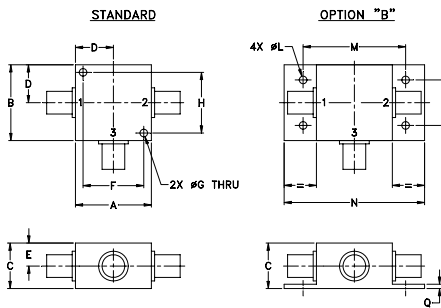
Maximum Ratings

Operating Temperature	-55°C to 100°C
Storage Temperature	-55°C to 100°C
Power Input (as a splitter)	1W max.
Internal Dissipation	0.125W max.

Coaxial Connections

SUM PORT	3
PORT 1	1
PORT 2	2

Outline Drawing



Outline Dimensions (inch/mm)

A	B	C	D	E	F	G	H
1.25	1.25	.75	.63	.38	1.00	.125	1.000
31.75	31.75	19.05	16.00	9.65	25.40	3.18	25.40
J	K	L	M	N	P	Q	wt
--	--	.125	1.688	2.18	.75	.07	grams
--	--	3.18	42.88	55.37	19.05	1.78	70.0

Features

- very wideband, 10 to 2500 MHz
- low insertion loss, 0.4 dB typ.
- excellent amplitude unbalance, 0.1 dB typ.
- excellent phase unbalance, 1.0 deg. typ.
- rugged shielded case

Applications

- cellular
- GPS
- PCS/DCS
- ISM
- satellite distribution



CASE STYLE: K18

Connectors	Model	Price	Qty.
SMA	ZFSC-2-2500-S+	\$74.95	(1-9)
BRACKET (OPTION "B")		\$2.50	(1+)

+ RoHS compliant in accordance with EU Directive (2002/95/EC)

The +Suffix has been added in order to identify RoHS Compliance. See our web site for RoHS Compliance methodologies and qualifications.

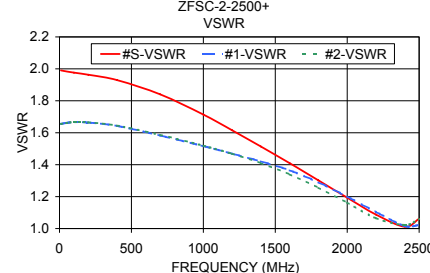
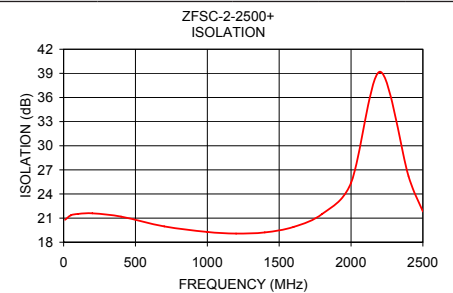
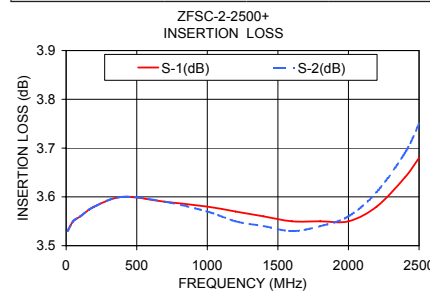
Electrical Specifications

FREQ. RANGE (MHz)	ISOLATION (dB)			INSERTION LOSS (dB) ABOVE 3.0 dB			PHASE UNBALANCE (Degrees)			AMPLITUDE UNBALANCE (dB)								
	L	M	U	L	M	U	L	M	U	L	M	U						
f_L - f_U	Typ. Min.	Typ. Min.	Typ. Min.	Typ. Max.	Typ. Max.	Typ. Max.	Max.	Max.	Max.	Max.	Max.	Max.						
10-2500	16	11	17	14	17	14	0.5	0.8	0.6	1.4	0.8	1.5	1	4	8	0.2	0.3	0.4

L = low range [f_L to $10 f_L$] M = mid range [$10 f_L$ to $f_U/2$] U = upper range [$f_U/2$ to f_U]

Typical Performance Data

Frequency (MHz)	Insertion Loss (dB)		Amplitude Unbalance (dB)	Isolation (dB)	Phase Unbalance (deg.)	VSWR S	VSWR 1	VSWR 2
	S-1	S-2						
10.00	3.53	3.53	0.00	20.79	0.01	1.99	1.66	1.66
50.00	3.55	3.55	0.00	21.35	0.02	1.98	1.66	1.66
100.00	3.56	3.56	0.00	21.52	0.04	1.98	1.67	1.67
200.00	3.58	3.58	0.00	21.59	0.06	1.96	1.66	1.66
400.00	3.60	3.60	0.00	21.19	0.11	1.93	1.64	1.64
700.00	3.59	3.59	0.00	19.97	0.19	1.84	1.58	1.59
1000.00	3.58	3.57	0.01	19.28	0.30	1.71	1.52	1.52
1200.00	3.57	3.55	0.01	19.08	0.40	1.62	1.47	1.47
1400.00	3.56	3.54	0.01	19.22	0.54	1.51	1.42	1.41
1600.00	3.55	3.53	0.02	19.90	0.70	1.41	1.36	1.34
1800.00	3.55	3.54	0.01	21.53	0.87	1.30	1.29	1.26
2000.00	3.55	3.56	0.01	25.39	1.06	1.19	1.20	1.16
2200.00	3.58	3.61	0.03	39.20	1.20	1.09	1.10	1.07
2400.00	3.64	3.69	0.05	26.21	1.19	1.01	1.02	1.02
2500.00	3.68	3.75	0.07	21.83	1.16	1.06	1.02	1.06



electrical schematic



Mini-Circuits®
ISO 9001 ISO 14001 AS 9100 CERTIFIED

minicircuits.com

P.O. Box 350166, Brooklyn, New York 11235-0003 (718) 934-4500 Fax (718) 332-4661 For detailed performance specs & shopping online see Mini-Circuits web site

The Design Engineers Search Engine Provides ACTUAL Data Instantly From MINI-CIRCUITS At: www.minicircuits.com

IF/RF MICROWAVE COMPONENTS

REV. C
M121077
ZFSC-2-2500+
HY/TD/CP/AM
090112