



# TMX AT12

SAW Bandpass Filter – eGSM Rx – RF  
*Specification (Rev 1)*

▣ Features.....	P01
▣ Package Drawing & Pin out.....	P01
▣ Technical Characteristics .....	P02
▣ Matching Network.....	P02
▣ Nominal Response.....	P03
▣ Maximum Ratings.....	P04
▣ Marking & Packaging .....	P04

# TMX AT12

## SAW Bandpass Filter – eGSM Rx – RF

Specification (Rev 1)

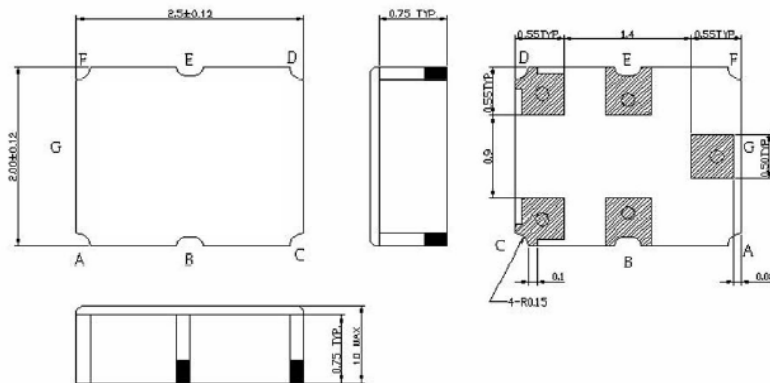
February 25<sup>th</sup>, 2006

### Features

- ❑ Rx Filter for eGSM
- ❑ 942,5 MHz Center Frequency
- ❑ 35 MHz useable Passband
- ❑ 50 Ohms Single Input / 150 Ohms Balance Output Configuration
- ❑ Ceramic Package for Surface Mounted Technology

### Package Drawing & Pin out

The product is in conformance with the European RoHs Regulation 2002/95.



#### Pin Configuration

<b>Input</b>	C, D
<b>Output</b>	G
<b>Case ground</b>	B, E

# TMX AT12

## SAW Bandpass Filter – eGSM Rx – RF

Specification (Rev 1)

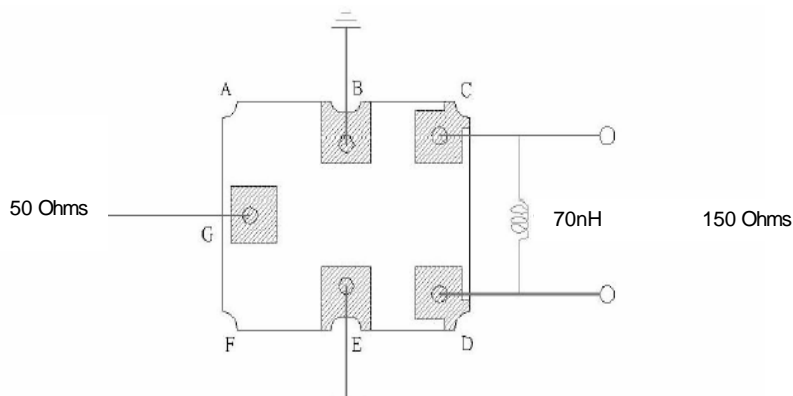
February 25<sup>th</sup>, 2006

### Technical Characteristics

Reference Temperature : +25°C

Electrical Parameters	Unit	Minimum	Typical <sup>(1)</sup>	Maximum
Source Impedance (single)	Ohms	-	50	-
Load Impedance (balanced)	Ohms	-	150	-
Center Frequency $f_c$	MHz	-	942.5	-
Bandwidth at -3dB	MHz	35	-	-
<b>Absolute Attenuation</b>				
0 to 880 MHz	dB	50	55	-
880 MHz to 905 MHz	dB	30	45	-
905 MHz to 915 MHz	dB	10	28	-
980 MHz to 1050 MHz	dB	21	27	-
1050 MHz to 6000 MHz	dB	50	55	-
<b>Symmetry in band (referenced to the matched operating condition)</b>				
$ S_{21}  /  S_{31} $ within 925 MHz – 960 MHz	dB	-1.3	0	1.3
$\angle(S_{21}) - \angle(S_{31}) + 180^\circ$ within 925 MHz – 960 MHz	deg	-10	0	10
Insertion Loss within 925 MHz – 960 MHz	dB	-	2.9	4.0
Amplitude ripple within 925 MHz – 960 MHz	dB	-	1.0	2.5
Input / Output VSWR within 925 MHz – 960 MHz		-	1.9	2.5

### Matching Network



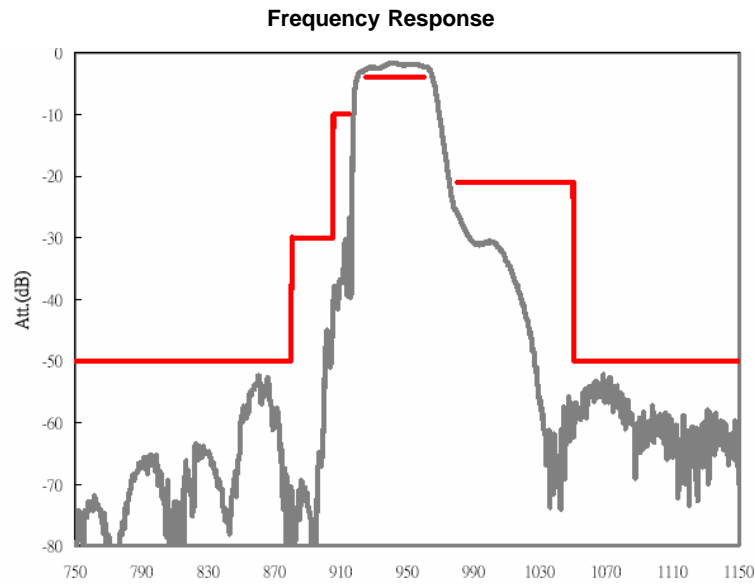
# TMX AT12

SAW Bandpass Filter – eGSM Rx – RF

Specification (Rev 1)

February 25<sup>th</sup>, 2006

## Nominal Frequency Response (Measurements)



# TMX AT12

## SAW Bandpass Filter – eGSM Rx – RF

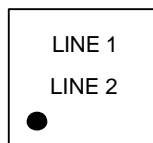
Specification (Rev 1)

February 25<sup>th</sup>, 2006

### Maximum Ratings

Operating Temperature Range	°C	[-20°C ; +85°C]
Storage Temperature Range	°C	[-40°C ; +85°C]

### Marking



Line 1: "P C" with P for the code product identification and C for the partner identifier

Line 2: "Y W" with Y for the last digit of the year and W for the week code (A to Z for the week 1 to 26 and a to z for the week 27 to 52).

### Packaging

1. Temex label
2. ESD Prevention label
3. Pb free label (if applicable)

