



# TMX AT06

SAW Bandpass Filter – Telecom - IF  
Preliminary Specification (Rev 1)

---

▣ Features.....	P01
▣ Package Drawing & Pin out.....	P01
▣ Technical Characteristics .....	P02
▣ Matching Network .....	P02
▣ Nominal Response.....	P03
▣ Maximum Ratings.....	P04
▣ Marking & Packaging .....	P04

# TMX AT06

## SAW Bandpass Filter – Telecom - IF

Preliminary Specification (Rev.1)- IF

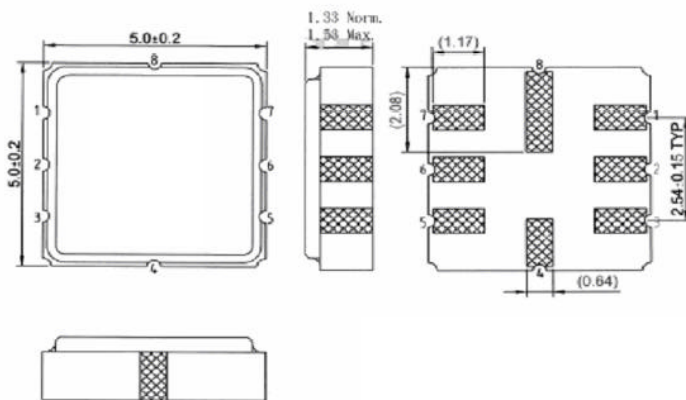
February 17<sup>th</sup>, 2006

### Features

- ❑ IFSAW Filter for Telecom
- ❑ 190 MHz Center Frequency
- ❑ 10 MHz useable Passband at 1dB
- ❑ 50 Ohms Single or Balance Configuration with external matching network
- ❑ Ceramic package for Surface Mounted Technology

### Package Drawing & Pin out

The product is in conformance with the European RoHs Regulation 2002/95.



### Pin Configuration

Input	3, 2
Input return	2
Output	7, 6
Output return	6
To be ground	1, 4, 5, 8

# TMX AT06

## SAW Bandpass Filter – Telecom - IF

Preliminary Specification (Rev.1)- IF

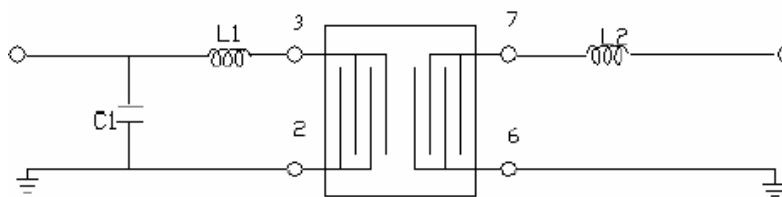
February 17<sup>th</sup>, 2006

### Technical Characteristics

Reference Temperature : +25°C

Electrical Parameters	Unit	Minimum	Typical <sup>(1)</sup>	Maximum
Source Impedance (single)	Ohms	-	50	-
Load Impedance (single)	Ohms	-	50	-
Center Frequency $f_c$	MHz	-	190	-
Bandwidth at 1dB	MHz	10	15	-
Bandwidth at 3dB	MHz	-	18	-
<b>Relative Attenuation from minimum insertion loss</b>				
DC to 100 MHz	dB	45	55	-
100 MHz to 149 MHz	dB	30	35	-
231 MHz to 250 MHz	dB	30	35	-
250 MHz to 300 MHz	dB	45	50	-
Maximum Insertion Loss within 185MHz~195MHz	dB	-	8	10
Ripple within 185MHz~195MHz	dB	-	0.8	1
Group Delay within 185MHz~195MHz	ns	-	46	100

### Matching Network



L1=100nH    C1=18pF    L2=47nH

# TMX AT06

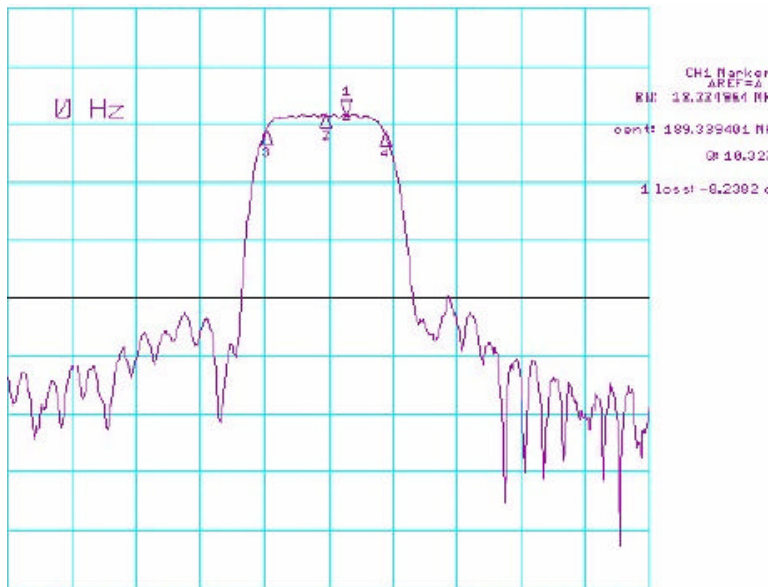
## SAW Bandpass Filter – Telecom - IF

Preliminary Specification (Rev.1)- IF

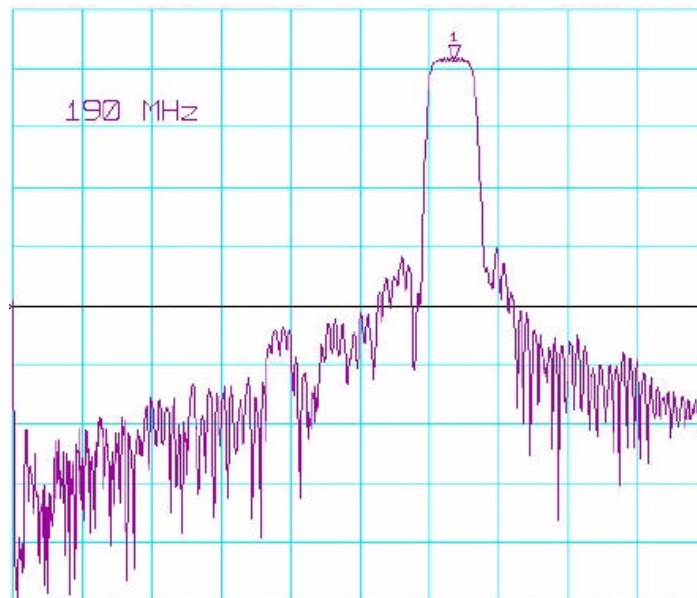
February 17<sup>th</sup>, 2006

**Nominal Frequency Response**

Frequency Response



Frequency Response



# TMX AT06

## SAW Bandpass Filter – Telecom - IF

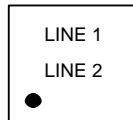
Preliminary Specification (Rev.1)- IF

February 17<sup>th</sup>, 2006

### Maximum Ratings

Storage Temperature Range	°C	[-40°C ; +85°C]
Operable temperature Range	°C	[-40°C ; +85°C]

### Marking



Line 1: "NNNN" is the reference to Temex Part number with only the last 4 digits

Line 2: RYWWZZ is the date code as:

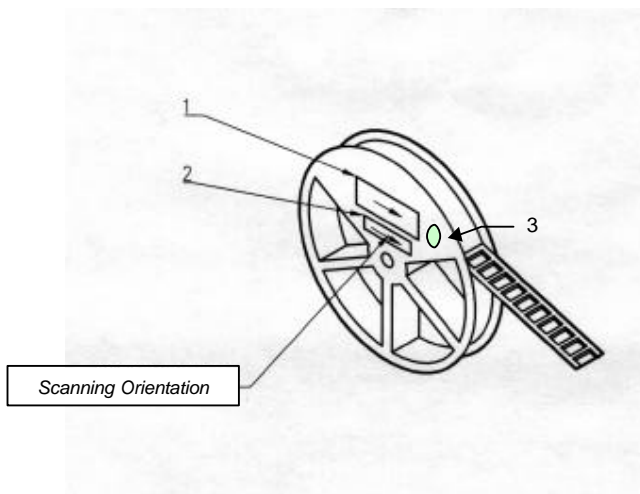
R: Partner identifier.

Y: last digit of the year.

WW: number of week in the year

ZZ: Lot number in the week (from AA to ZZ).

### Packaging



1 – Temex Label

2 – ESD Prevention Label

3 – Pb Free Label