

Tachometer electronic

2 limits, PNP, NPN or AC logic

Display LCD, 6-digits, programmable

TA134



TA134 - LCD-Tachometer

Technical data - electrical ratings

Voltage supply	22...50 VAC (50/60 Hz) 85...265 VAC (50/60 Hz) 12...30 VDC
Power consumption	5 VA, 5 W
Sensor supply	AC: 24 VDC \pm 20 % / 100 mA DC: 9...28 VDC / 100 mA
Display	LCD, 7-segment display, 2-lines, backlit
Number of digits	6-digits
Digit height	7 mm (count) 4 mm (preset)
Unit displayed	1/s, 1/min, 1/h programmable
Function	Tachometer
Measuring principle	Period duration measurement
Signal inputs	Comparator inputs
Input logic	NPN / PNP
Control inputs	3 programmable
Control functions	Stop, Hold, Print
Counting frequency	3 Hz, 25 Hz, 10 kHz programmable
Tacho frequency	25 Hz, 40 kHz programmable
Scaling factor	0.0001...9999.99
Data memory	>10 years in EEPROM
Outputs electronic	Optocoupler
Outputs relay	Normally open or closed, programmable
Interface	RS485
Standard DIN EN 61010-1	Protection class II Overvoltage category II Pollution degree 2
Emitted interference	DIN EN 61000-6-4
Interference immunity	DIN EN 61000-6-2

Features

- Tachometer for rotation speed and velocity
- Display 6-digits
- Connection: One-channel digital sensor or potential-free contact
- Two limits and scaling
- Batch counter with impulse evaluation
- Interface RS485

Technical data - electrical ratings

Programmable parameters	Measuring units 1/h, 1/min, 1/s Scaling factor Sensor logic Control inputs Count frequency
Approvals	UL/cUL, CE conform

Technical data - mechanical design

Operating temperature	0...+50 °C
Storing temperature	-20...+70 °C
Relative humidity	80 % non-condensing
E-connection	Plug-in screw terminals
Core cross-section	1.5 mm ²
Protection DIN EN 60529	IP 65 face with seal
Operation / keypad	Membrane with softkeys
Housing type	Housing for control panel installation
Dimensions W x H x L	48 x 48 x 100 mm
Cutout dimensions	45 x 45 mm (+0.6)
Installation depth	100 mm
Mounting	Front panel installation by clip frame
Weight approx.	150 g
Material	Housing: Makrolon 6485 (PC)

30/10/2008 Subject to modification in technic and design. Errors and omissions excepted.

Tachometer electronic

2 limits, PNP, NPN or AC logic
Display LCD, 6-digits, programmable

TA134

Part number

TA134. **AX01**

Voltage supply

- 1 22...50 VAC
- 2 85...265 VAC
- 3 12...30 VDC

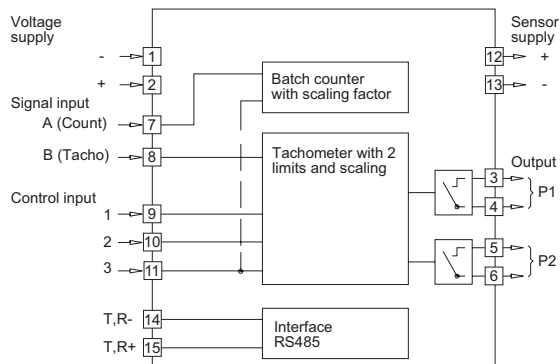
Outputs

- 1 Relay outputs
- 2 Optocoupler outputs

Interface

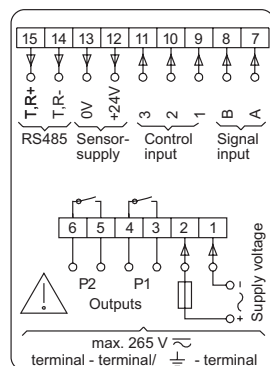
- 0 Without interface
- 1 RS485

Block circuit diagram

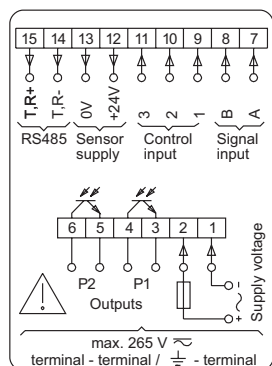


Connection diagram

Relay outputs



Electronic outputs



Trigger level

Comparator inputs	Input circuit
Inputs	PNP- / NPN- / AC-logic
Input level	Programmable
Input level Low	0...2 VDC
Input level High	3...40 VDC
Input resistance	3 kΩ

Relay outputs	Output circuit
Switching voltage max.	250 VAC / 110 VDC
Switching current max.	1 A
Switching capacity max.	150 VA / 30 W
Relay responding time	5 ms

Electronical outputs	Output circuit
	Optocoupler short-circuit proof
Switching voltage max.	40 V
Switching current max.	25 mA

Dimensions

