



Features:

- Motor: Brushless DC
- Motor Protection: Impedance Protected
- Bearing Type: Two Ball, 1B1S, Sleeve, or Hydro Dynamic
- Connection: UL 1007 AWG 26, 300mm Wire Leads
- Frame Material: Plastic UL94V-0
- Impeller Material: Plastic UL94V-0
- Operating Temp:
 - Two Ball: -10°C~70°C
 - 1B1S: -10°C~70°C
 - Sleeve: -10°C~60°C
 - Hydro Dynamic: -10°C~70°C
- Life Expectancy:
 - Two Ball: 70,000 Hours
 - 1B1S: 50,000 Hours
 - Sleeve: 30,000 Hours
 - Hydro Dynamic: 50,000 Hours



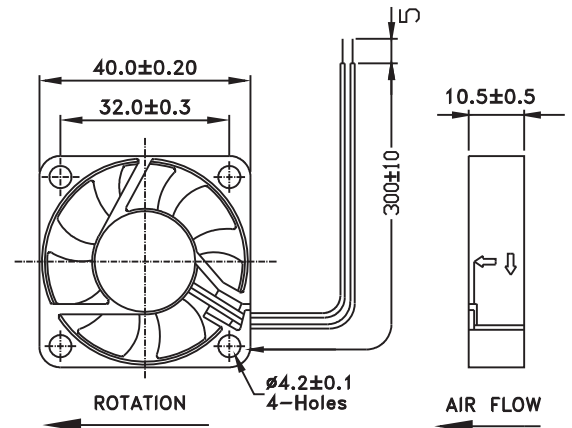
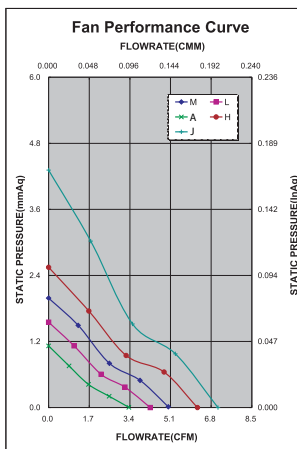
Fan-S Division



Model No.	Volt.	Current	Power	Rated Speed	Maximum AirFlow		Maximum Static Pressure		Noise Level	Weight
	(VDC)	(A)	(W)	(rpm)	(CMM)	(CFM)	(InAq)	(mmAq)	(dB/A)	(g)
FAD1-04010B * LW11	5	0.070	0.35	4200	0.119	4.200	0.060	1.524	21.0	17.0
FAD1-04010B * MW11	5	0.110	0.55	4800	0.142	5.000	0.078	1.981	22.0	17.0
FAD1-04010B * HW11	5	0.160	0.80	6000	0.175	6.200	0.100	2.540	26.0	17.0
FAD1-04010B * JW11	5	0.190	0.95	6800	0.198	7.000	0.170	4.318	29.0	17.0
FAD1-04010C * AW11	12	0.040	0.48	3300	0.093	3.300	0.044	1.117	14.0	17.0
FAD1-04010C * LW11	12	0.060	0.72	4200	0.119	4.200	0.060	1.524	21.0	17.0
FAD1-04010C * MW11	12	0.060	0.72	4800	0.142	5.000	0.078	1.981	22.0	17.0
FAD1-04010C * HW11	12	0.090	1.08	6000	0.175	6.200	0.100	2.540	26.0	17.0
FAD1-04010C * JW11	12	0.090	1.08	6800	0.198	7.000	0.170	4.318	29.0	17.0
FAD1-04010D * LW11	24	0.030	0.72	4200	0.119	4.200	0.060	1.524	21.0	17.0
FAD1-04010D * MW11	24	0.040	0.96	4800	0.142	5.000	0.078	1.981	22.0	17.0
FAD1-04010D * HW11	24	0.060	1.44	6000	0.175	6.200	0.100	2.540	26.0	17.0
FAD1-04010D * JW11	24	0.080	1.92	6800	0.198	7.000	0.170	4.318	29.0	17.0

* Indicates "B" (Ball Bearing), "A" (1B1S), "S" (Sleeve), or "H" (Hydro Dynamic)

Noise is measured at the distance of one (1) meter from the axis of intake.



ISO-9001 Company

Qualtek
Electronics Corporation

www.qualtekusa.com