

HD14007UB

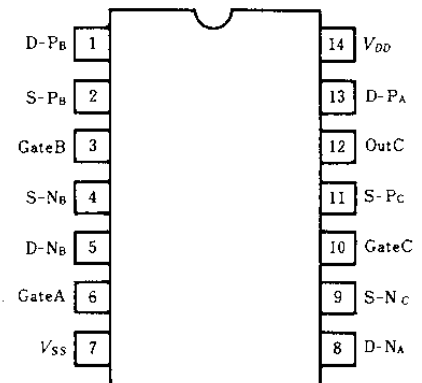
Dual Complementary Pair plus Inverter

The HD14007UB multi-purpose device consists of three N-channel and three P-channel enhancement mode devices packaged to provide access to each device. These versatile parts are useful in inverter circuits, pulse-shapers, linear amplifiers, high input impedance amplifiers, threshold detectors, transmission gating, and functional gating.

FEATURES

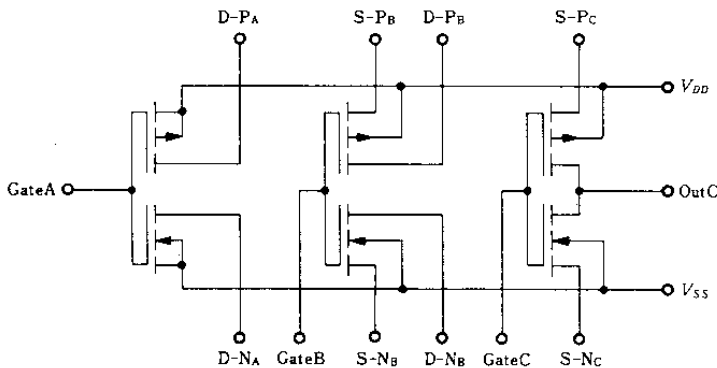
- Quiescent Current = 0.5nA/pkg typ @5V
- Supply Voltage Range = 3 to 18V
- Pin-for-Pin Replacement for CD4 007UB and MC14007UB

PIN ARRANGEMENT



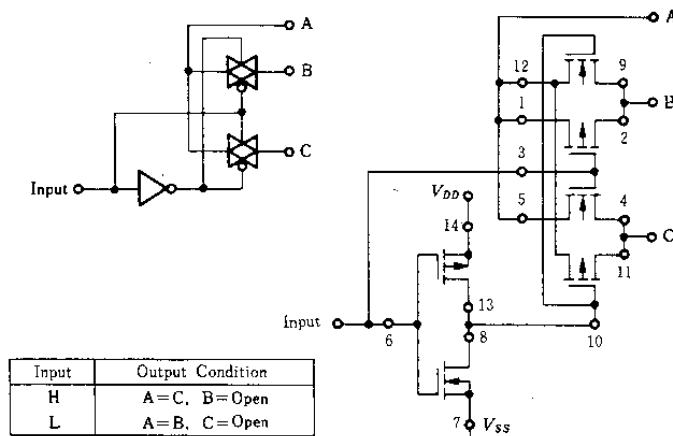
(Top View)

CIRCUIT SCHEMATIC



TYPICAL APPLICATION

(2-input Analog Multiplexer)

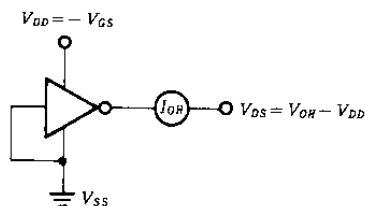


Input	Output Condition
H	A = C, B = Open
L	A = B, C = Open

Substrates of P-channel devices internally connected to V_{DD} .
Substrates of N-channel devices internally connected to V_{SS} .

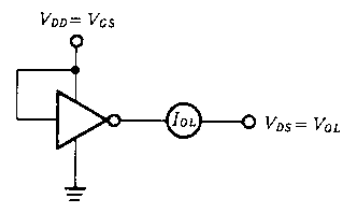
DC CHARACTERISTIC TEST CIRCUIT

• I_{OH}



All unused inputs connected to ground.

• I_{OL}



All unused inputs connected to ground.

■ ELECTRICAL CHARACTERISTICS

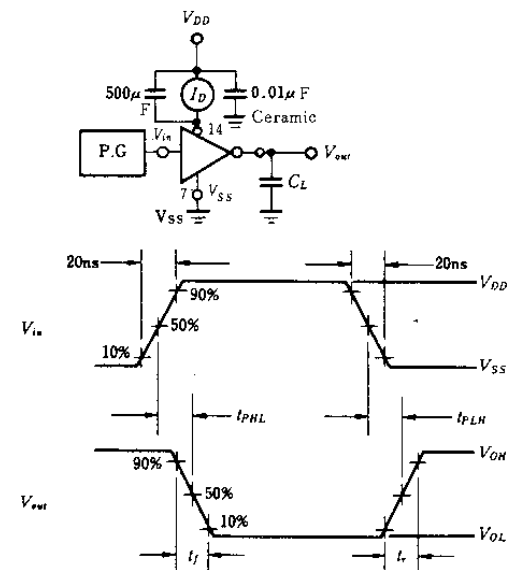
Characteristic	Symbol	V _{DD} (V)	Test Conditions	-40°C		25°C			85°C		Unit
				min	max	min	typ	max	min	max	
Output Voltage	V _{OL}	5.0	V _{in} = V _{DD} or 0	—	0.05	—	0	0.05	—	0.05	V
		10		—	0.05	—	0	0.05	—	0.05	
		15		—	0.05	—	0	0.05	—	0.05	
	V _{OH}	5.0	V _{in} = 0 or V _{DD}	4.95	—	4.95	5.0	—	4.95	—	V
		10		9.95	—	9.95	10	—	9.95	—	
		15		14.95	—	14.95	15	—	14.95	—	
Input Voltage	V _{IL}	5.0	V _{out} = 4.5 or 0.5V	—	1.0	—	2.25	1.0	—	1.0	V
		10	V _{out} = 9.0 or 1.0V	—	2.0	—	4.50	2.0	—	2.0	
		15	V _{out} = 13.5 or 1.5V	—	2.5	—	6.75	2.5	—	2.5	
	V _{IH}	5.0	V _{out} = 0.5 or 4.5V	4.0	—	4.0	2.75	—	4.0	—	V
		10	V _{out} = 1.0 or 9.0V	8.0	—	8.0	5.50	—	8.0	—	
		15	V _{out} = 1.5 or 13.5V	12.5	—	12.5	8.25	—	12.5	—	
Output Drive Current	I _{OH}	5.0	V _{OH} = 2.5V	-1.3	—	-1.1	-5.0	—	-0.9	—	mA
		10	V _{OH} = 9.5V	-0.65	—	-0.55	-2.5	—	-0.45	—	
		15	V _{OH} = 13.5V	-2.4	—	-2.0	-10	—	-1.6	—	
	I _{OL}	5.0	V _{OL} = 0.4V	0.52	—	0.44	1.0	—	0.36	—	mA
		10	V _{OL} = 0.5V	1.3	—	1.1	2.5	—	0.9	—	
		15	V _{OL} = 1.5V	4.0	—	3.3	10	—	2.7	—	
Input Current	I _{in}	15		—	±0.3	—	±0.00001	±0.3	—	±1.0	μA
Input Capacitance	C _{in}		V _{in} = 0	—	—	—	5.0	7.5	—	—	pF
Quiescent Current	I _{DD}	5.0	Zero Signal, per Package	—	0.5	—	0.0005	0.5	—	3.8	μA
		10		—	1.0	—	0.0010	1.0	—	7.5	
		15		—	2.0	—	0.0015	2.0	—	15	
Total Supply Current*	I _T	5.0	Dynamic + I _{DD} , per Gate, C _L = 50pF, f = 1kHz	—	—	—	0.72	—	—	—	μA
		10		—	—	—	1.44	—	—	—	
		15		—	—	—	2.16	—	—	—	

* To calculate total supply current at frequency other than 1kHz.
 @ V_{DD} = 5.0V I_T = (0.72μA/kHz)f + I_{DD}, @ V_{DD} = 10V I_T = (1.44μA/kHz)f + I_{DD}, @ V_{DD} = 15V I_T = (2.16μA/kHz)f + I_{DD}

■ SWITCHING CHARACTERISTICS (C_L = 50pF, T_a = 25°C)

Characteristic	Symbol	V _{DD} (V)	typ	max	Unit
Output Rise Time	t _r	5.0	90	180	ns
		10	45	90	
		15	35	70	
Output Fall Time	t _f	5.0	75	150	ns
		10	40	80	
		15	30	60	
Propagation Delay Time	t _{PLH}	5.0	60	130	ns
		10	30	75	
		15	25	55	
	t _{PHL}	5.0	60	130	ns
		10	30	75	
		15	25	55	

■ SWITCHING TIME TEST CIRCUIT



■ DC CHARACTERISTICS ($V_{CC}=5V \pm 10\%$, $T_a = -40$ to $+85^\circ C$)

Item	Symbol	Test Condition	min	typ	max	Unit	
Input Voltage	V_{IH}	$V_{out}=0.1V$ or $V_{CC}-0.1V$,	2.0	—	—	V	
	V_{IL}	$I_{out} \leq 20\mu A$	—	—	0.8	V	
Output Voltage	V_{OH}	$V_{in}=V_{IH}$ or V_{IL} , $I_{out} \leq 20\mu A$	$V_{CC}-0.05$	V_{CC}	—	V	
	V_{OL}		—	0.0	0.05	V	
Output Current	I_{OH}	$V_{in}=V_{IH}$ or V_{IL} , $V_{out}=V_{CC}-0.8V$	—	—	-6.0	mA	
	I_{OL}	$V_{in}=V_{IH}$ or V_{IL} , $V_{out}=0.4V$	6.0	—	—	mA	
Input Current	I_{in}	$V_{in}=V_{CC}$ or GND	—	± 0.00001	± 1.0	μA	
3-state Leakage Current	I_{TL}		$T_a = 25^\circ C$	—	—	0.5	μA
			$T_a = 85^\circ C$	—	—	5.0	μA
Quiescent Current	I_{CC}	$V_{in}=V_{CC}$ or GND, $I_{out}=0\mu A$	$T_a = 25^\circ C$	—	—	4.0	μA
			$T_a = 85^\circ C$	—	—	40	μA

■ AC CHARACTERISTICS ($V_{CC}=5V$, $T_a=25^\circ C$, Input $t_r=t_f=6ns$)

Item	Symbol	Test Condition	min	typ	max	Unit
Maximum Clock Frequency	f_{max}	$C_L=50pF$	—	—	30	MHz
Propagation Delay Time	t_{PLH}	$C_L=50pF$	—	—	28	ns
	t_{PHL}		—	—	28	ns
Output Enable Time	t_{ZL}	$C_L=50pF$, $R_L=1k\Omega$	—	—	30	ns
	t_{ZH}		—	—	30	
Output Disable Time	t_{LZ}	$C_L=50pF$, $R_L=1k\Omega$	—	—	25	ns
	t_{HZ}		—	—	25	
Setup Time	t_{su}		20	—	—	ns
Hold Time	t_h		—	—	—	ns
Pulse Width	t_w		16	—	—	ns
Input Capacitance	C_{in}		—	—	10	pF

● Switching Waveforms

Figure 1

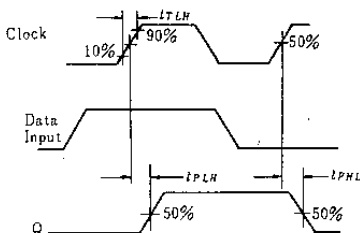


Figure 2a

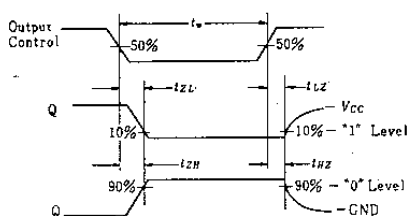


Figure 2b - Load Circuit for Three-State Outputs

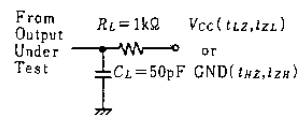
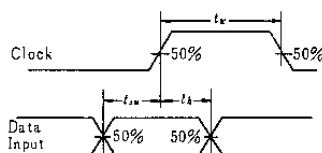
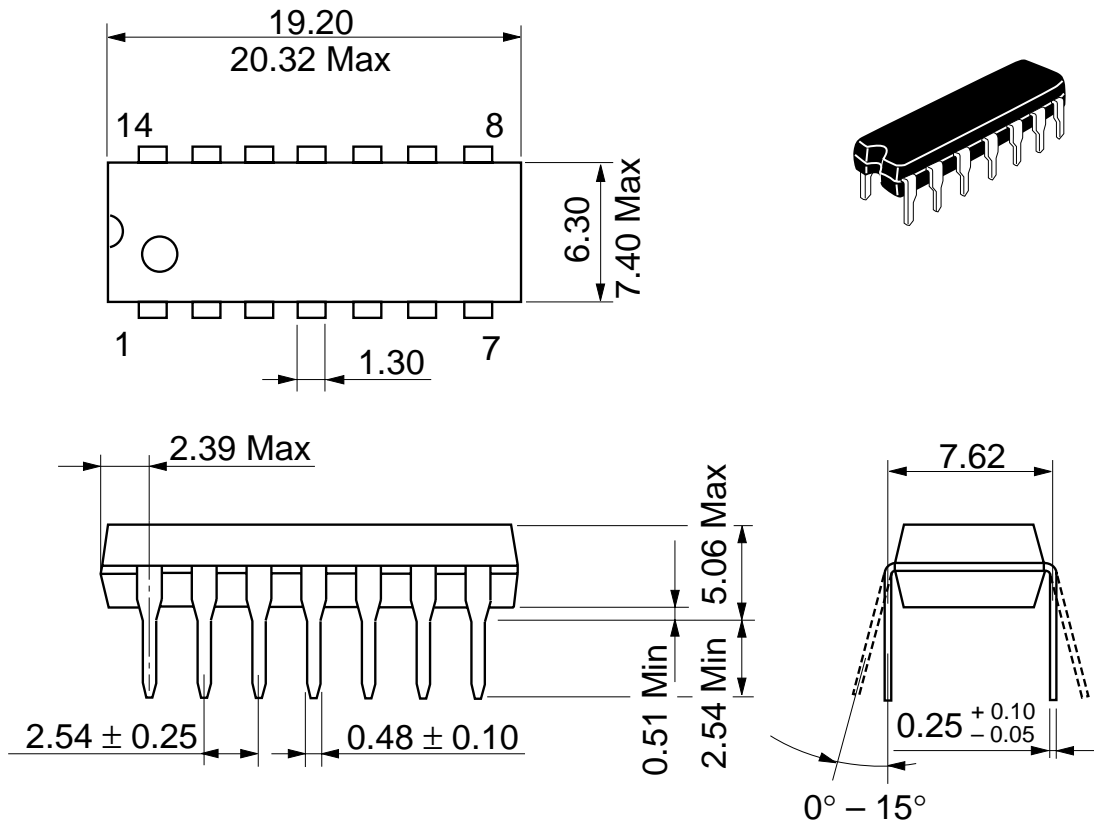


Figure 3



*Outputs Q shown are for the HCT374. Outputs for the HCT534 are the inversion of those for the HCT374.

Unit: mm



Hitachi Code	DP-14
JEDEC	Conforms
EIAJ	Conforms
Weight (reference value)	0.97 g

Cautions

1. Hitachi neither warrants nor grants licenses of any rights of Hitachi's or any third party's patent, copyright, trademark, or other intellectual property rights for information contained in this document. Hitachi bears no responsibility for problems that may arise with third party's rights, including intellectual property rights, in connection with use of the information contained in this document.
2. Products and product specifications may be subject to change without notice. Confirm that you have received the latest product standards or specifications before final design, purchase or use.
3. Hitachi makes every attempt to ensure that its products are of high quality and reliability. However, contact Hitachi's sales office before using the product in an application that demands especially high quality and reliability or where its failure or malfunction may directly threaten human life or cause risk of bodily injury, such as aerospace, aeronautics, nuclear power, combustion control, transportation, traffic, safety equipment or medical equipment for life support.
4. Design your application so that the product is used within the ranges guaranteed by Hitachi particularly for maximum rating, operating supply voltage range, heat radiation characteristics, installation conditions and other characteristics. Hitachi bears no responsibility for failure or damage when used beyond the guaranteed ranges. Even within the guaranteed ranges, consider normally foreseeable failure rates or failure modes in semiconductor devices and employ systemic measures such as fail-safes, so that the equipment incorporating Hitachi product does not cause bodily injury, fire or other consequential damage due to operation of the Hitachi product.
5. This product is not designed to be radiation resistant.
6. No one is permitted to reproduce or duplicate, in any form, the whole or part of this document without written approval from Hitachi.
7. Contact Hitachi's sales office for any questions regarding this document or Hitachi semiconductor products.

HITACHI

Hitachi, Ltd.

Semiconductor & Integrated Circuits.
Nippon Bldg., 2-6-2, Ohte-machi, Chiyoda-ku, Tokyo 100-0004, Japan
Tel: Tokyo (03) 3270-2111 Fax: (03) 3270-5109

URL NorthAmerica : <http://semiconductor.hitachi.com/>
 Europe : <http://www.hitachi-eu.com/hel/ecg>
 Asia (Singapore) : <http://www.has.hitachi.com.sg/grp3/sicd/index.htm>
 Asia (Taiwan) : http://www.hitachi.com.tw/E/Product/SICD_Frame.htm
 Asia (HongKong) : <http://www.hitachi.com.hk/eng/bo/grp3/index.htm>
 Japan : <http://www.hitachi.co.jp/Sicd/indx.htm>

For further information write to:

Hitachi Semiconductor
(America) Inc.
179 East Tasman Drive,
San Jose, CA 95134
Tel: <1> (408) 433-1990
Fax: <1> (408) 433-0223

Hitachi Europe GmbH
Electronic components Group
Dornacher StraÙe 3
D-85622 Feldkirchen, Munich
Germany
Tel: <49> (89) 9 9180-0
Fax: <49> (89) 9 29 30 00

Hitachi Europe Ltd.
Electronic Components Group.
Whitebrook Park
Lower Cookham Road
Maidenhead
Berkshire SL6 8YA, United Kingdom
Tel: <44> (1628) 585000
Fax: <44> (1628) 778322

Hitachi Asia Pte. Ltd.
16 Collyer Quay #20-00
Hitachi Tower
Singapore 049318
Tel: 535-2100
Fax: 535-1533

Hitachi Asia Ltd.
Taipei Branch Office
3F, Hung Kuo Building, No.167,
Tun-Hwa North Road, Taipei (105)
Tel: <886> (2) 2718-3666
Fax: <886> (2) 2718-8180

Hitachi Asia (Hong Kong) Ltd.
Group III (Electronic Components)
7/F., North Tower, World Finance Centre,
Harbour City, Canton Road, Tsim Sha Tsui,
Kowloon, Hong Kong
Tel: <852> (2) 735 9218
Fax: <852> (2) 730 0281
Telex: 40815 HITEC HX

Copyright ' Hitachi, Ltd., 1999. All rights reserved. Printed in Japan.

HITACHI