



SANYO Semiconductors

DATA SHEET

LA6565 — Monolithic Linear IC For CD and DVD players 5-channel Driver (BTL:4ch,H-bridge:1ch)

Overview

The LA6565 is a 4-channel BTL plus 1-channel H-bridge actuator driver developed for use in CD and DVD drives. The BTL driver channels 1 and 2 include built-in operational amplifiers allowing the LA6565 to support a wide range of applications.

Functions

- Five power amplifier channels on a single chip (Bridge connection (BTL): 4-channels, H-bridge: 1-channel)
- I_O max: 1A
- Built-in level shifters (except for the H bridge channel)
- Muting circuits (output on/off, two systems)
(The muting circuits operate for the BTL amplifiers. They do not apply to the H-bridge or regulator circuits.)
- Built-in regulator (Uses an external PNP-transistor and is set with an external resistor.)
- Output voltage setting function (loading driver)
- Built-in independent operational amplifiers
- Thermal shutdown circuit

Specifications

Maximum Ratings at $T_a = 25^\circ\text{C}$

Parameter	Symbol	Conditions	Ratings	Unit
Maximum supply voltage	V_{CC} max		14	V
Maximum output current	I_O max		1	A
Maximum input voltage	V_{INB}		13	V
MUTE pin voltage	V_{MUTE}		13	V
Allowable power dissipation	P_d max	Independent IC	0.8	W
		Mounted on a specified board *	2	W
Operating temperature	T_{opr}		-40 to +85	$^\circ\text{C}$
Storage temperature	T_{stg}		-55 to +150	$^\circ\text{C}$

* Specified board: 114.3mm × 76.1mm × 1.6mm, glass epoxy board.

■ Any and all SANYO Semiconductor Co.,Ltd. products described or contained herein are, with regard to "standard application", intended for the use as general electronics equipment (home appliances, AV equipment, communication device, office equipment, industrial equipment etc.). The products mentioned herein shall not be intended for use for any "special application" (medical equipment whose purpose is to sustain life, aerospace instrument, nuclear control device, burning appliances, transportation machine, traffic signal system, safety equipment etc.) that shall require extremely high level of reliability and can directly threaten human lives in case of failure or malfunction of the product or may cause harm to human bodies, nor shall they grant any guarantee thereof. If you should intend to use our products for applications outside the standard applications of our customer who is considering such use and/or outside the scope of our intended standard applications, please consult with us prior to the intended use. If there is no consultation or inquiry before the intended use, our customer shall be solely responsible for the use.

■ Specifications of any and all SANYO Semiconductor Co.,Ltd. products described or contained herein stipulate the performance, characteristics, and functions of the described products in the independent state, and are not guarantees of the performance, characteristics, and functions of the described products as mounted in the customer's products or equipment. To verify symptoms and states that cannot be evaluated in an independent device, the customer should always evaluate and test devices mounted in the customer's products or equipment.

SANYO Semiconductor Co., Ltd.

www.semiconductor-sanyo.com/network

LA6565

Recommended Operating Conditions at $T_a = 25^\circ\text{C}$

Parameter	Symbol	Conditions	Ratings	Unit
Supply voltage	V_{CC}		5.6 to 13	V

Electrical Characteristics at $T_a = 25^\circ\text{C}$, $V_{CC1} = V_{CC2} = 8\text{V}$, $V_{REF} = 2.5\text{V}$

Parameter	Symbol	Conditions	Ratings			Unit
			min	typ	max	
Overall						
Quiescent current when o	I_{CC-ON}	BTL amplifier output on, loading block off *1		30	50	mA
Quiescent current when off	I_{CC-OFF}	All outputs off *1		10	15	mA
Thermal shutdown circuit operating temperature	TSD	*7	150	175	200	$^\circ\text{C}$
VREF Amplifier						
VREF amplifier offset voltage	VREF-OFFSET		-10		+10	mV
VREF input voltage range	VREF-IN		1		$V_{CC}-1.5$	V
VREF-OUT output current	I-VREF-OUT			1		mA
Operational Amplifier (Independent)						
Input voltage range	$V_{IN(OP)}$		0		$V_{CC}-1.5$	V
Output current (sink)	SINK(OP)		2			mA
Output current (source)	SOURCE(OP)		300	500		μA
Output offset voltage	$V_{OFF(OP)}$		-10		+10	mV
Residual current (sink)	$V_{CE-SINK(OP)}$	$I_O(\text{sink side}) = 1\text{mA}$			0.6	V
BTL Amplifier Block (Channels 1 to 4)						
Output offset voltage	V_{OFF}	The voltage difference between each channel outputs *2, *3	-50		+50	mV
Input voltage range	V_{IN}	Input voltage range of the input operational amplifiers	0		$V_{CC}-1.5$	V
Output voltage	V_O	$I_O = 0.5\text{A}$, the voltage between V_{O^+} and V_{O^-} in each channel	5.7	6.2		V
Closed circuit voltage gain	VG	The gain from the input to the output with the input amplifier set to 0dB *2, *3	7.2	8	9	times
Slew rate SR	SR	For the independent amplifier. Times 2 when between outputs.*7		0.5		$\text{V}/\mu\text{s}$
Muting on voltage	$V_{MUTE-ON}$	The output on voltage, for each mute function *4	2.5			V
Muting off voltage	$V_{MUTE-OFF}$	The output off voltage, for each mute function *4			0.5	V
Input Amplifier Block (Channels 1 and 2)						
Input voltage range	V_{IN-OP}		0		$V_{CC}-1.5$	V
Output current (sink)	SINK-OP		2			mA
Output current (source)	SOURCE-OP	*5	300	500		μA
Output offset voltage	V_{OFF-OP}		-10		+10	mV
Loading Block (Channel 5, H bridge circuit)						
Output voltage	V_{O-LOAD}	For forward/reverse operation, $I_O = 0.5\text{A}$, $V_{CONT} = V_{CC}^*$	5.7	6.5		V
Braking output saturation voltage	$V_{CE-BREAK}$	The output voltage during braking *6			0.3	V
Low-level input voltage	V_{IN-L}				1	V
High-level input voltage	V_{IN-H}		2			V
Power Supply Block (Uses an external 2SB632K PNP-transistor)						
Power supply output	V_{OUT}	$I_O = 200\text{mA}$	1.260	1.285	1.310	V
REG-IN sink current	REG-IN-SINK	External PNP-transistor base current	5	10		mA
Line regulation	ΔV_{OLN}	$6\text{V} \leq V_{CC} \leq 12\text{V}$, $I_O = 200\text{mA}$		10	100	mV
Load regulation	ΔV_{OLD}	$5\text{mA} \leq I_O \leq 200\text{mA}$		10	100	mV

*1: The total current dissipation for V_{CCP1} , V_{CCP2} , and V_{CCS} with no load.

*2: The input amplifier is a buffer amplifier.

*3: The voltage difference between the two sides of the load (12Ω).

*4: When the MUTE pin is high, the output will be on, and when low, the output will be off (high-impedance state).

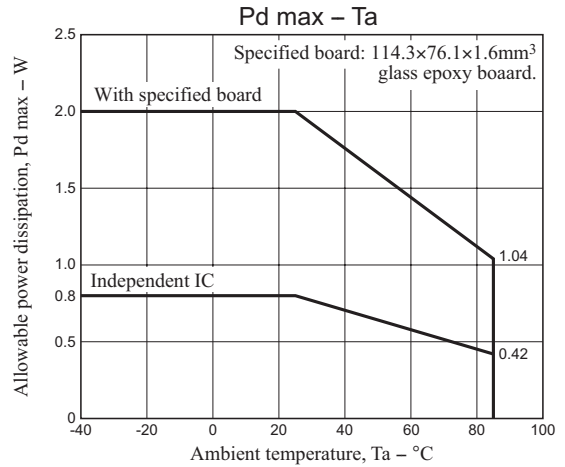
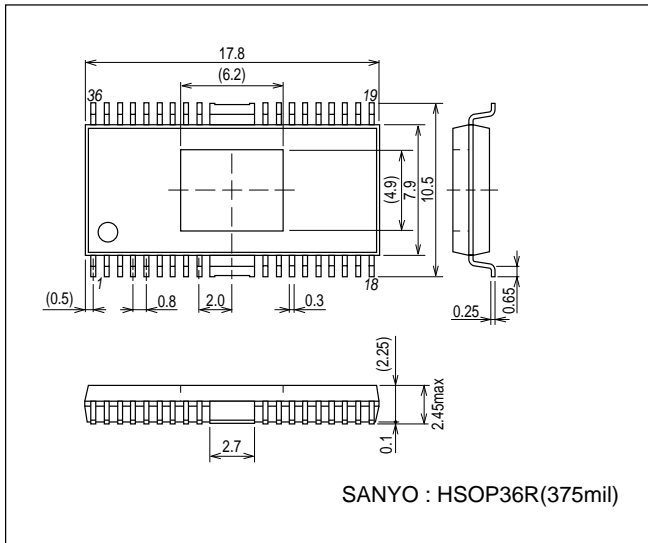
*5: The input operational amplifier source is constant current. Since the $11\text{k}\Omega$ resistor between this and the next stage functions as the load, the input operational amplifier gain must be set carefully.

*6: The braking operation is a short (to ground) braking operation. The sink side output is on at this time.

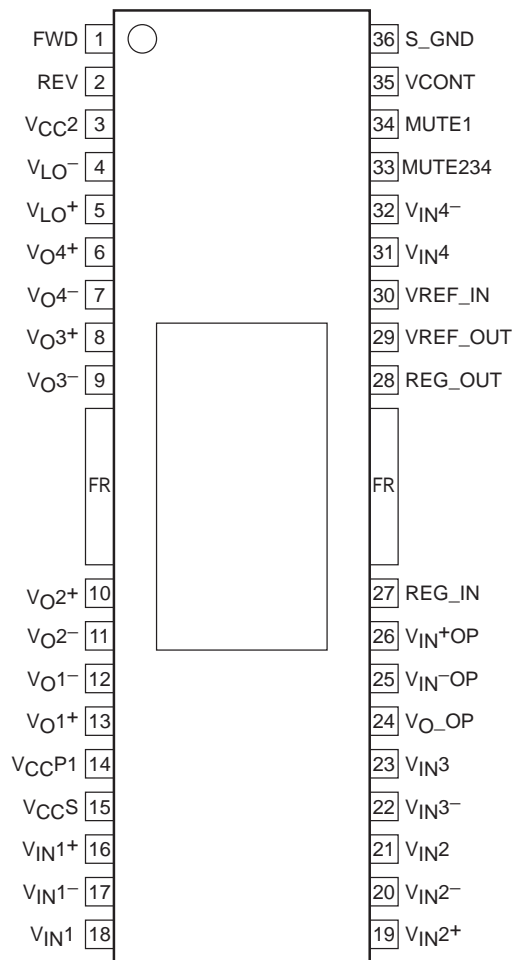
*7: Design guarantee.

Package Dimensions

unit : mm (typ)
3251

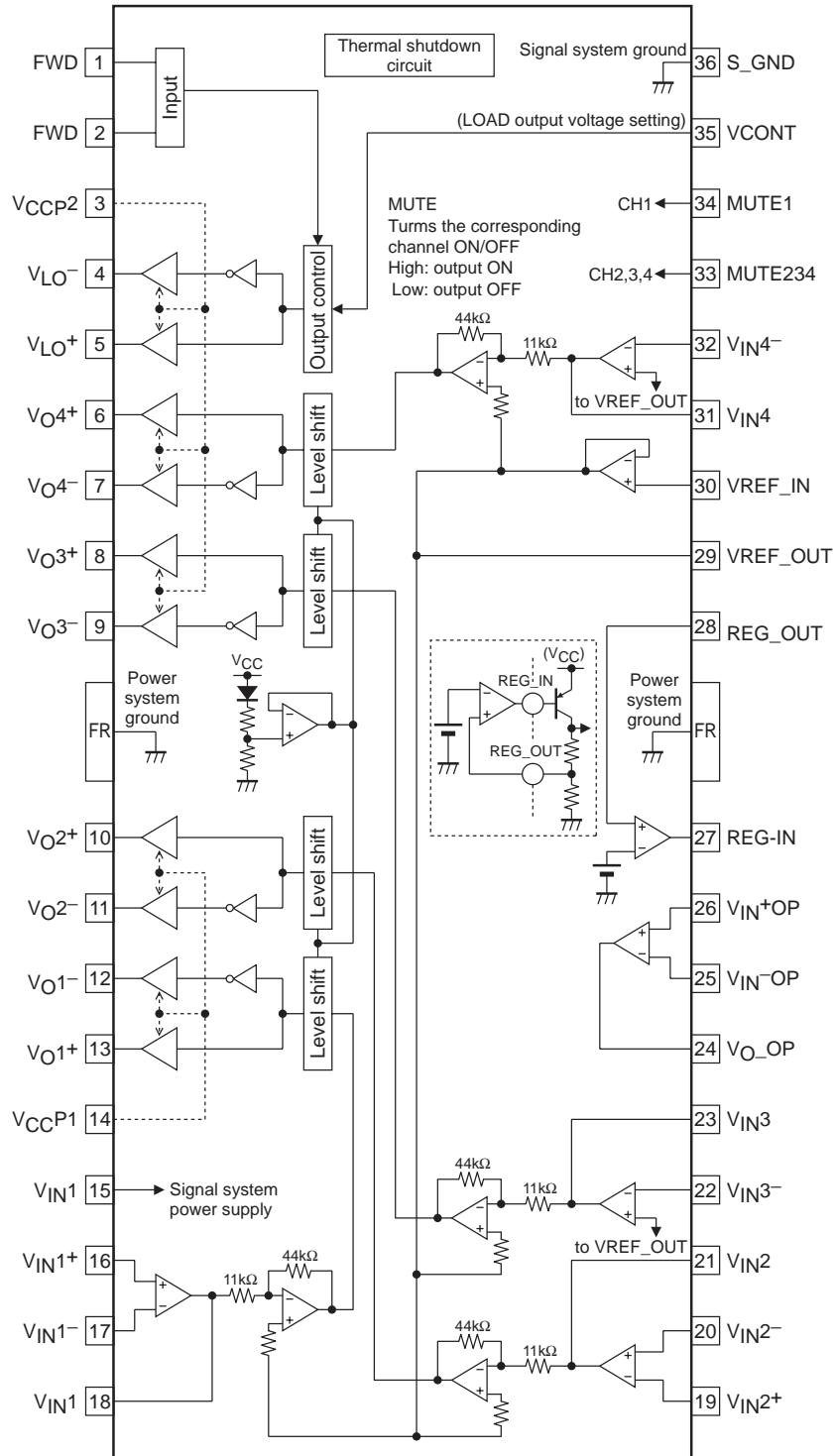


Pin Assignment



Top View

Block Diagram



LA6565

Pin Function

Pin No.	Pin name	Pin function
1	FWD	Loading output direction switching (FWD). Loading system logic input.
2	REV	Loading output direction switching (REV). Loading system logic input.
3	V _{CC2}	Channels 3, 4, and loading power stage power supply.
4	V _{LO} ⁻	Loading output (-)
5	V _{LO} ⁺	Loading output (+)
6	V _{O4} ⁺	Channel 4 output (+)
7	V _{O4} ⁻	Channel 4 output (-)
8	V _{O3} ⁺	Channel 3 output (+)
9	V _{O3} ⁻	Channel 3 output (-)
10	V _{O2} ⁺	Channel 2 output (+)
11	V _{O2} ⁻	Channel 2 output (-)
12	V _{O1} ⁻	Channel 1 output (-)
13	V _{O1} ⁺	Channel 1 output (+)
14	V _{CCP1}	Channels 1 and 2 power stage power supply.
15	V _{CCS}	Signal system power supply.
16	V _{IN1} ⁺	Channel 1 input. Input operational amplifier + input.
17	V _{IN1} ⁻	Channel 1 input. Input operational amplifier - input.
18	V _{IN1}	Channel 1 input. Input operational amplifier output.
19	V _{IN2} ⁺	Channel 2 input. Input operational amplifier + input.
20	V _{IN2} ⁻	Channel 2 input. Input operational amplifier - input.
21	V _{IN2}	Channel 2 input. Input operational amplifier output.
22	V _{IN3} ⁻	Channel 3 input. Input operational amplifier - input.
23	V _{IN3}	Channel 3 input. Input operational amplifier output.
24	V _O -OP	Operational amplifier output.
25	V _{IN} ⁻ OP	Operational amplifier - input
26	V _{IN} ⁺ OP	Operational amplifier + input
27	REG_IN	Regulator error amplifier output. Connect this pin to the base of the external PNP-transistor.
28	REG_OUT	Regulator error amplifier input (+).
29	VREF_OUT	VREF amplifier (voltage follower) output.
30	VREF_IN	VREF input. Apply the external reference voltage to this pin.
31	V _{IN4}	Channel 4 input. Input operational amplifier output.
32	V _{IN4} ⁻	Channel 4 input. Input operational amplifier - input.
33	MUTE234	Controls the on/off state of channels 2, 3, and 4.
34	MUTE1	Channel 1 output on/off control
35	VCONT	Loading block output high-level voltage setting.
36	S_GND	Signal system ground.

* center frame (FR) becomes GND for the power system, Set this to the minimum potential together with S_GND (signal system ground).

Pin Description

Pin No.	Pin name	Function	Description	Equivalent circuit
16 17 18 19 20 21 22 23 32 31 26 25 24	V_{IN1+} V_{IN1-} V_{IN1} V_{IN2+} V_{IN2-} V_{IN2} V_{IN3-} V_{IN3} V_{IN4-} V_{IN4} V_{IN+OP} V_{IN-OP} V_{O_OP}	Input (CH1 to 4)	Inputs (channels 1 to 4 and the independent operational amplifier)	
1 2	FWD REV	Input (H-bridge)	Logic inputs. The IC is set to one of four modes, forward, reverse, brake, and free running by the combination of high and low values applied to these pins.	
12 13 10 11 8 9 6 7	V_{O1+} V_{O1-} V_{O2+} V_{O2-} V_{O3+} V_{O3-} V_{O4+} V_{O4-}	Output (BTL-AMP)	Channel 1 to 4 outputs.	
4 5	V_{LO-} V_{LO+}	Output (H-bridge)	H-bridge (loading) output.	
35	VCONT	Input	Loading output setting.	
33 34	MUTE234 MUTE1	MUTE	BTL amplifier output ON/OFF state setting. High: output ON Low: output OFF	

LA6565

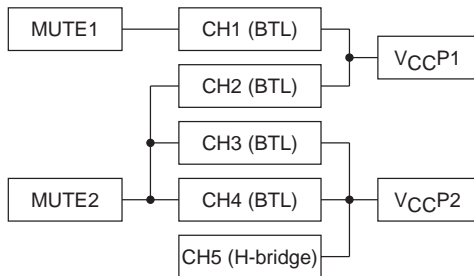
Truth Table (Loading (H bridge) block)

FWD	REV	V _{LO} ⁺	V _{LO} ⁻	Loading output
L	L	OFF	OFF	OFF *1
	H	H	L	Forward
H	L	L	H	Reverse
	H	L	L	Short-circuit braking *2

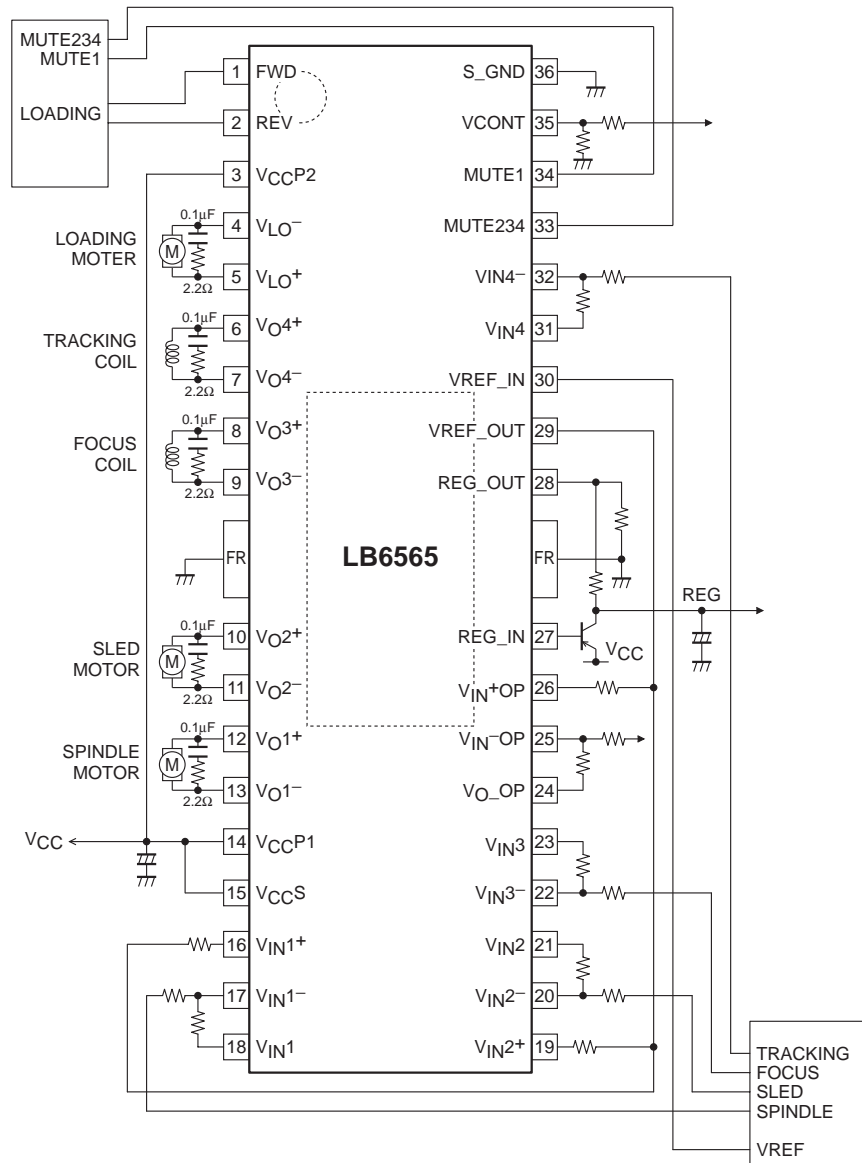
*1. The output goes to the high-impedance state.

*2. In braking mode, the sink side transistor is turned on (for short-circuit braking). The V_{LO}⁺ and V_{LO}⁻ pins go to a level that is essentially the ground level.

Relationship between the MUTE pins and the power supply systems (V_{CCP}^{*})



Application Circuit Example



- SANYO Semiconductor Co.,Ltd. assumes no responsibility for equipment failures that result from using products at values that exceed, even momentarily, rated values (such as maximum ratings, operating condition ranges, or other parameters) listed in products specifications of any and all SANYO Semiconductor Co.,Ltd. products described or contained herein.
- SANYO Semiconductor Co.,Ltd. strives to supply high-quality high-reliability products, however, any and all semiconductor products fail or malfunction with some probability. It is possible that these probabilistic failures or malfunction could give rise to accidents or events that could endanger human lives, trouble that could give rise to smoke or fire, or accidents that could cause damage to other property. When designing equipment, adopt safety measures so that these kinds of accidents or events cannot occur. Such measures include but are not limited to protective circuits and error prevention circuits for safe design, redundant design, and structural design.
- In the event that any or all SANYO Semiconductor Co.,Ltd. products described or contained herein are controlled under any of applicable local export control laws and regulations, such products may require the export license from the authorities concerned in accordance with the above law.
- No part of this publication may be reproduced or transmitted in any form or by any means, electronic or mechanical, including photocopying and recording, or any information storage or retrieval system, or otherwise, without the prior written consent of SANYO Semiconductor Co.,Ltd.
- Any and all information described or contained herein are subject to change without notice due to product/technology improvement, etc. When designing equipment, refer to the "Delivery Specification" for the SANYO Semiconductor Co.,Ltd. product that you intend to use.
- Information (including circuit diagrams and circuit parameters) herein is for example only; it is not guaranteed for volume production.
- Upon using the technical information or products described herein, neither warranty nor license shall be granted with regard to intellectual property rights or any other rights of SANYO Semiconductor Co.,Ltd. or any third party. SANYO Semiconductor Co.,Ltd. shall not be liable for any claim or suits with regard to a third party's intellectual property rights which has resulted from the use of the technical information and products mentioned above.

This catalog provides information as of February, 2009. Specifications and information herein are subject to change without notice.