

HIGH FREQUENCY MHZ SMD CERAMIC RESONATORS

ASCR



Size Varies

FEATURES:

- Low resonant impedance
- Low Cost
- Built-in load capacitance
- Excellent environmental resistance
- Reflow capable

APPLICATIONS:

- Remote controls
- Mobile phones, DVD, CD-Rom
- Electric appliances
- Microprocessor clocks

ELECTRICAL SPECIFICATIONS:

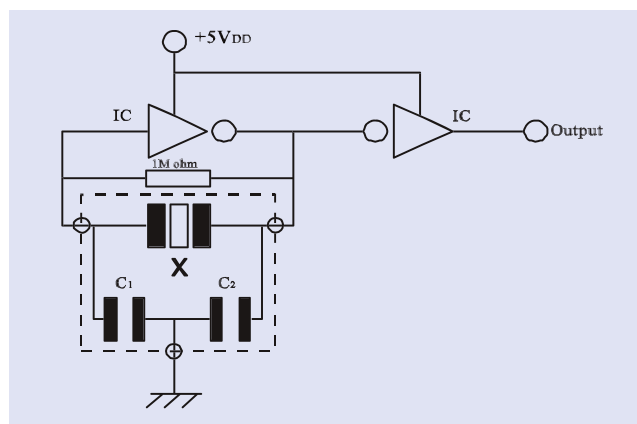
| Part Number (XX.XX freq. in MHz) | Frequency Range | Package Style | Parameters |
|-------------------------------------|----------------------|---------------|--|
| ASCR XX.XX MGC | 2.00 MHz - 8.00 MHz | 7434 | Operating Temp.: -20°C to +80°C Storage Temperature: -55°C to +85°C Frequency Tolerance: ± 0.5% max. Frequency Stability: ± 0.3% max Aging in 10 Years: ± 0.3% max. |
| ASCR XX.XX MTS | 7.00 MHz - 13.00 MHz | 4741 | |
| ASCR XX.XX MTV | 7.00 MHz - 13.00 MHz | 3731 | |
| ASCR XX.XX MXS | 13.01 MHz - 50.0 MHz | 4741 | |
| ASCR XX.XX MXV | 13.01 MHz - 50.0 MHz | 3731 | |
| ASCR XX.XX MSS | 20.0 MHz - 50.0 MHz | 2520 | |

| Item | Requirement |
|--|-----------------------------|
| Oscillation Frequency (Fosc) | 4.00MHz±0.5% |
| Resonant Impedance (Ro) | 30Ω max. |
| Temperature Coefficient of Oscillation Frequency | ±0.3% max. (-20°C to +80°C) |
| Withstanding Voltage | 100VDC 5 sec. max. |
| Rating Voltage | 6 V.D.C. max |
| | 15 Vp-p. max |
| Insulation Resistance | 100MΩ min. (at 10 VDC) |
| Operation Temperature | -20°C to +80°C |
| Storage Temperature | -55°C to +85°C |
| Aging Rate (Fosc) | ±0.3% max. (10 years) |

Load Capacitors: C1=C2 (built-in)

| | |
|----------|--|
| ASCR-MGC | 22pF |
| ASCR-MTS | 30pF |
| ASCR-MTV | 30pF |
| ASCR-MXS | 30pF (up to 20M) 15pF (20.01M to 50M) |
| ASCR-MXV | 30pF (up to 20M) 15pF (20.01M to 50M) |
| ASCR-MSS | 15pF (up to 25.9M) 5pF (26M to 50M) |

TEST CIRCUIT and CONDITION:



Parts shall be measured under a condition (Temp.: 20±15°C, Humidity: 65±20% R.H.) unless the standard condition

(Temp: 25±3°C, Humidity: 65±5% R.H.) is regulated to measure

C1C2: see above Load Capacitance Table

IC: 1/6TC4069UBP2

X: Ceramic Resonator

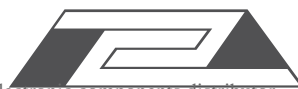
VDC: +5V

OPTIONS AND PART IDENTIFICATION:

(Left blank if standard)

AWSCR - XX.XXMXX - Packaging
XX.XX: Frequency in MHz

PACKAGING OPTION:
 T for Tape and Reel (3,000pcs/reel)



HIGH FREQUENCY MHZ SMD CERAMIC RESONATORS

ASCR



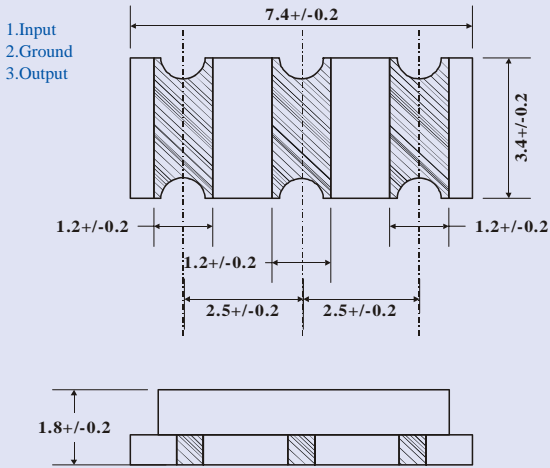
RoHS
Compliant



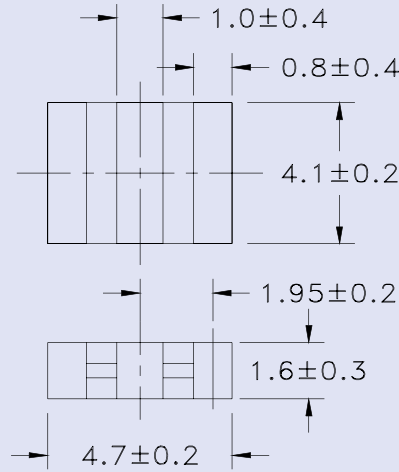
Size Varies

OUTLINE DRAWING:

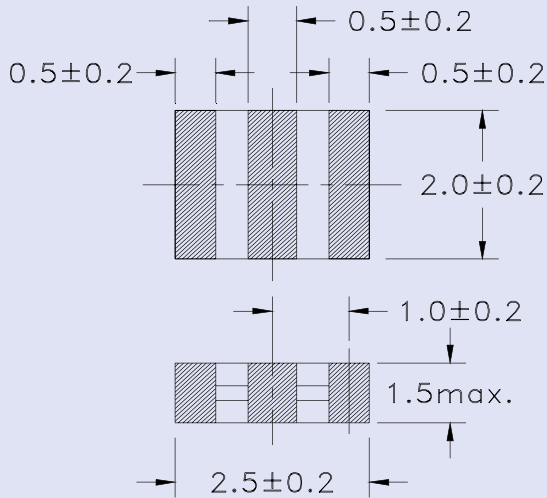
ASCR-MGC (7434)



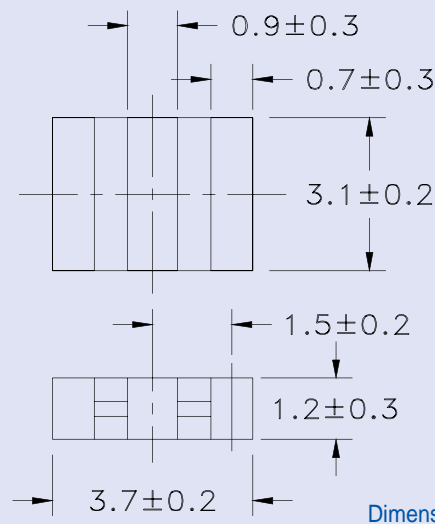
ASCR-MTS and MXS (4741)



ASCR-MSS (2520)

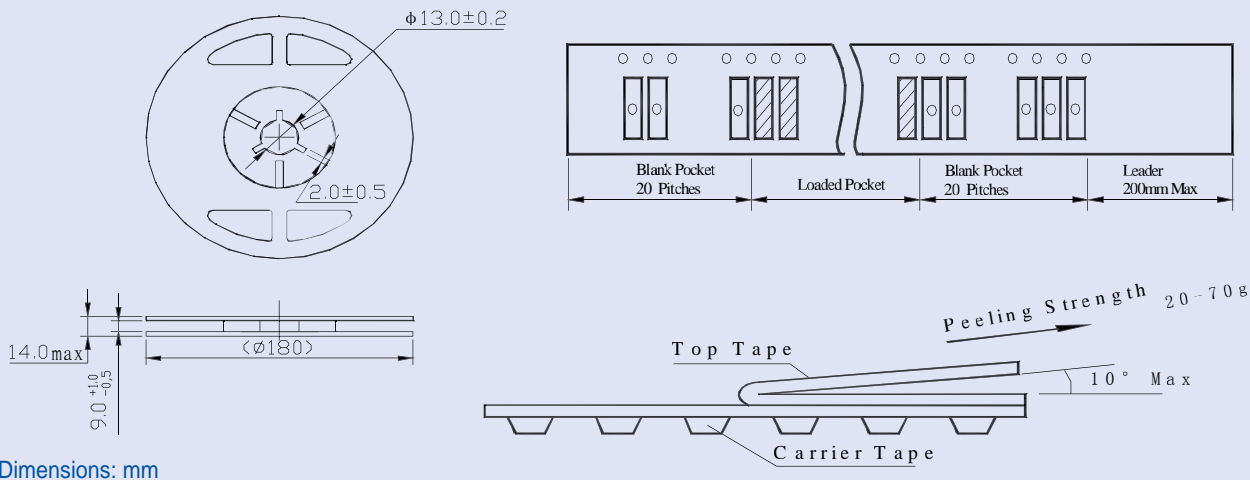


ASCR-MTV and MXV (3731)



Dimensions: mm

TAPE & REEL: T = Tape and reel 3,000pcs/reel



Dimensions: mm

ABRACON IS
ISO 9001 / QS 9000
CERTIFIED



ABRACON
CORPORATION

Visit www.abracon.com for Terms & Conditions of Sale **Revised: 07.05.07**
30332 Esperanza, Rancho Santa Margarita, California 92688
tel 949-546-8000 | fax 949-546-8001 | www.abracon.com