

**FEATURES**

- LAN interface suitable for 10/100/1000Base-TX applications.
- RJ45/USB stacked design saves on PCB real estate.
- USB module complies with USB 2.0 standards and meets CAT5 Fast Ethernet industry performance standard.
- Magnetics are 100% electrically tested for HI-POT and continuity
- Meets or exceeds IEEE 802.3 and ANSI X3.263 standards including 350  $\mu$ H min OCL with 8 mA bias.

ELECTRICAL SPECIFICATIONS @25°C-Operating temperature 0°C TO 70°C														
Part Number	Data Rate	Turns Ratio		LEDs	Insertion Loss (dB MAX)	Return Loss (dB MIN) 100 $\Omega$ $\pm$ 15 $\Omega$			Crosstalk (dB TYP)			Common Mode Rejection (dB TYP)		Hipot (Vrms) @60Hz
		TX	RX	L/R		1-100 MHz	1-30 MHz	30-60 MHz	60-80 MHz	1-10 MHz	32-60 MHz	60-100 MHz	1-50 MHz	
RJ45-102DYD2	10/100	1CT:1	1CT:1CT	G-O/Y	-1.0	-18	-16	-12	-40	-35	-30	-30	-20	1500
RJ45-103YDD2	10/100	1CT:1	1CT:1CT	Y/G-O	-1.0	-18	-16	-12	-35	-35	-35	-30	-30	1500
RJ45-104GYD2	10/100	1CT:1	1CT:1CT	G/Y	-1.0	-20	-14	-12	-35	-35	--	-30	-30	1500
RJ45-201DYD2	10/100/1000	1CT:1	1CT:1	G-O/Y	-1.0	-18	-16	-12	-35	-35	-35	-30	-30	1500
RJ45-202GDD2	10/100/1000	1CT:1	1CT:1	G/G-O	-1.0	-18	-16	-12	-40	-40	-35	-30	-25	1500
RJ45-203GDD2	10/100/1000	1CT:1CT	1CT:1CT	G/G-O	-1.0	-18	-16	-12	-40	-35	-30	-30	-20	1500

**Part Number:**

RJ45 – xxx GYD 2  
A B C D

A:Series  
B:Schematics  
C:Led  
D:Gold Plating:1=3u",2=6u",3=15u",4=30u",5=50u"

**Mechanicals**

**Housing Material:** PBT

**Insert Material:**

RJ Upper Support : Thermoplastic UL 94V-0  
Contact : Phosphor Bronze

**Contact pin Material:**

RJ Upper Support : Thermoplastic UL 94V-0

**Contact :SPCC**

**Shielding Material:**

1. MATERIAL : BRASS, C2680R-H

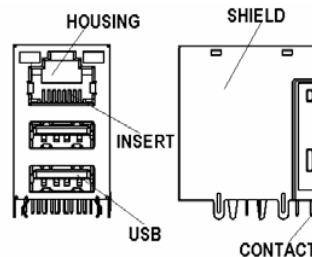
THICKNESS : 0.25mm

2. MATERIAL : STAINLESS, SUS304

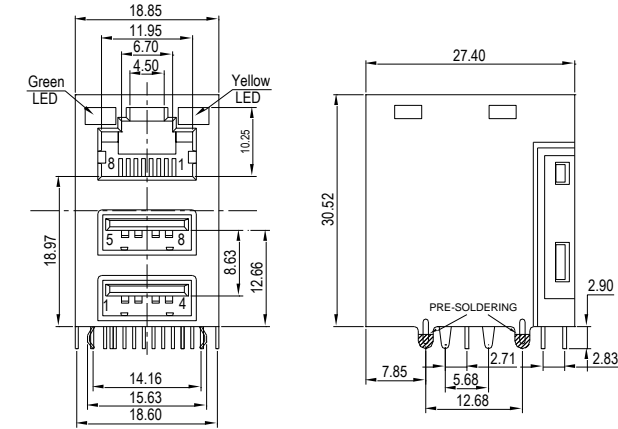
THICKNESS : 0.25 $\pm$ 0.01mm

**USB:**

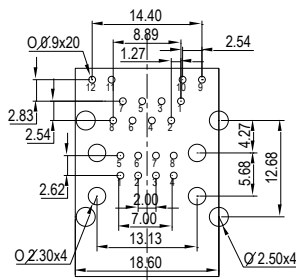
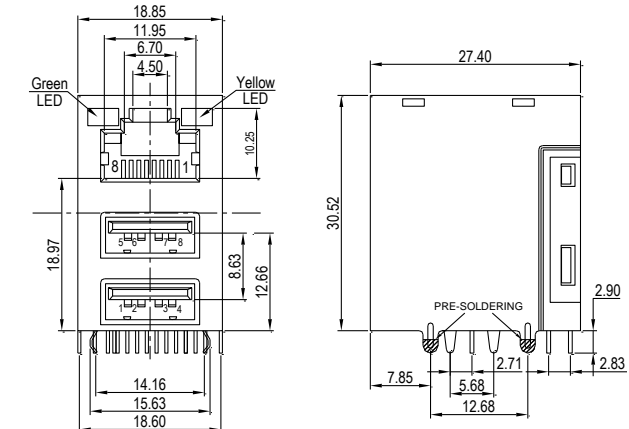
Housing : Thermoplastic UL94V-0 Black.  
Contact: Phosphor Bronze  
Shell:Copper Alloy (t=0.30mm)  
Tangue Shell:Copper Alloy (t=0.30mm)



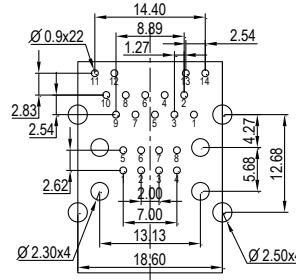
**Mechanicals and Dimensions:  
8 PIN**



**10 PIN**



PC Board Layout  
Component Side Shown

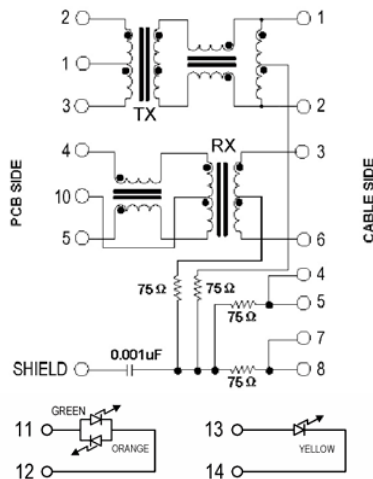


PC Board Layout  
Component Side Shown

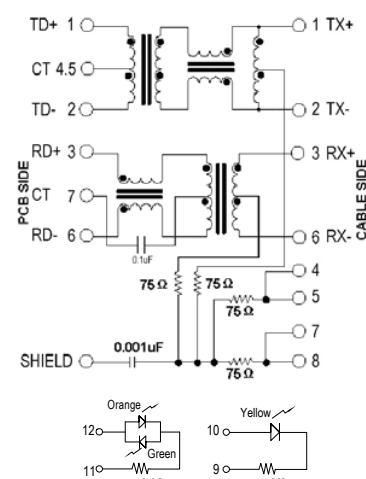
UNIT : mm Unless otherwise specified, all tolerances are  $\pm 0.25$

**SCHEMATICS**

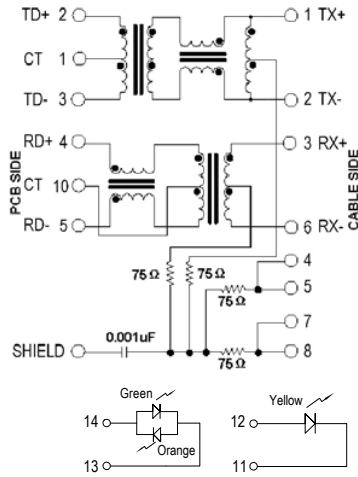
**101**



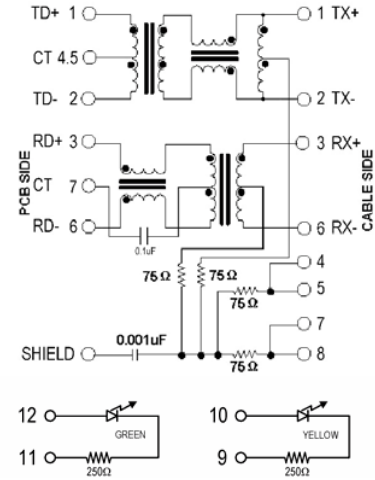
**102**



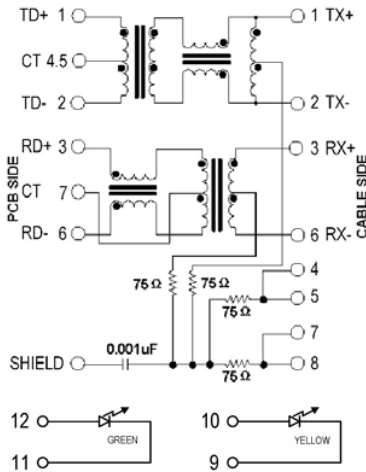
103



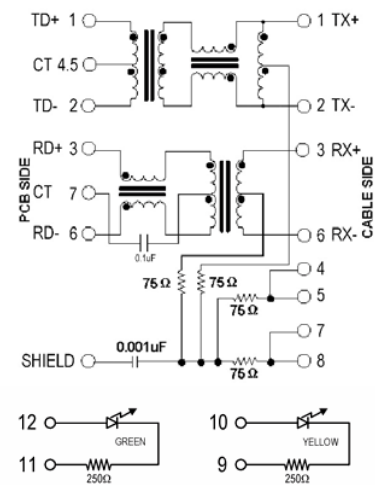
104



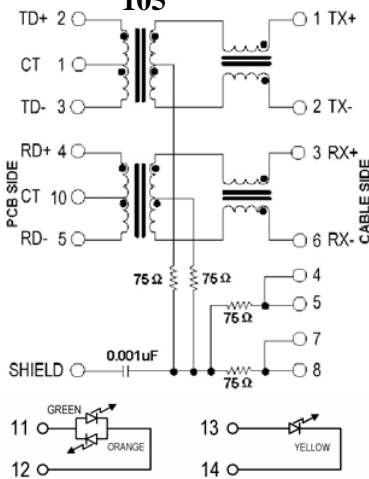
104A



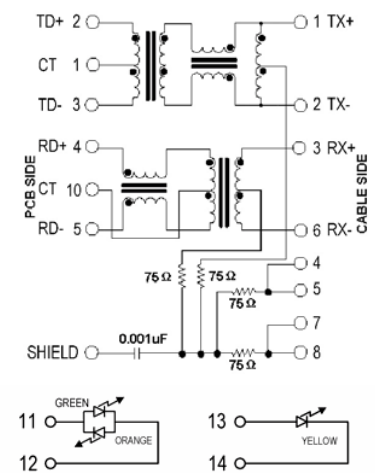
104B



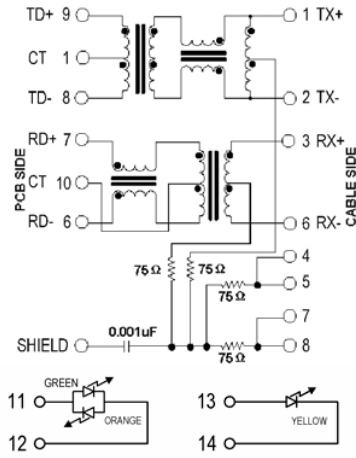
105



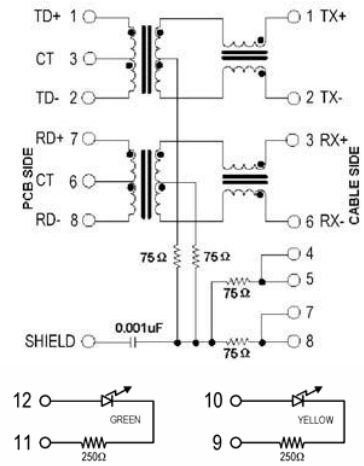
105A



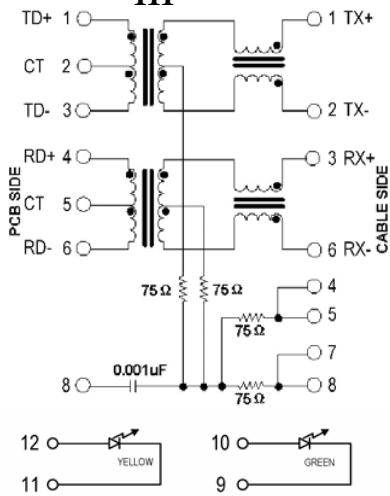
106



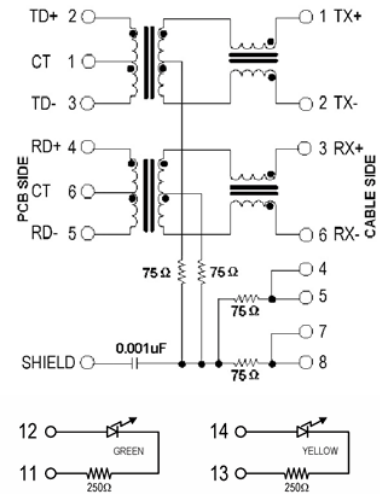
107



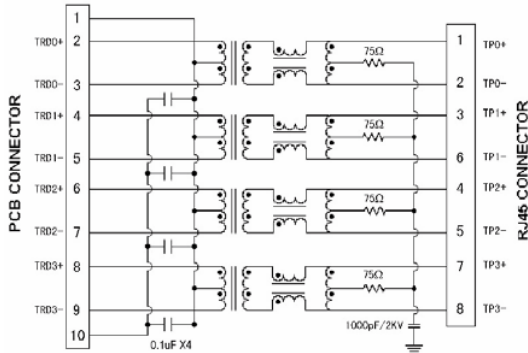
111



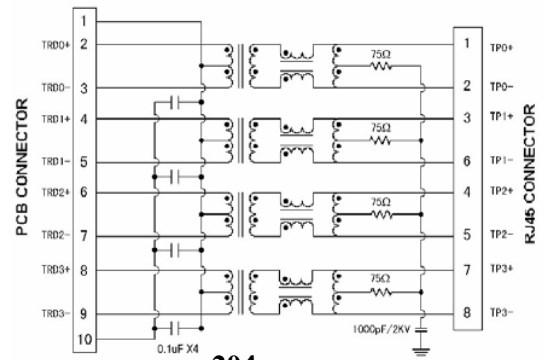
112



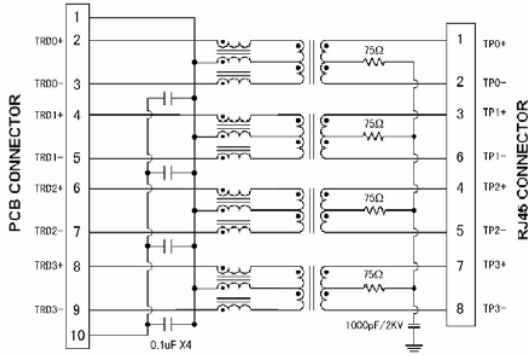
**201**



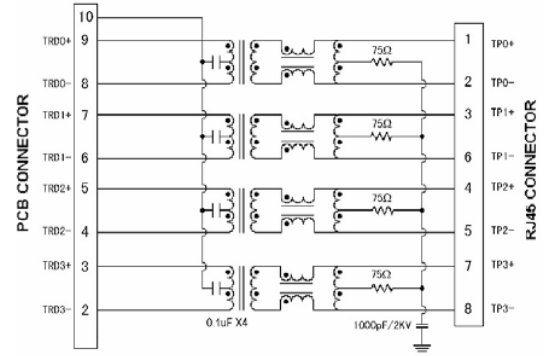
**202**



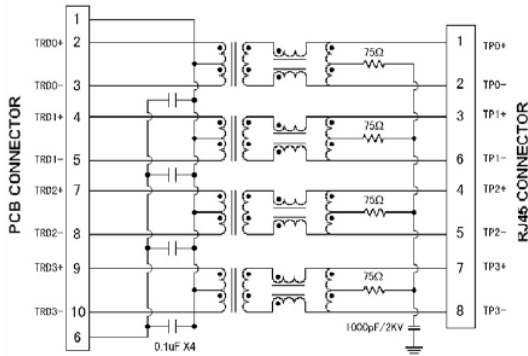
**203**



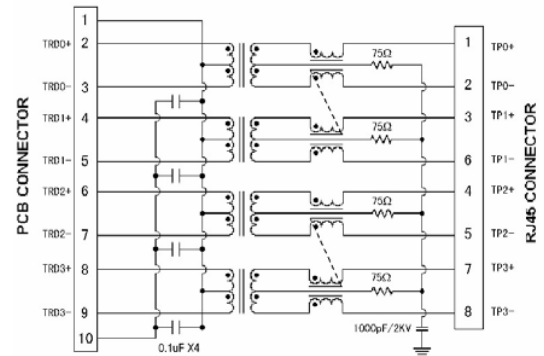
**204**



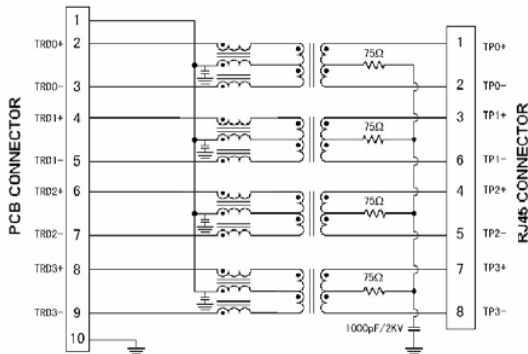
**205**



**206**



**207**



**209**

