

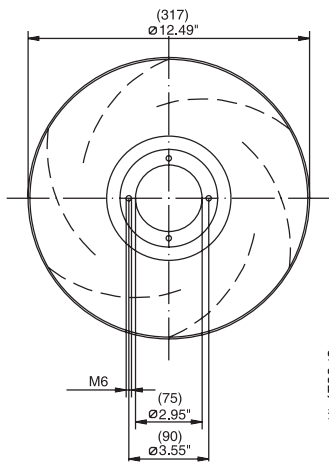


RH31M Series Motorized Impeller

Ø 315mm Backward Curved

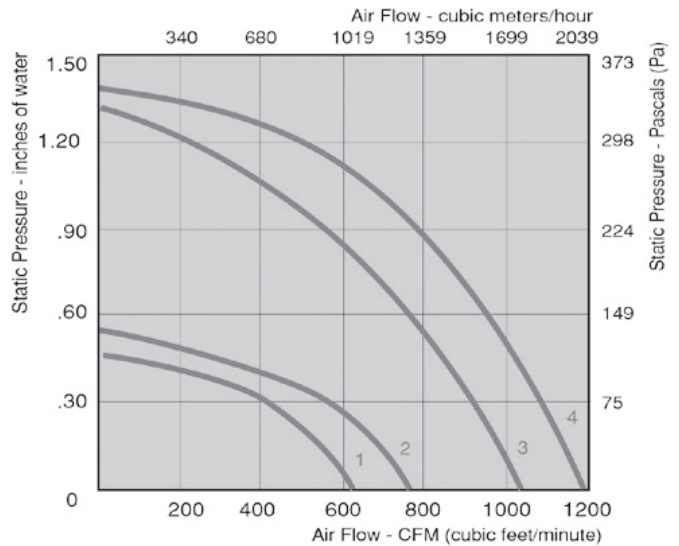
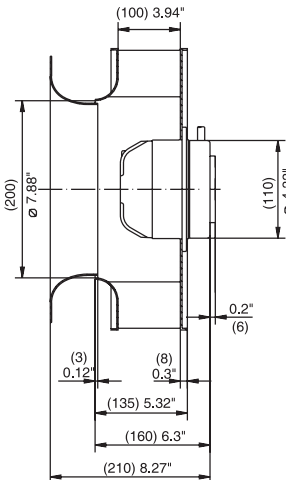
- Backward curved centrifugal fans feature extremely long blades. These impellers are highly resistant to dirt and dust. Their hydraulic efficiency is very high.
- Impeller completely made of a welded steel design.
- Maintenance-free ball bearings.
- Direction of rotation is CW as seen from inlet of the impeller.
- UL, CSA, VDE approvals on some models, please contact application engineering.
- Recommended inlet ring: IR/265498.

| Part Number | Curve | CFM @ 0 | VAC | Hertz | Power (W) | dBa | Max Amb. Temp C | Bearing Type | Features | Capacitor (µF) | Wgt. (lbs) |
|----------------|-------|---------|-----|-------|-----------|-----|-----------------|--------------|----------|----------------|------------|
| RH31M-6/204981 | 1 | 610 | 115 | 50/60 | 75 | 59 | 50 | Ball | Leads | 6 | 9.19 |
| RH31M-6/104373 | 2 | 770 | 115 | 50/60 | 110 | 59 | 60 | Ball | Leads | 8 | 9.19 |
| RH31M-4/104369 | 3 | 1030 | 115 | 60 | 160 | 65 | 45 | Ball | Leads | 14 | 10.5 |
| RH31M-4/104370 | 4 | 1200 | 115 | 60 | 240 | 65 | 50 | Ball | Leads | 20 | 10.5 |
| | | | | | | | | | | | |
| RH31M-6/204984 | 1 | 610 | 230 | 50/60 | 75 | 59 | 50 | Ball | Leads | 1.5 | 9.19 |
| RH31M-6/104372 | 2 | 770 | 230 | 50/60 | 110 | 59 | 60 | Ball | Leads | 2 | 9.19 |
| RH31M-4/204988 | 3 | 1030 | 230 | 60 | 160 | 76 | 70 | Ball | Leads | 4 | 10.5 |
| RH31M-4/104371 | 4 | 1200 | 230 | 60 | 240 | 65 | 40 | Ball | Leads | 4 | 10.5 |



MOUNTING:
3.54" (90) Bolt Circle
4 x 90° M6 Holes

KL1783/3



e-mail: sales@us.ebmpapst.com · TEL: 860-674-1515 · FAX: 860-674-8536

ebm-papst Inc., 100 Hyde Road, Farmington, CT 06034 USA

ebm-papst Inc., 2004 © ebm-papst Inc. reserves the right to change any specifications or data without notice