

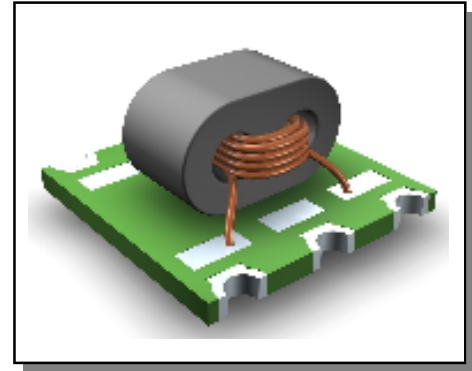
# MAPD-010362-C20FA0

Power divider, 2 way, 0 degree  
5 MHz - 1000 MHz

Rev. V2

## Features

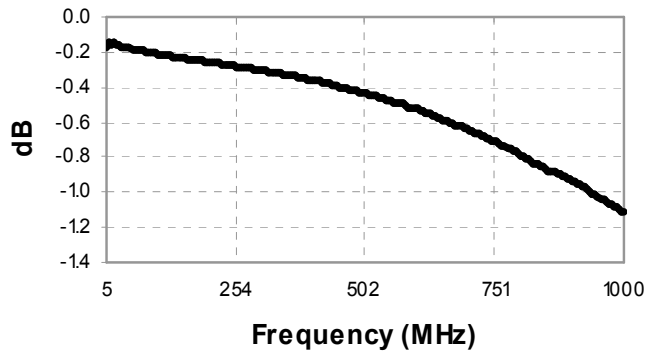
- ◆ 2 way, 0 degree
- ◆ Surface mount
- ◆ Available on tape and reel
- ◆ 260°C reflow compatible
- ◆ RoHS Compliant and Pb free
- ◆ Excellent temperature stability



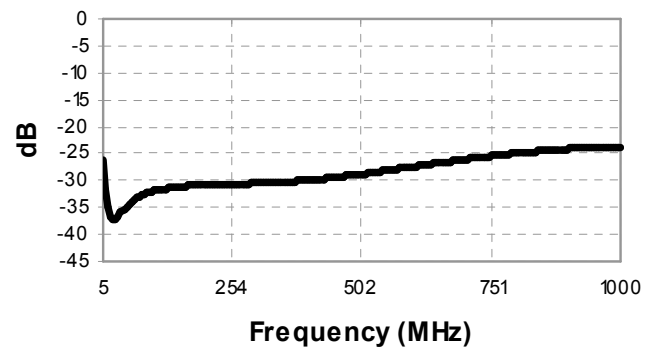
**Electrical Specifications:**  $Z_0 = 75\Omega$ ,  $T_A = 25^\circ\text{C}$ ,  $P_{in} = 0\text{dBm}$

Parameter	Conditions	Units	Min	Typ	Max
Frequency Range		MHz	5		1000
Impedance		$\Omega$		75	
Power split		dB		3	
Insertion Loss	5 - 40 MHz	dB	-	0.2	1.0
	40 - 400 MHz	dB	-	0.3	0.7
	400 - 500 MHz	dB	-	0.4	0.7
	500 - 1000 MHz	dB	-	0.7	1.2
Amplitude Balance	5 - 40 MHz	dB	-	-	$\pm 0.6$
	40 - 400 MHz	dB	-	-	$\pm 0.4$
	400 - 500 MHz	dB	-	-	$\pm 0.6$
	500 - 1000 MHz	dB	-	-	$\pm 0.7$
Phase Balance	5 - 40 MHz	Degree	-	-	$\pm 3.0$
	40 - 400 MHz	Degree	-	-	$\pm 3.0$
	400 - 500 MHz	Degree	-	-	$\pm 3.0$
	500 - 1000 MHz	Degree	-	-	$\pm 5.0$
Input Return Loss	5 - 40 MHz	dB	15	38	-
	40 - 870 MHz	dB	17	25	-
	870 - 1000 MHz	dB	16	19	-
Output Return Loss	5 - 40 MHz	dB	14	29	-
	40 - 870 MHz	dB	15	21	-
	870 - 1000 MHz	dB	13	15	-
Isolation	5 - 40 MHz	dB	19	36	-
	40 - 400 MHz	dB	19	30	-
	400 - 500 MHz	dB	16	29	-
	500 - 1000 MHz	dB	10	25	-

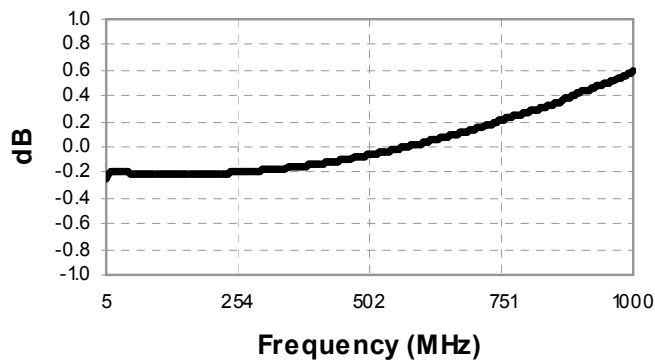
### Insertion Loss : Pin6—Pin4



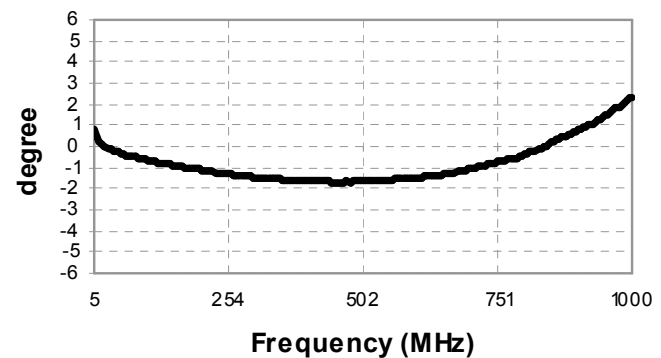
### Isolation:



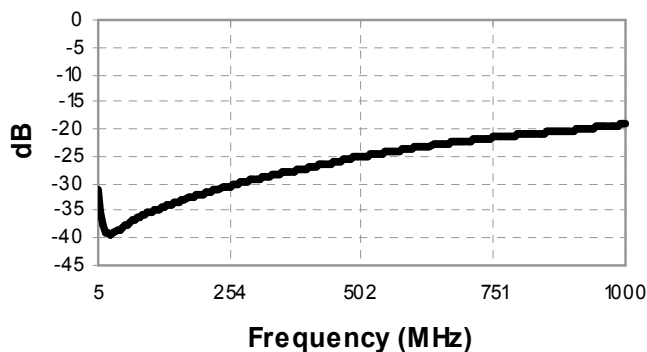
### Amplitude Balance:



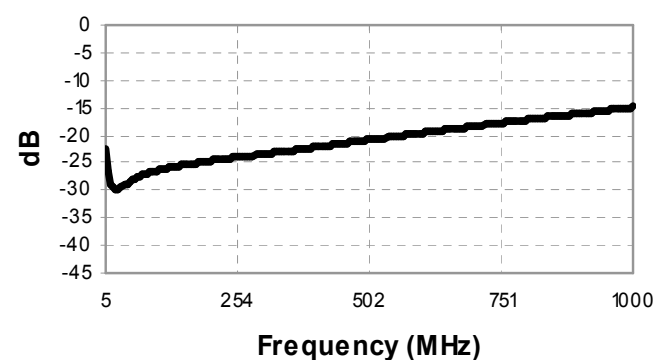
### Phase Balance :



### Input Return Loss:

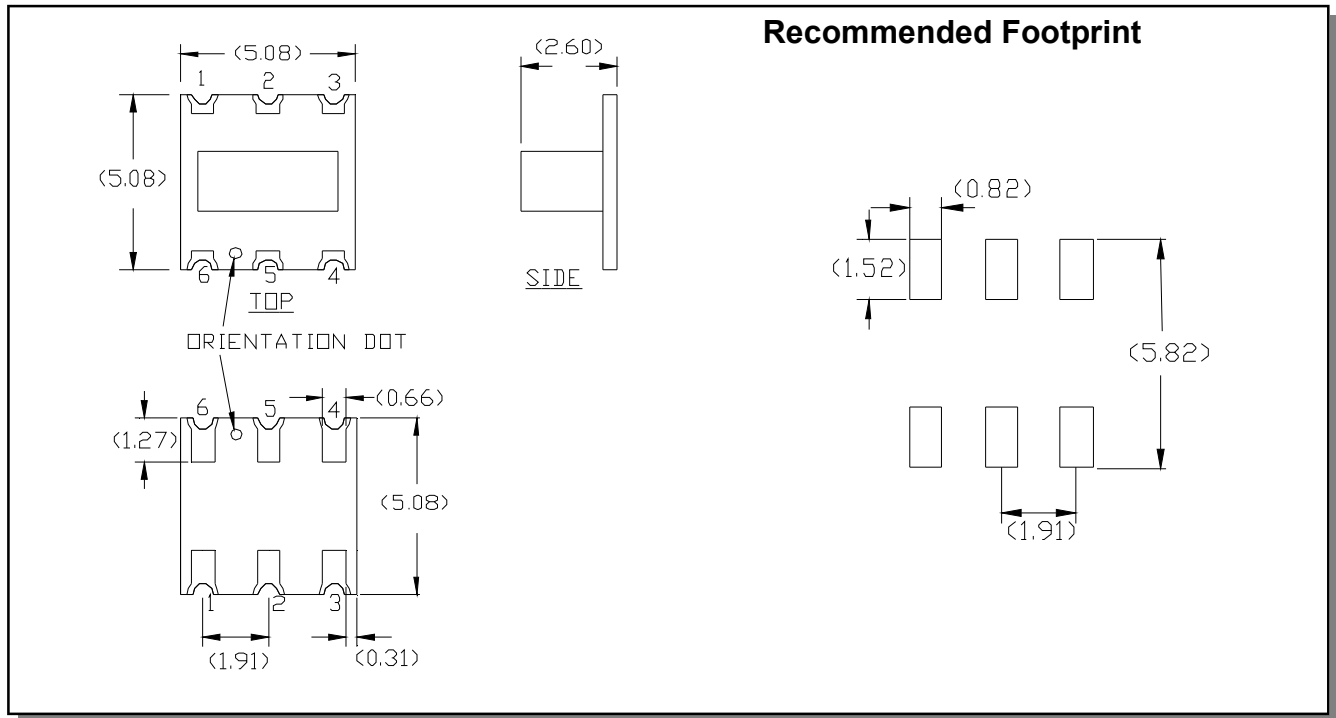


### Output Return loss:



Electrical Specifications:  $Z_0 = 75\Omega$ ,  $T_A = 25^\circ\text{C}$ ,  $P_{in} = 0\text{dBm}$

## Outline Drawing

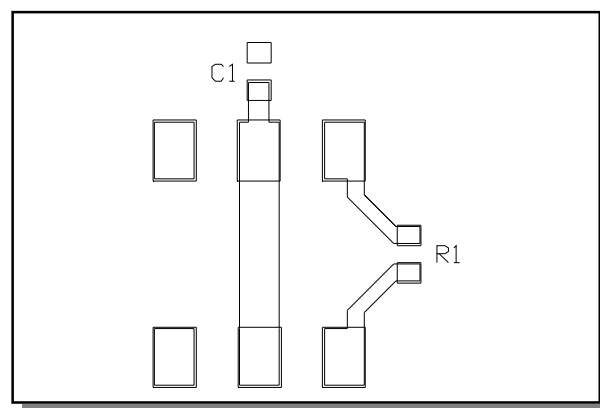


1. Dimensions in mm.
2. Tolerance:  $\pm 0.2\text{mm}$  unless otherwise noted.
3. Model number and lot code are printed on the reel.
4. Finish: Electroless nickel immersion gold

## Pin Configuration

Pin No.	Function
1	Ground
2	Not connected
3	Output port 2
4	Output port 1
5	Not connected
6	Input

## Recommend PCB Layout



# MAPD-010362-C20FA0

Power divider, 2 way, 0 degree  
5 MHz - 1000 MHz

Rev. V2

## Tape & Reel Information

Parameter	Units	Value
Qty per reel	-	2000
Reel Size	mm	330
Tape Width	mm	12.00
Pitch	mm	8.00
Ao	mm	5.30
Bo	mm	5.30
Ko	mm	2.70
Orientation	-	F2
Reference Application Note ANI-019 for orientation		

## Ordering Information

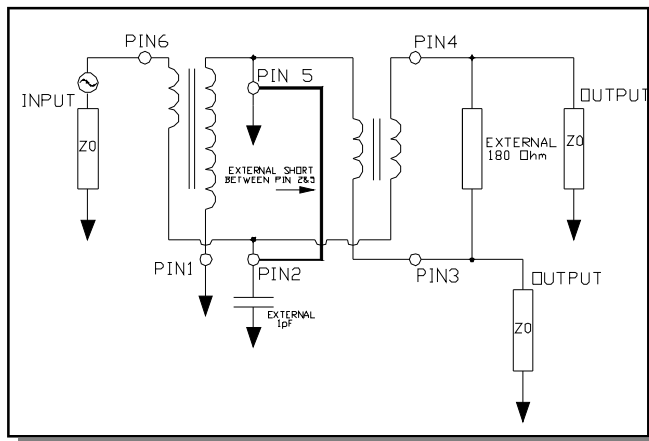
Part Number	Description
MAPD-010362-C20FA0	Tape & Reel
MAPD-010362-C20FTB	Customer Evaluation Board

## Recommended Maximum Ratings

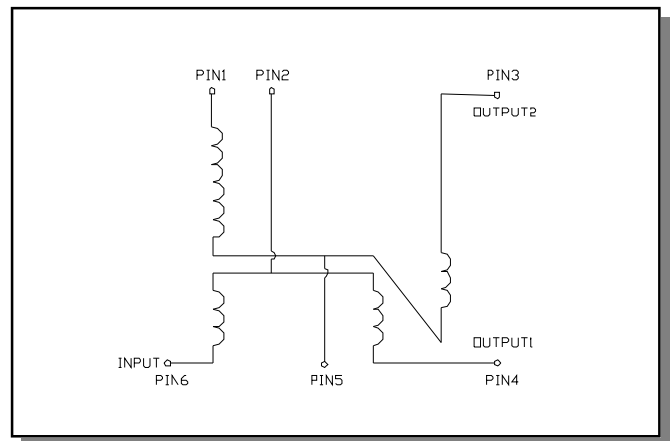
Parameter	Units	Min	Max
Input Power	mW		250
DC Current	mA		200
Operating Temperature Range	°C	-40	+85
Storage Temperature Range	°C	-55	+125

Full temperature plots available on request

## Application Circuit



## Schematic



## ECO History

Rev	Date	Description	ECN NO.
V1	24 May 2010	Created datasheet	20100469
V2	22 July 2010	Corrected reel size to 2000	20100936

4

**ADVANCED:** Data Sheets contain information regarding a product M/A-COM Technology Solutions is considering for development. Performance is based on target specifications, simulated results, and/or prototype measurements. Commitment to develop is not guaranteed.

**PRELIMINARY:** Data Sheets contain information regarding a product M/A-COM Technology Solutions has under development. Performance is based on engineering tests. Specifications are typical. Mechanical outline has been fixed. Engineering samples and/or test data may be available. Commitment to produce in volume is not guaranteed.

• **North America** Tel: 800.366.2266 • **Europe** Tel: +353.21.244.6400  
 • **India** Tel: +91.80.43537383 • **China** Tel: +86.21.2407.1588  
 Visit [www.macomtech.com](http://www.macomtech.com) for additional data sheets and product information.

M/A-COM Technology Solutions Inc. and its affiliates reserve the right to make changes to the product(s) or information contained herein without notice.