

TQM7M5050

Quad-Band GSM/EDGE 5x3.5 PAM

Applications

- GSM/EDGE/WEDGE Handsets
- GSM/EDGE/WEDGE Wireless Cards

Product Features

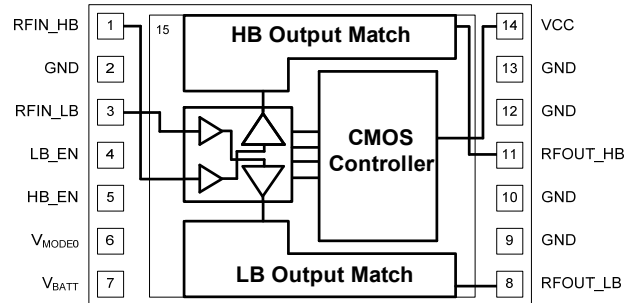
- Small 14-pin 5.0x3.5x0.9mm² module
- Input power controlled – GMSK and 8PSK (predistortion required in EDGE mode)
- Low-Band has 2 modes – HBM and LBM
- High-Band has 2 modes – HBM and LBM
- TriQuint's GaAs HBT / CuFlip® PA Technology
- Built-in CMOS controller
- Optimized for 50Ω system
- MSL3 260°C / RoHS / Halogen-free

General Description

The TQM7M5050 is fully matched input power controlled, multi-bias state, Quad-Band GSM/EDGE PAM designed for use with the Qualcomm multi-mode solutions supporting Linear EDGE. The PA output power is controlled by the input power coming from the transceiver in both GMSK and 8PSK modes and thus does not require a V_{ramp} input. Additionally, the small 5mm x 3.5mm package requires minimum board space and allows for high levels of phone integration.

The TQM7M5050 is designed on TriQuint's advanced InGaP HBT GaAs technology with CuFlip® assembly offering state of the art reliability, temperature stability and ruggedness.

Functional Block Diagram



Pin Configuration

Pin #	Symbol
1	RFIN_HB
2, 9, 10, 12, 13, 15	GND
3	RFIN_LB
4	LB_EN
5	HB_EN
6	VMODE0
7	VBATT
8	RFOUT_LB
11	RFOUT_HB
14	VCC

Ordering Information

Part No.	Description
----------	-------------

TQM7M5050	
-----------	--

Standard T/R size = 2,500 pieces on a 13" reel.