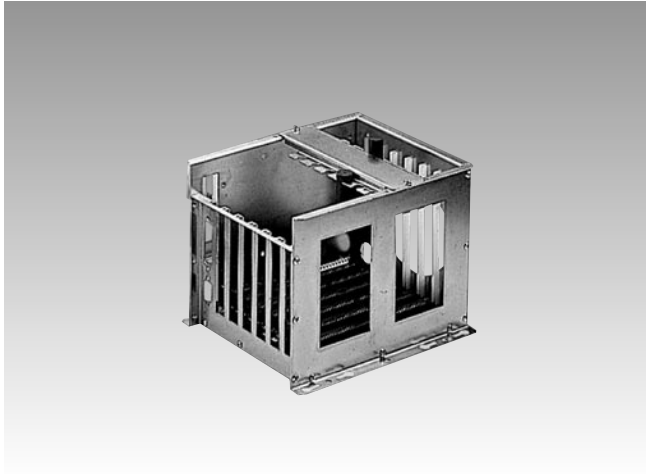


IPC-6006S

6-slot Card Cage



Applications

- OEM PC enclosure
- Wallmount PC controller
- Unattended run-only controller (requires CPU card and PCD-890 dual Flash/RAM ROM disk card)
- RTU (remote terminal unit) for a PC-based data acquisition and control system

Specifications

- **Construction** Heavy-duty steel
- **Weight** 1.6 kg (3.5 lbs)

Backplane (PCA-6106)

- **Slots** 6-slot ISA bus slots
- **Board** 4-layer PCB
- **Indicators** LEDs for +5 V, +12 V, -5 V and -12 V

Features

- Adjustable hold-down clamp protects cards from vibration
- Plug-in termination resistors for high-speed signals
- Terminal-block connectors supply power from board
- Equipped with a 6-slot passive backplane (optional)
- Mounting holes provided for installing one 250-watt PS/2 power supply (optional), one HDD (optional) and one cooling fan

Ordering Information

- **IPC-6006S** Half-sized PC-bus card cage with 6-slot PCA-6106 backplane

Model	Assembled (W x D x H)	Shipping Size (W x D x H)
▪ IPC-6006S	158 x 186 x 215 mm (6.2" x 7.3" x 8.4")	50 x 170 x 240 mm (2.0" x 6.7" x 9.4")