

- 30 A output current
- 5 V input voltage
- Wide-output voltage adjust (0.8 Vdc to 3.6 Vdc)
- Auto-track™ sequencing*
- Margin up/down controls
- Pre-bias start-up capability
- Efficiencies up 94%
- Output ON/OFF inhibit
- Output voltage sense
- Point-of-Load-Alliance (POLA) compatible
- Available RoHS compliant

NEW Product



The PTH05030 is a next generation series of non-isolated dc-dc converters offering some of the most advanced POL features available in the industry. The primary new feature provides for sequencing between multiple modules, a function, which is becoming a necessity for powering advanced silicon including DSP's, FPGA's and ASIC's requiring controlled power-up and power-down. Other industry leading features include margin up/down controls, pre-bias start-up capability and efficiencies up to 94%. The PTH05030 has an input voltage of 4.5 Vdc to 5.5 Vdc and offers a wide 0.8 Vdc to 3.6 Vdc output voltage range with up to 30 A output current, which allows for maximum design flexibility and a pathway for future upgrades.



2 YEAR WARRANTY

All specifications are typical at nominal input, full load at 25 °C unless otherwise stated
C_{in} = 1500 µF, C_{out} = 0 µF

SPECIFICATIONS

OUTPUT SPECIFICATIONS			EMC CHARACTERISTICS		
Voltage adjustability	(See Note 4)	0.8-3.6 Vdc	Electrostatic discharge	EN61000-4-2, IEC801-2	
Setpoint accuracy		±2.0% Vo	Conducted immunity	EN61000-4-6	
Line regulation		±10 mV typ.	Radiated immunity	EN61000-4-3	
Load regulation		±12 mV typ.	GENERAL SPECIFICATIONS		
Total regulation		±3.0% Vo	Efficiency	(See Efficiency Table)	94% max.
Minimum load		0 A	Insulation voltage	Non-isolated	
Ripple and noise	20 MHz bandwidth	40 mV pk-pk	Switching frequency	275 kHz to 325 kHz	
Temperature co-efficient	-40 °C to +85 °C	±0.5% Vo	Approvals and standards	EN60950 UL/cUL60950	
Transient response		70 µs recovery time	Material flammability	UL94V-0	
(See Note 5)		Overshoot/undershoot 100 mV	Dimensions	(L x W x H)	34.80 x 28.45 x 9.00 mm 1.370 x 1.120 x 0.354 in
Margin adjustment		±5.0% Vo	Weight	10 g (0.35 oz)	
INPUT SPECIFICATIONS			MTBF	Telcordia SR-332	2,821,000 hours
Input voltage range	(See Note 3)	4.5-5.5 Vdc	ENVIRONMENTAL SPECIFICATIONS		
Input current	No load	10 mA typ.	Thermal performance	Operating ambient, temperature	-40 °C to +85 °C
Remote ON/OFF	(See Note 1)	Positive logic	(See Note 2)	Non-operating	-40 °C to +125 °C
Start-up time		1 V/ms	MSL ('Z' suffix only)	JEDEC J-STD-020C	Level 3
Undervoltage lockout		3-4.35 Vdc typ.	PROTECTION		
Track input voltage	Pin 11 (See Note 6, 7)	±0.3 Vin	Short-circuit	Auto reset	47 A typ.
			Thermal	Auto recovery	

International Safety Standard Approvals



UL/cUL CAN/CSA-C22.2 No. 60950-1-03/UL 60950-1, File No. E174104

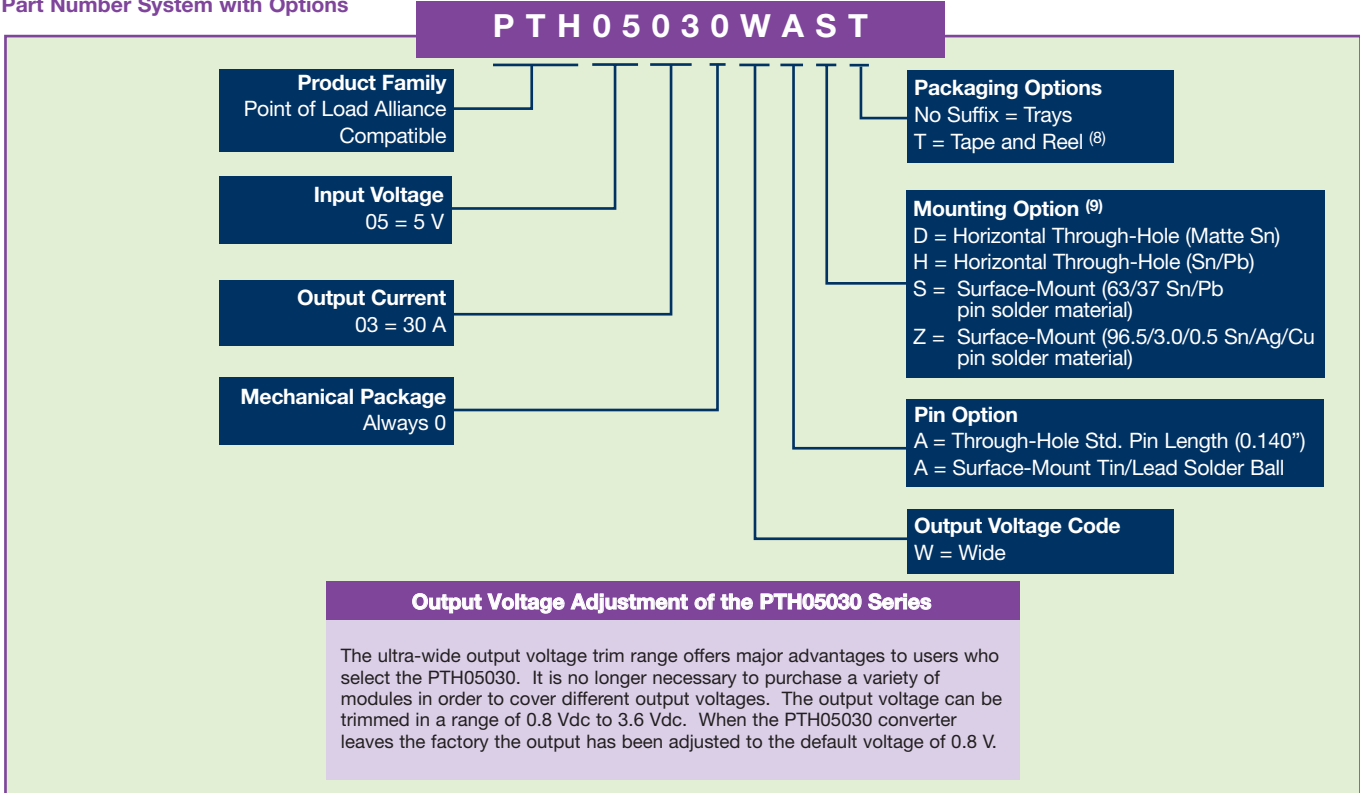


TÜV Product Service (EN60950) Certificate No. B 04 06 38572 044
CB Report and Certificate to IEC60950, Certificate No. US/8292/UL

*Auto-track™ is a trade mark of Texas Instruments

OUTPUT POWER (MAX.)	INPUT VOLTAGE	OUTPUT VOLTAGE	OUTPUT CURRENT (MIN.)	OUTPUT CURRENT (MAX.)	EFFICIENCY (MAX.)	REGULATION		MODEL NUMBER ^(9,10)
						LINE	LOAD	
108 W	4.5-5.5 Vdc	0.8-3.6 Vdc	0 A	30 A	94%	±10 mV	±12 mV	PTH05030

Part Number System with Options



Notes

- Remote ON/OFF. Positive Logic
ON: Pin 4 open; or $V > V_{in} - 0.5 V$
OFF: Pin 4 GND; or $V < 0.8 V$ (min - 0.2 V).
- See Figure 1 for safe operating curve.
- A 1,500 μF electrolytic input capacitor is required for proper operation. The capacitor must be rated for a minimum of 900 mA rms of ripple current.
- An external output capacitor is not required for basic operation. Adding 330 μF of distributed capacitance at the load will improve the transient response.
- 1 A/ μs load step, 50 to 100% I_{omax} . $C_{out} = 330 \mu F$.
- If utilized V_{out} will track applied voltage by $\pm 0.3 V$ (up to V_o set point).
- The pre-bias start-up feature is not compatible with Auto-Track™. This is because when the module is under Auto-Track™ control, it is fully active and will sink current if the output voltage is below that of a back-feeding source. Therefore to ensure a pre-bias hold-off, one of the following two techniques must be followed when input power is first applied to the module. The Auto-Track™ function must either be disabled, or the module's output held off using the Inhibit pin. Refer to Application Note 157 for more details.
- Tape and reel packaging only available on the surface-mount versions.
- To order Pb-free (RoHS compatible) surface-mount parts replace the mounting option 'S' with 'Z', e.g. PTH05030WAZ. To order Pb-free (RoHS compatible) through-hole parts replace the mounting option 'H' with 'D', e.g. PTH05030WAD.
- NOTICE: Some models do not support all options. Please contact your local Artesyn representative or use the on-line model number search tool at <http://www.artesyn.com/powergroup/products.htm> to find a suitable alternative.

EFFICIENCY TABLE ($I_o = 20 A$)

OUTPUT VOLTAGE	EFFICIENCY
$V_o = 1.0 V$	86%
$V_o = 1.2 V$	87%
$V_o = 1.5 V$	89%
$V_o = 1.8 V$	90%
$V_o = 2.0 V$	91%
$V_o = 2.5 V$	93%
$V_o = 3.3 V$	94%

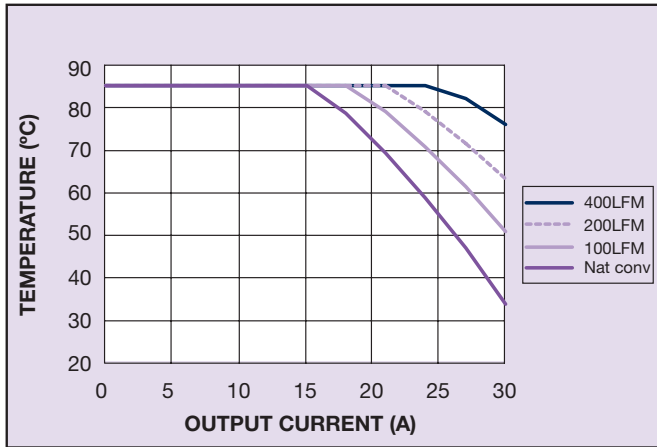


Figure 1 - Safe Operating Area
Vin = 5 V, Output Voltage = 3.3 V (See Note A)

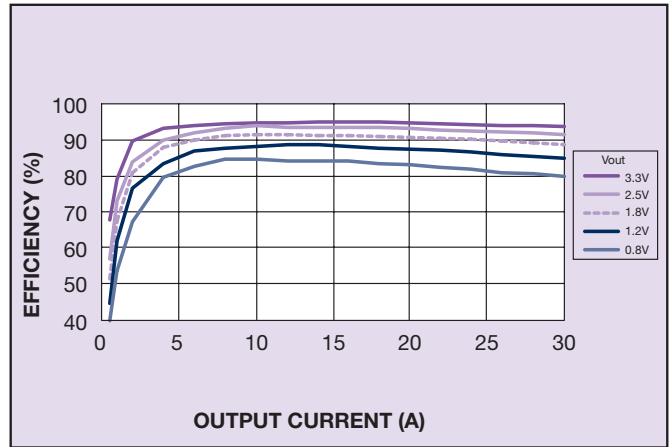


Figure 2 - Efficiency vs Load Current
Vin = 5 V (See Note B)

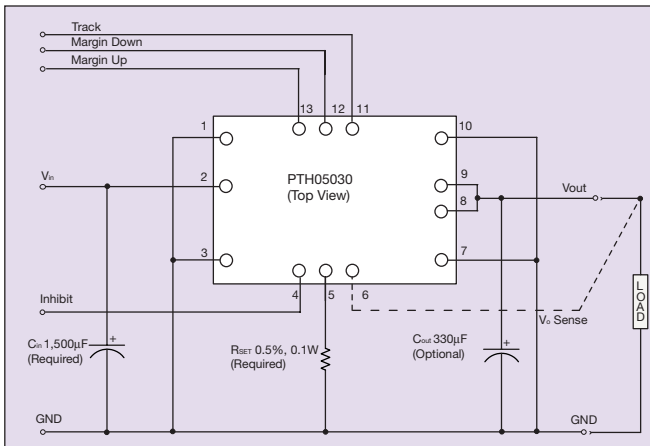


Figure 3 - Standard Application

Notes

- A** SOA curves represent the conditions at which internal components are within the Artesyn derating guidelines.
- B** Characteristic data has been developed from actual products tested at 25 °C. This data is considered typical data for the converter.

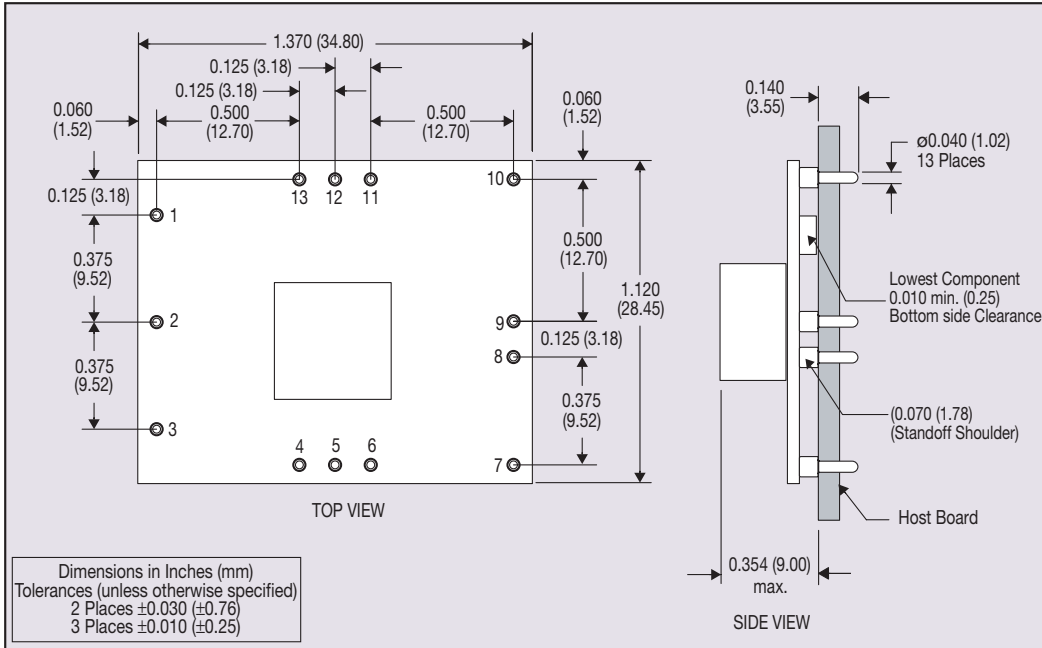


Figure 4 - Plated Through-Hole Mechanical Drawing

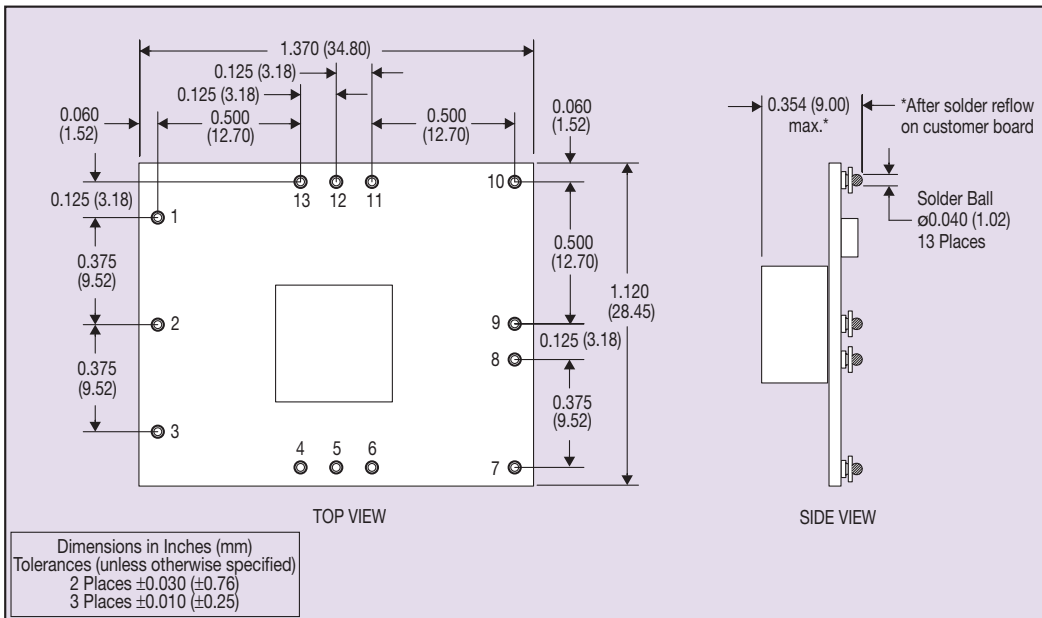


Figure 5 - Surface-Mount Mechanical Drawing

Datasheet © Artesyn Technologies® 2005

The information and specifications contained in this datasheet are believed to be correct at time of publication. However, Artesyn Technologies accepts no responsibility for consequences arising from printing errors or inaccuracies. The information and specifications contained or described herein are subject to change in any manner at any time without notice. No rights under any patent accompany the sale of any such product(s) or information contained herein.

Please consult our website for the following items: ✓ Application Note

www.artesyn.com