

1X4 RJ45 CONNECTOR MODULE WITH INTEGRATED 1000 BASE T MAGNETICS

P/N:LA4T109 “LAN-MATE” SERIES

Feature

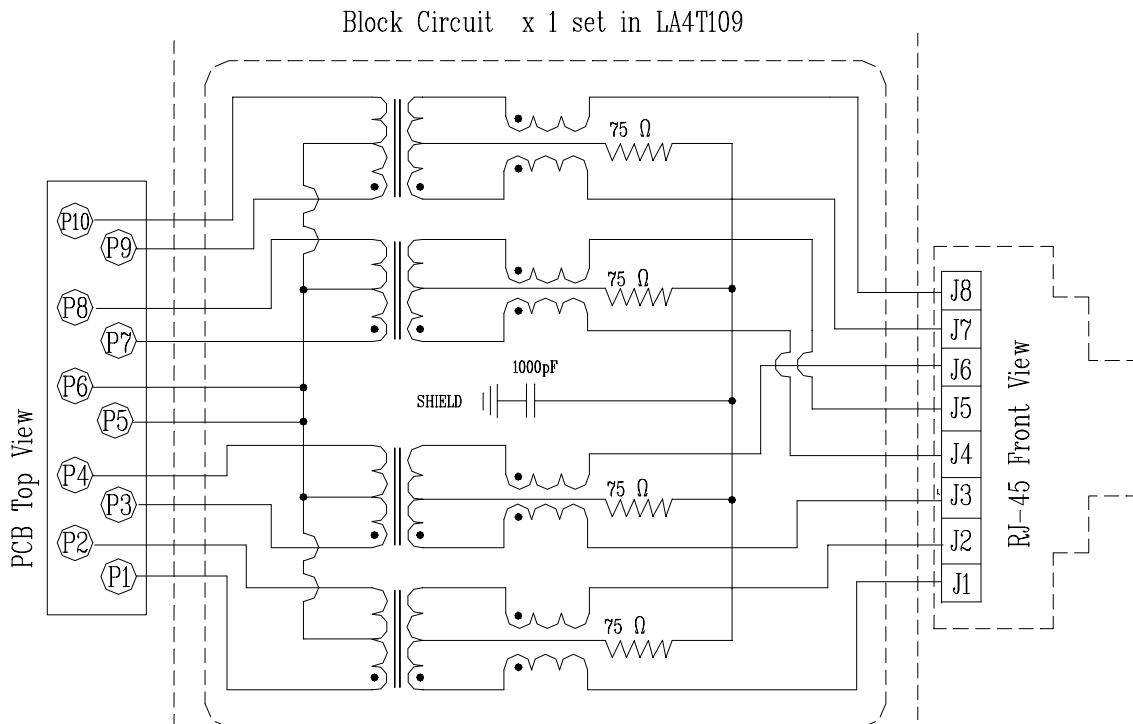


- Isolation @ 60Hz : Input to output:1500Vrms.
- Operating temperature range: 0°C to +70°C.
- Storage temperature range: -40°C to +125°C.

Electrical Specifications @ 25°C				
Part Number	Turns Ratio (±5%)		Primary inductance (uH Min) @ 100KHz/0.1Vrms with 8mA DC Bias	Voltage isolation (Vrms)
	TX	RX		
LA4T109	1CT:1CT	1CT:1CT	350	1500

Continue									
Part Number	Insertion Loss (dB Max.)	Return Loss (dB Max) @ Load 100Ω				Cross talk (dB Min.)			CMRR (dB Min)
		1-100MHz	1-30MHz	30-40MHz	40-50MHz	50-80MHz	1-30MHz	30-60MHz	
LA4T109	-1.0	-16	-13.5	-11.5	-10	-40	-38	-33	-30

Schematic

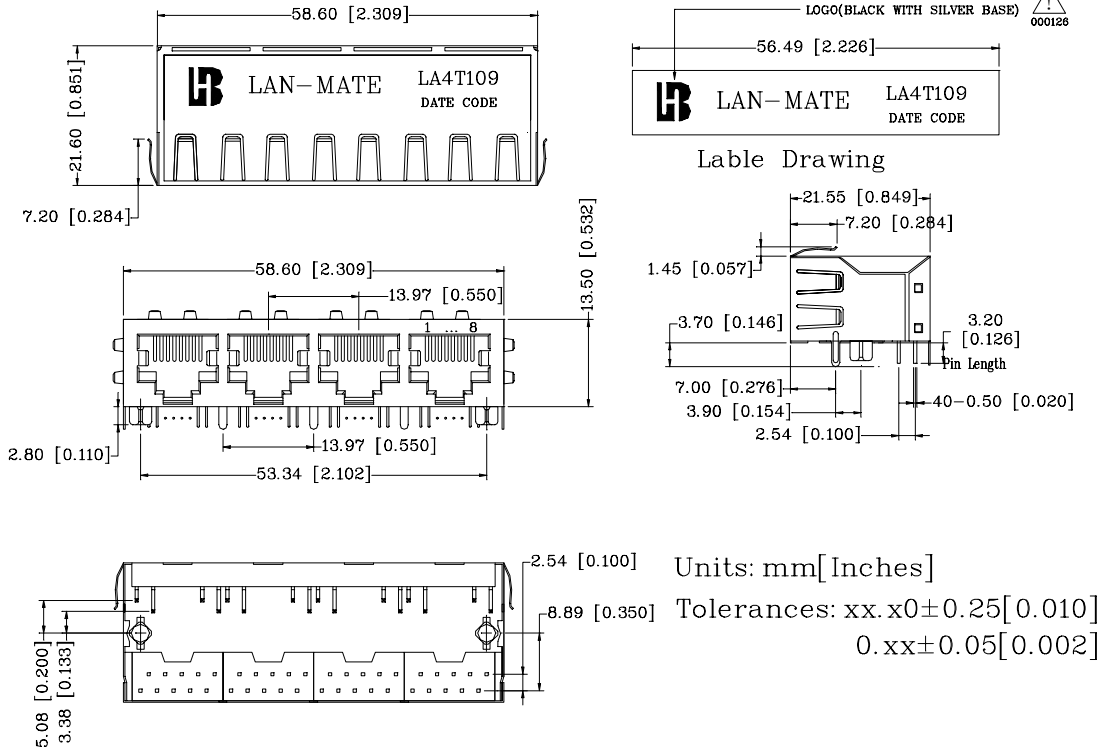


Downloaded from Elcodis.com electronic components distributor

1X4 RJ45 CONNECTOR MODULE WITH INTEGRATED 1000 BASE T MAGNETICS

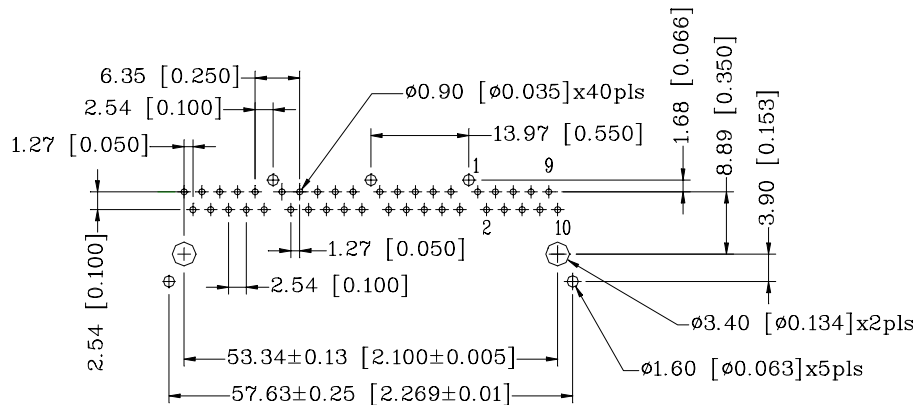
P/N:LA4T109 “LAN-MATE” SERIES

Mechanical



- 1. Plastic Material : PBT 15% Glass Filled(UL 94V-0), Black Housing
- 2. Metal Shield : Brass C2680-H, 20u Nickel Plated, t=0.25mm
- 3. Spring Wire : 0.45mm Dia. Phosphor bronze with 6u gold plated
- 4. Solder Pin : 0.4x0.4mm, Phosphor bronze with solder Plated
- 5. Durability : 300 Mating cycles Min.

PCB Layout Mounting Hole(Top View)



Units: mm [Inches]
Tolerances: xx.x0±0.25 [0.010]
0.xx±0.05 [0.002]