

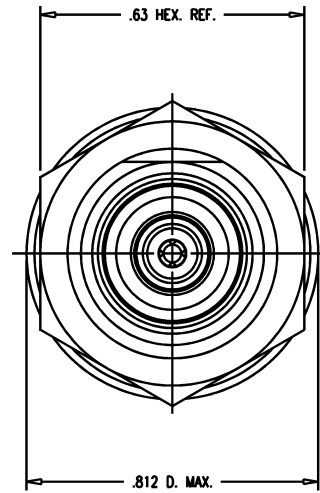
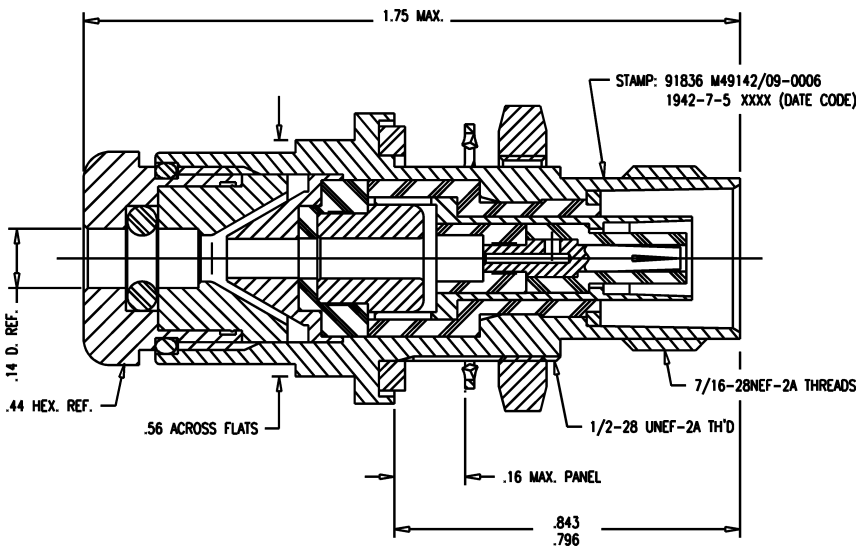
SD

M49142/09-0006

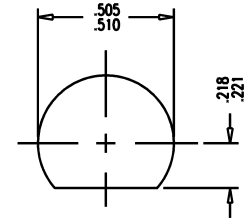
REVISIONS

ISSUE	CHANGES
4	CN 37318 D REDRAWN MRM 04/11/97

09-2006



- NOTES:
- FOR USE WITH M17/176-00002 CABLE.
 - FOR CABLING INSTRUCTIONS SEE 3-395.
 - INTERFACE PER MIL-STD-348, FIG. 202-2.
 - MATERIALS:
INSULATORS: TEFLON, ASTM-D-4894
GASKETS & O-RINGS: SILICONE RUBBER, ZZ-R-765
LOCKWASHER: PHOS. BRONZE, ASTM-B-103
CONTACTS: BER. COP., ASTM-B-196
ALL OTHER METAL PARTS: BRASS, ASTM-B16
 - FINISHES:
CENTER CONTACTS: HARD GOLD PLATE PER MIL-C-45204
ALL OTHER METAL PARTS: SILVER PLATE PER QQ-S-365
 - ELECTRICAL CHARACTERISTICS:
WORKING VOLTAGE: 400 VRMS



MOUNTING HOLE

SD

SCALE	4:1
APPROX SURFACE AREA	
	1942-7-5
USED ON	
REF:	
JACK, BULKHEAD, TRT	
DRAWN	JCA
DATE	11/09/93
DESIGN	TK
DATE	11/10/93
APPR.	VLS
DATE	11/15/93
 TUCKAHOE, NEW YORK 10707	
M49142/09-0006	