

**Digital Attenuator, 4-Bit, Single Control**  
**30 dB, 0.5-2.0 GHz**

**AT-264**  
**V6**

**Features**

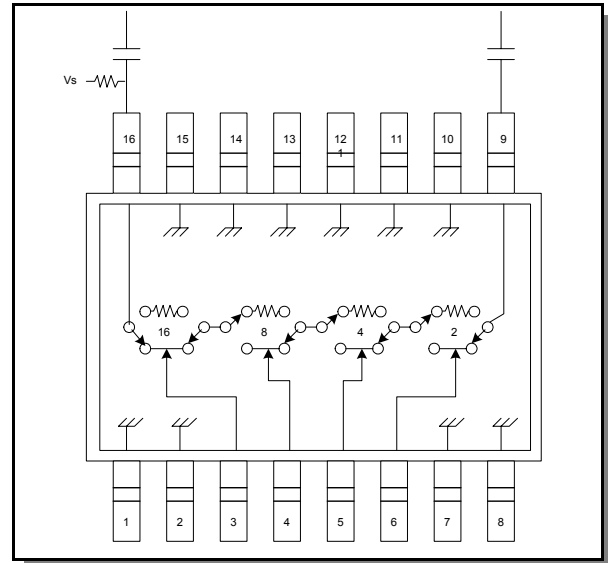
- Positive Single Control
- 2-dB Attenuation Steps to 30 dB
- Low DC Power Consumption
- TSSOP-16 Plastic Package

**Description**

M/A-COM's AT-264 is a 4-bit, 2-dB step GaAs MMIC digital attenuator in a low cost TSSOP-16 surface mount plastic package. The AT-264 is ideally suited for use where high accuracy, very low power consumption and low intermodulation products are required. Typical applications include radio, cellular, wireless LANs, GPS equipment and other gain/level control circuits.

The AT-264 is fabricated using a mature 1 micron GaAs MESFET process. The process features full chip passivation for increased performance and reliability.

**Functional Schematic <sup>2,3</sup>**



2. Blocking caps are required on all RF ports (39 pF used for data measurements).
3.  $V_s = +5 \pm 0.2$  VDC must be applied at RF1 or RF2 using a 10 Kohm or greater pull-up resistor.

**Ordering Information**

Part Number	Package
AT-264	TSSOP 16-Lead Plastic Package
AT-264TR*	Tape and Reel

\* Reference Application Note M513 for reel size information.

**Absolute Maximum Ratings <sup>1</sup>**

Parameter	Absolute Maximum
Input Power 50 MHz 500 - 2000 MHz	+27 dBm +34 dBm
Control Voltage	$-0.5 \text{ V} \leq V_c \leq 8.5 \text{ V}$
Operating Temperature	$-40^\circ\text{C}$ to $+85^\circ\text{C}$
Storage Temperature	$-65^\circ\text{C}$ to $+150^\circ\text{C}$

1. Exceeding any one or combination of these limits may cause permanent damage to this device.

**Pin Configuration**

Pin No.	Function	Pin No.	Function
1	Ground	9	RF2
2	Ground	10	Ground
3	VC1	11	Ground
4	VC2	12	Ground
5	VC3	13	Ground
6	VC4	14	Ground
7	Ground	15	Ground
8	Ground	16	RF1

**Digital Attenuator, 4-Bit, Single Control**  
**30 dB, 0.5-2.0 GHz**

**AT-264**  
**V6**

**Electrical Specifications<sup>4</sup>: T<sub>A</sub> = 25°C, Z<sub>0</sub> = 50 Ω, V<sub>S</sub> = 5 V**

Parameter	Test Conditions	Units	Min	Typ	Max
Reference Insertion Loss	0.5 - 1.0 GHz	dB	—	2.0	2.4
	0.5 - 2.0 GHz	dB	—	2.2	2.6
Attenuation Accuracy	0.5 - 1.0 GHz	± (0.15 dB + 5% of attenuation setting in dB) dB			
	0.5 - 2.0 GHz	± (0.3 dB + 5% of attenuation setting in dB) dB			
VSWR	1.0 - 1.5 GHz	Ratio	—	1.5:1	—
	0.5 - 2.0 GHz	Ratio	—	1.9:1	—
Trise, Tfall	10% to 90% RF, 90% to 10% RF	nS	—	500	—
Ton, Toff	50% Control to 90% RF, 50% Control to 10% RF	nS	—	500	—
Transients	In Band	mV	—	75	—
1 dB Compression	Input Power	dBm	—	25	—
	0.5 GHz 0.9 GHz	dBm	—	25	—
IP <sub>2</sub>	0.5 GHz	dBm	—	65	—
	0.5 - 2.0 GHz Measured Relative to Input (for two-tone Input Power up to +5 dBm)	dBm	—	71	—
IP <sub>3</sub>	0.5 GHz	dBm	—	43	—
	0.5 - 2.0 GHz Measured Relative to Input (for two-tone Input Power up to +5 dBm)	dBm	—	47	—

4. External DC blocking capacitors are required on all RF ports. Loss varies at 0.003 dB/°C.

**Truth Table**

VC1	VC2	VC3	VC4	Attenuation (dB)
1	1	1	1	Reference Insertion Loss
1	1	1	0	2
1	1	0	1	4
1	0	1	1	8
0	1	1	1	16
0	0	0	0	30

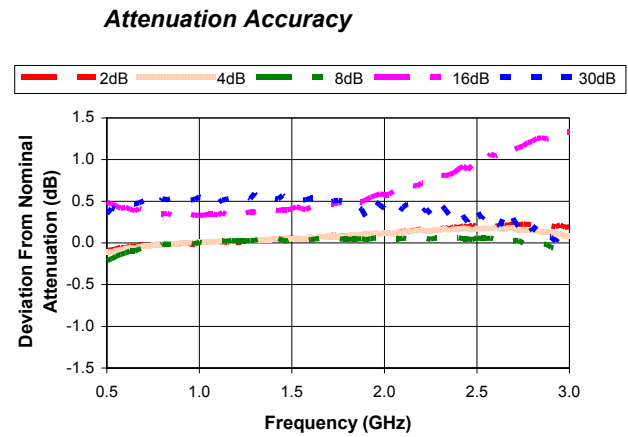
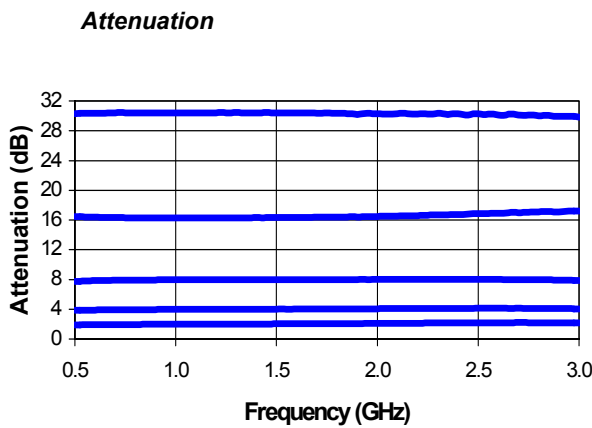
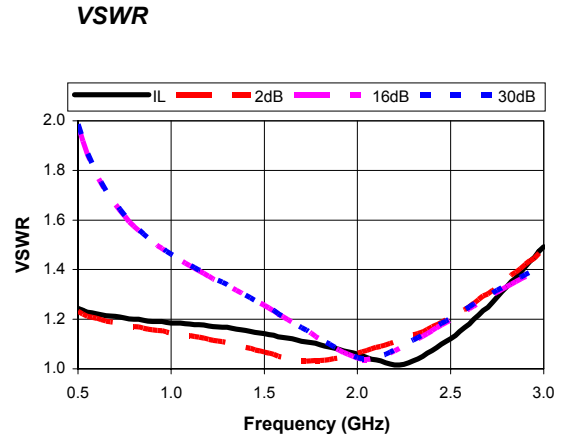
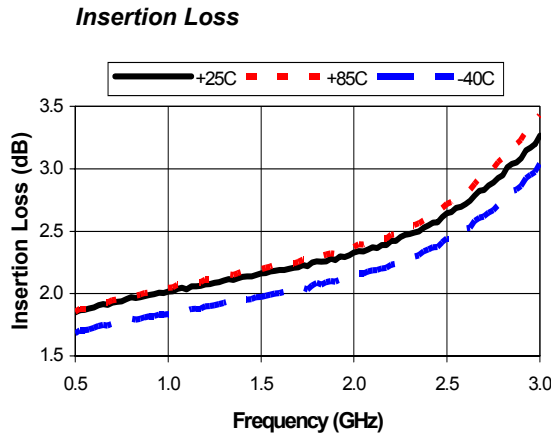
Logic 0 = 0 ± 0.2 V.

Logic 1 = +5 V @ 30 µA maximum current total.

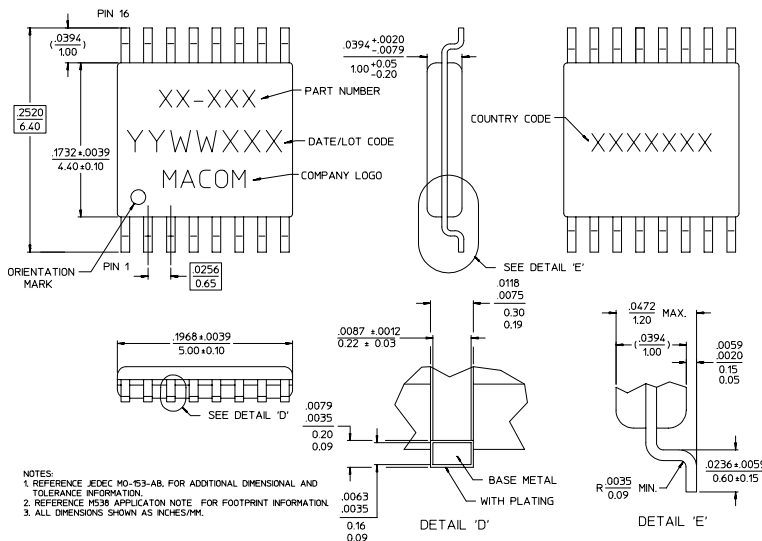
**Digital Attenuator, 4-Bit, Single Control**  
**30 dB, 0.5-2.0 GHz**

**AT-264**  
**V6**

**Typical Performance Curves**



**TSSOP-16**



NOTES:  
 1. REFERENCE JEDEC MO-53-AB, FOR ADDITIONAL DIMENSIONAL AND TOLERANCE INFORMATION.  
 2. REFERENCE HS39 APPLICATION NOTE FOR FOOTPRINT INFORMATION.  
 3. ALL DIMENSIONS SHOWN AS INCHES/MM.

M/A-COM Inc. and its affiliates reserve the right to make changes to the product(s) or information contained herein without notice. M/A-COM makes no warranty, representation or guarantee regarding the suitability of its products for any particular purpose, nor does M/A-COM assume any liability whatsoever arising out of the use or application of any product(s) or information.

- **North America** Tel: 800.366.2266 / Fax: 978.366.2266
- **Europe** Tel: 44.1908.574.200 / Fax: 44.1908.574.300
- **Asia/Pacific** Tel: 81.44.844.8296 / Fax: 81.44.844.8298

Visit [www.macom.com](http://www.macom.com) for additional data sheets and product information.