



晶采光電科技股份有限公司
AMPIRE CO., LTD.

SPECIFICATIONS FOR LCD MODULE

CUSTOMER	
CUSTOMER PART NO.	
AMPIRE PART NO.	AT-240160BFIQY-52H-A
APPROVED BY	
DATE	

- Approved For Specifications
 Approved For Specifications & Sample

AMPIRE CO., LTD.

**TOWER A, 4F, No.114, Sec. 1, HSIN-TAI 5th RD., HIS-CHIH,
TAIPEI HSIEN, TAIWAN(R.O.C.)**

台北縣汐止鎮新台五路一段114號4樓(東方科學園區A棟)

TEL:886-2-26967269, FAX:886-2-26967196 or 886-2-26967270

APPROVED BY	CHECKED BY	ORGANIZED BY

Date : 2005/1/26

AMPIRE CO., LTD.

RECORD OF REVISION

Revision Date	Section	Contents	Editor
2005/1/26	-	New Release	Kokai

Date : 2005/1/26

AMPIRE CO., LTD.

1 FEATURES

- (1) Display format : 240 × 160 dot-matrix
- (2) Construction : LCD , TAB IC, Yellow-green edge LED backlight, Bazel and PCB.
- (3) Display type : FSTN, Transflective , 6 o'clock view.
- (4) Controller : SED1335F0B ; 32K SRAM.
- (5) 5V single power input. Built-in DC/DC converter for LCD driving.
- (6) Built-in Temperature compensation circuit.
- (7) Extended temperature type.
- (8) Landscape or Portrait Display Type Selectable by Jumper Setting (Default : Landscape)
- (9) 80 or 68 Family MPU Selectable by Jumper Setting

2 MECHANICAL DATA

Parameter	Stand Value	Unit
Dot size	0.225(W) × 0.225(H)	mm
Dot pitch	0.24(W) × 0.24(H)	mm
Viewing area	67.6(W) × 47.5(H)	mm
Module size	74.6(W) × 55.9(H) × 8.7 max (T)	mm

3 ABSOLUTE MAXIMUM RATINGS

Parameter		Symbol	Min	Max	Unit
Logic Circuit Supply Voltage		VDD-VSS	-0.3	7.0	V
LCD Driving Voltage		VADJ-VSS	-0.3	26.0	V
Input Voltage		VI	-0.3	VDD+0.3	V
Extended temp. type	Operating Temp.	TOP	-20	70	°C
	Storage Temp.	TSTG	-30	80	°C

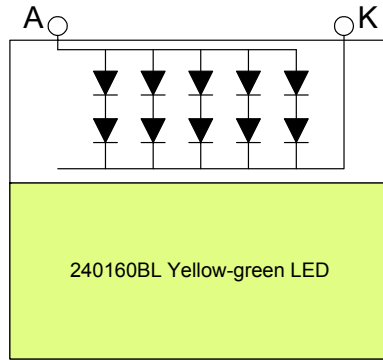
Date : 2005/1/26

AMPIRE CO., LTD.

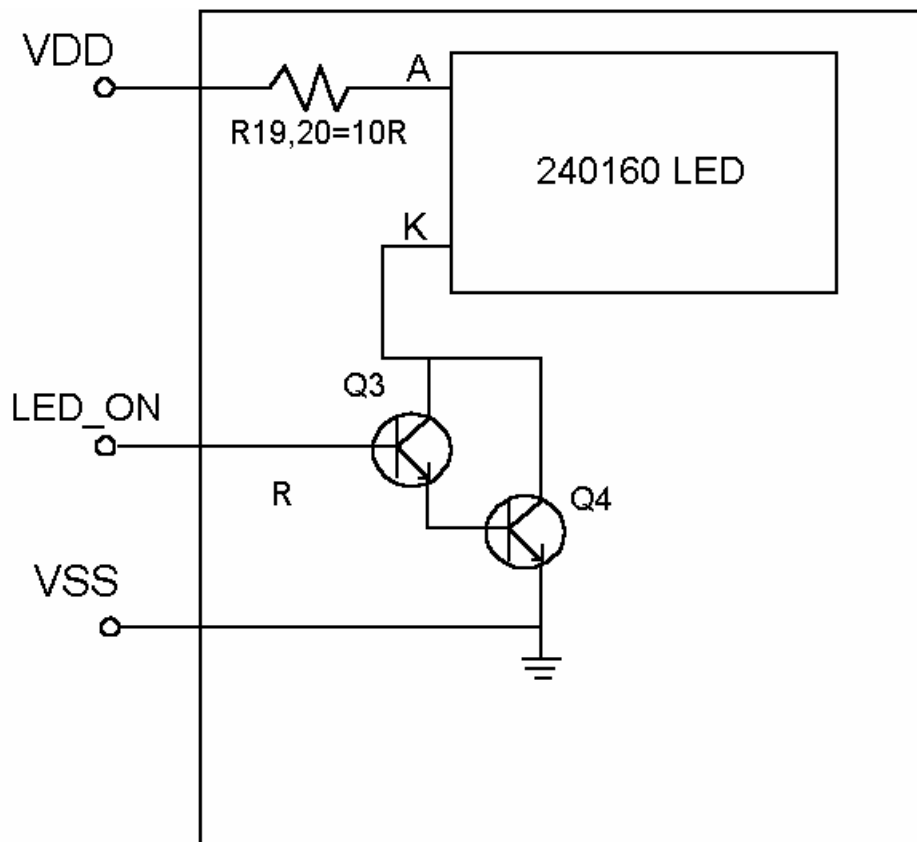
4 ELECTRO-OPTICAL CHARACTERISTICS

Parameter	Symbol	Condition	Min	Typ	Max	Unit	Note
----- Electronic Characteristics -----							
Logic Circuit Supply Voltage	VDD-VSS	--	4.5	5	5.5	V	
LCD Driving Voltage	V5-VSS	-20°C	20.0	21.1	22.3	V	
		25°C	17.81	18.8	19.8		
		70°C	14.9	15.7	16.6		
Input Voltage	VIH	--	0.8 VDD	--	VDD	V	
	VIL	--	VSS	--	0.2 VDD	V	
Logic Supply Current	IDD	VDD = 5V	--	40	--	mA	
Supply Current for LED backlight	I _{LED}	LEDA = 5V	--	100	--	mA	
----- Optical Characteristics -----							
Contrast	CR	25°C	2	5			Note 1
Rise Time	Tr	25°C	--	160	240	ms	Note 2
Fall Time	Tf	25°C	--	320	480	ms	
Viewing Angle Range	θf	25°C & CR≥2	25	--	--	Deg.	Note 3
	θb		40	--	--		
	θl		35	--	--		
	θr		25	--	--		
Frame Frequency	fF	25°C	--	64	--	Hz	
----- LED Back-light Characteristics -----							
Forward Voltage	VF	--	--	3.9	4.0	V	Supply Voltage between A&K
Forward Current	IF	VF=3.9V	--	50	--	mA	
LCM Luminous intensity		VF=3.9V	--	8	--	cd/m ²	

* LED Dice number = 2x5=10



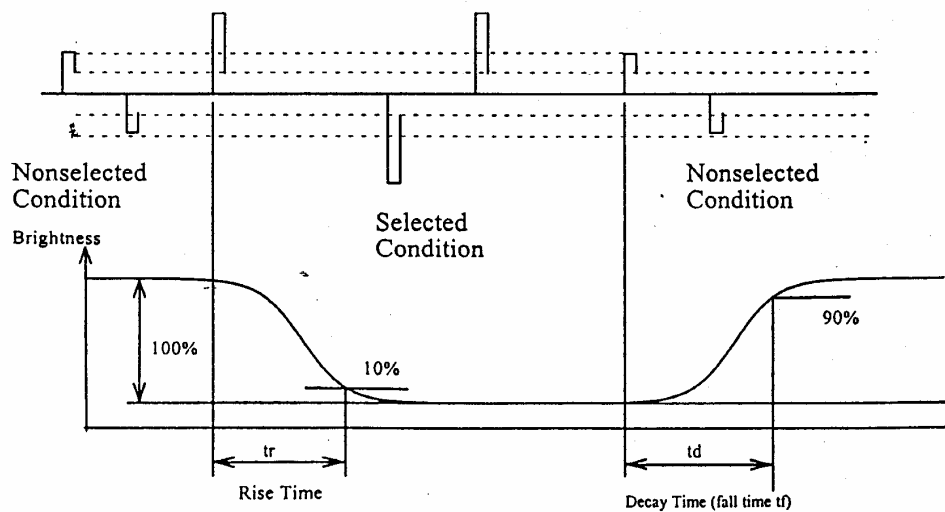
LED Driving Circuit:



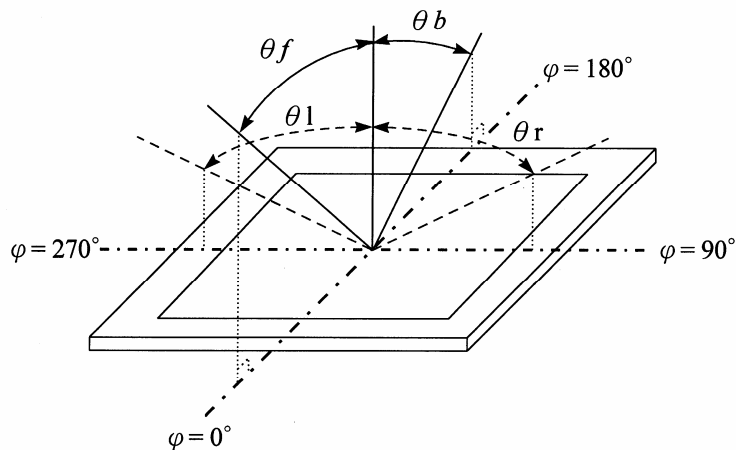
(NOTE 1) Contrast ratio :

$$CR = (\text{Brightness in OFF state}) / (\text{Brightness in ON state})$$

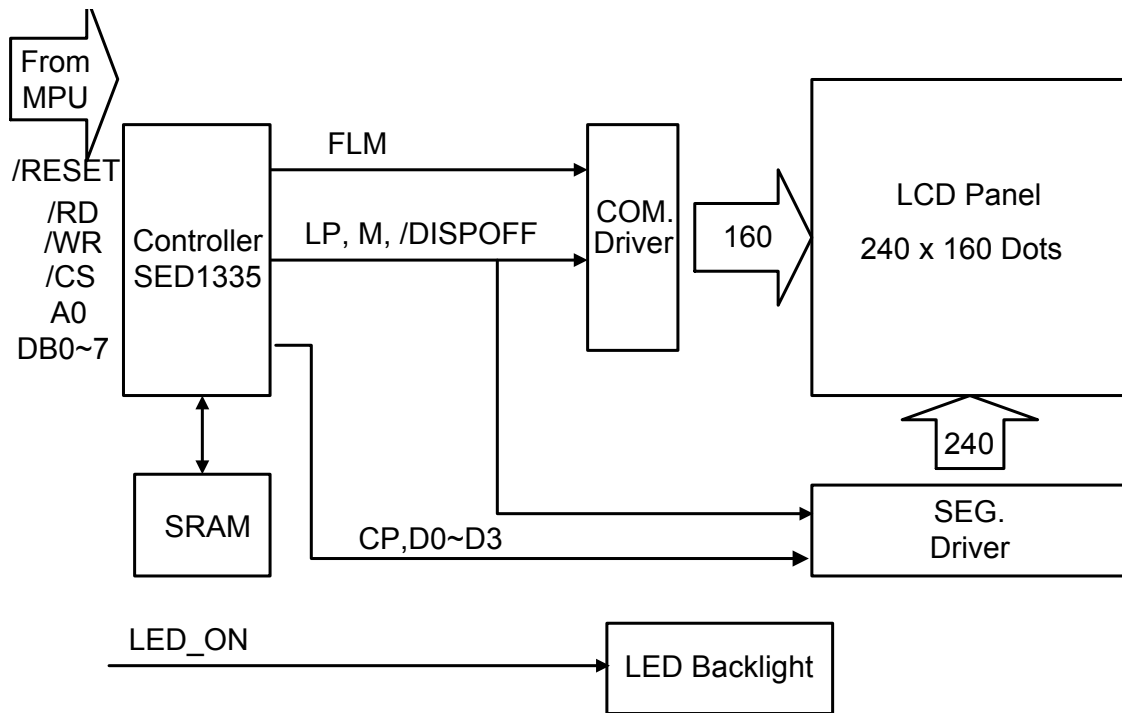
(NOTE 2) Response time :



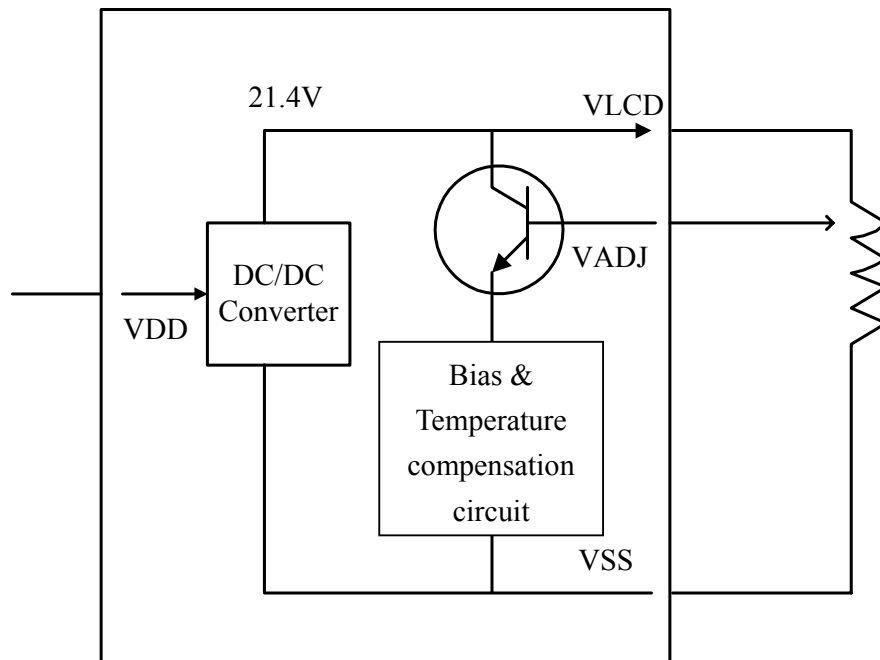
(NOTE 3) Viewing angle



5 BLOCK DIAGRAM



6 POWER SUPPLY CIRCUIT



7 INTERFACE DEFINITION

CN1: Interface of pure driver (* No Use in this LCM)

PIN NO.	SIGNAL	LEVEL	FUNCTION
1~20	NC	-	No Connection

CN2: LCM with Built-In Controller

PIN NO.	SIGNAL	LEVEL	FUNCTION
1	/RESET	H/L	Reset Signal
2	/RD	H/L	80 Series: Read Signal 68 Series: Enable Signal(E)
3	/WR	H/L	80 Series: Write Signal 68 Series: R/W Signal
4	/CS	H/L	Chip Select Signal
5	A0	H/L	Data Type Selection
6 ~ 13	DB0~DB7	H/L	Data Input(8 bits)
14	VDD	-	Power Supply for Logic(+5.0V)
15	VSS	-	Power Supply(Ground : 0V)
16	VLCD	-	Positive voltage output (+21.4V)
17	VADJ		Contrast Adjustment Input (VADJ-VSS = LCD driving voltage)
18	LED_ON	H/L	LED On/Off Signal; H: LED On L: LED Off
19	NC	--	No connection
20	NC	--	No connection

CN3: Inter-connection of Touch Panel

PIN NO.	SIGNAL	LEVEL	FUNCTION
1~4	NC	-	No Connection

8 TIMING CHARACTERISTICS

8.1 8080 Family Interface Timing

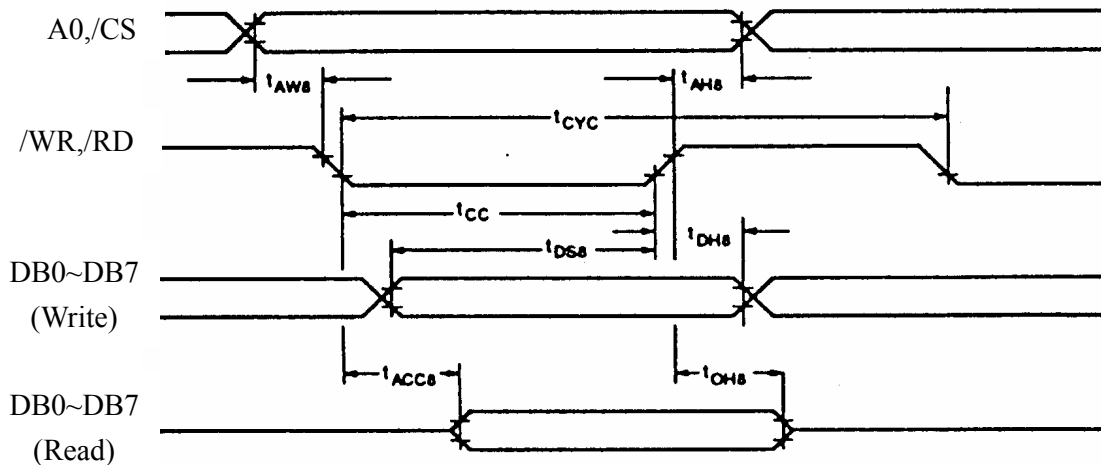
Parameter	Condition	Symbol	Min	Max	Unit	Remark
Address Hold Time	CL=100 pF VDD=2.7~4.5	tAH8	10		ns	A0,/CS
Address Setup Time		tAW8	0		ns	
System Cycle Time		tCYC	Note		ns	/WR,/RD
Strobe Pulse Width		tOC	150		ns	DB0~DB7
Data Setup Time		tDS8	120		ns	
Data Hold Time		tDH8	5		ns	
/RD Access Time		tACC8	-	80	ns	
Output Disable Time		tOH8	10	55	ns	

Note: For memory control and system control commands:

$$tCYC8=2tC+tOC+tCEA+75 > tACV +245$$

For all other commands:

$$tCYC8=4tC+tOC+30$$



8.2 6800 Family Interface Timing

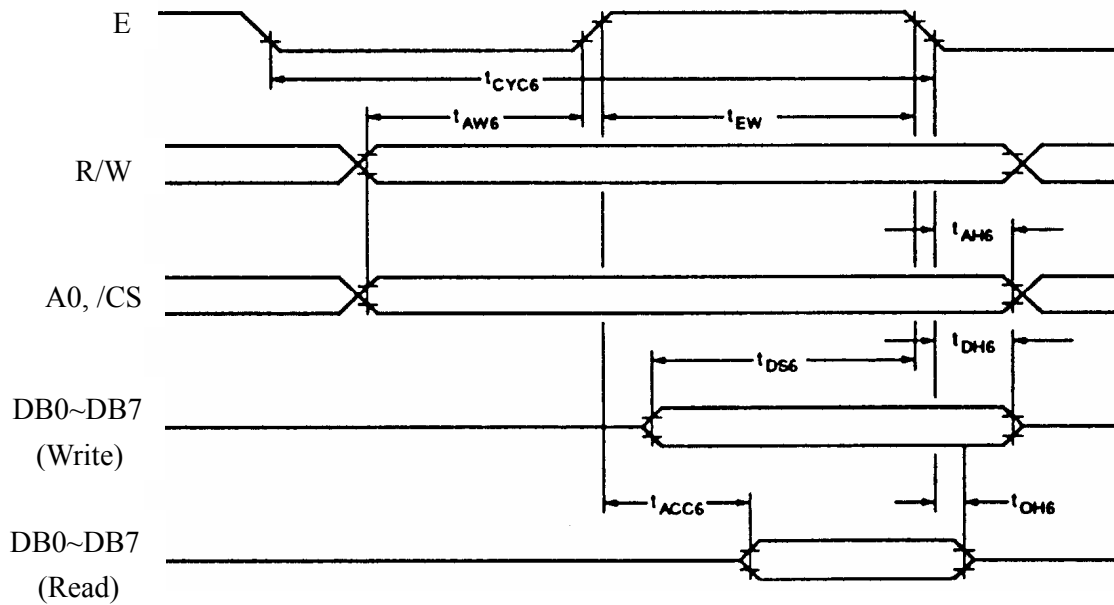
Parameter	Condition	Symbol	Min	Max	Unit	Remark
System Cycle Time	CL=100 pF VDD=2.7~4.5	tCYC6	Note		ns	A0,/CS, R/W
Address Setup Time		tAW6	10		ns	
Address Hold Time		tAH6	0		ns	
Data Setup Time		tDS6	120		ns	DB0~DB7
Data Hold Time		tDH6	0		ns	
Output Disable Time		tOH6	10	75	ns	
Access Time		tACC6	-	130	ns	
Enable Pulsewidth	tEW	150	-	ns	E	

Note: For memory control and system control commands:

$$tCYC6 = 2tC + tEW + tCEA + 75 > tACV + 245$$

For all other commands:

$$tCYC6 = 4tC + tEW + 30$$



AC Electrical Characteristics

9 INSTRUCTION SET

Class	Command	Code										Hex	Command Description	Command read parameters		
		/RD	/WR	A0	D7	D6	D5	D4	D3	D2	D1			D0	Number of bytes	Section
System Control	SYSTEM SET	1	0	1	0	1	0	0	0	0	0	0	40	Initialized Device and display	8	8.2.1
	SLEEP IN	1	0	1	0	1	0	1	0	0	1	1	53	Enter Standby mode	0	8.2.2
Display Control	DISP ON/OFF	1	0	1	0	1	0	1	1	0	0	D	58, 59	Enable and disable display and display flashing	1	8.3.1
	SCROLL	1	0	1	0	1	0	0	0	1	0	0	44	set Display start address and display regions	10	8.3.2
	CSRFORM	1	0	1	0	1	0	1	1	1	0	1	5D	Set cursor byte	2	8.3.3
	CGRAM ADDR.	1	0	1	0	1	0	1	1	1	0	0	5C	Set start address of character generator RAM	2	8.3.6
	CSRDIR	1	0	1	0	1	0	0	1	1	CD 1	CD 0	4C to 4F	Set direction of cursor movement	0	8.3.4
	HDOT SCR	1	0	1	0	1	0	1	1		1	0	5A	set horizontal scroll position	1	8.3.7
	OVLAY	1	0	1	0	1	0	1	1	0	1	1	5B	set display overlay format	1	8.3.5
Drawing Control	CSRW	1	0	1	0	1	0	0	0	1	1	0	46	set cursor address	2	8.4.1
	CSRR	1	0	1	0	1	0	0	0	1	1	1	47	read cursor address	2	8.4.2
Memory Control	MWRITE	1	0	1	0	1	0	0	0	0	1	0	42	write to display memory	-	8.5.1
	MREAD	1	0	1	0	1	0	0	0	0	1	1	43	read from display memory	-	8.5.2

Note:

- In general, the internal registers of the SED1335F are modified as each command parameter is input. However, the microprocessor does not have to set all the parameters of a command and may send a new command before all parameters have been input. The internal registers for the parameters that have been input will have been changed but the remaining parameter registers are unchanged.
 - 2 bytes parameters(where two bytes are treated as 1 data item) are handled as following:
 - CSRW, CSRR: Each byte is processed individually. The microprocessor may read or write just the low byte of the cursor address.
 - SYSTEM SET, SCROLL, CGRAM ADR. : Both parameter bytes are processed together. If the command is changed after half of the parameter has been input, the single byte is ignored.
- APL and APH are 2-byte parameters, but are treated as two 1-byte parameters.
- Please refer to SED1335F LCD Controller Data Book for detail.

10 INNER DATA FORMAT

→

	SEG1		SEG240														
#1	D7	D6	D5	D4	D3	D2	D1	D0	-	D7	D6	D5	D4	D3	D2	D1	D0
#2	D7	D6	D5	D4	D3	D2	D1	D0	-	D7	D6	D5	D4	D3	D2	D1	D0
#160	D7	D6	D5	D4	D3	D2	D1	D0	-	D7	D6	D5	D4	D3	D2	D1	D0

Landscape Display Type(Top View)

	COM1		COM160																
#1	D7	D7																	D7
#2	D6	D6																	D6
	D5	D5																	D5
	D4	D4																	D4
	D3	D3																	D3
	D2	D2																	D2
	D1	D1																	D1
	D0	D0																	D0
	D2	D2																	D2
	D1	D1																	D1
#240	D0	D0																	D0

Portrait Display Type (Top View)

11 JUMPER SETTING

Item	Option	Jumper Setting	Remark
Display Type	Landscape (default)	Pin 1,2 short on JP1&JP2	
	Portrait	Pin 2,3 short on JP1&JP2	
MPU	80 family (default)	Pin 1,2 short on JP3	
	68 family	Pin 2,3 short on JP3	

12 QUALITY AND RELIABILITY

12.1 TEST CONDITIONS

Tests should be conducted under the following conditions :

Ambient temperature : $25\pm 5^{\circ}\text{C}$

Humidity : $60\pm 25\%$ RH.

12.2 SAMPLING PLAN

Sampling method shall be in accordance with MIL-STD-105E , level II, normal single sampling plan .

12.3 ACCEPTABLE QUALITY LEVEL

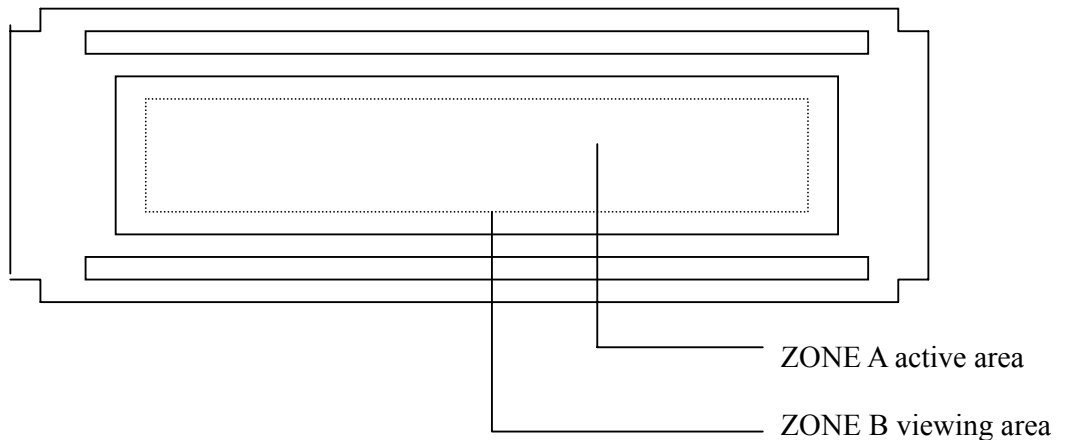
A major defect is defined as one that could cause failure to or materially reduce the usability of the unit for its intended purpose. A minor defect is one that does not materially reduce the usability of the unit for its intended purpose or is an infringement from established standards and has no significant bearing on its effective use or operation.

12.4 APPEARANCE

An appearance test should be conducted by human sight at approximately 30 cm distance from the LCD module under fluorescent light. The inspection area of LCD panel shall be within the range of following limits.

12.5 INSPECTION QUALITY CRITERIA

Item	Description of defects			Class of Defects	Acceptable level (%)	
Function	Short circuit or Pattern cut			Major	0.65	
Dimension	Deviation from drawings			Major	1.5	
Black spots	Ave . dia . D	area A	area B	Minor	2.5	
	$D \leq 0.2$	Disregard				
	$0.2 < D \leq 0.3$	3	4			
	$0.3 < D \leq 0.4$	2	3			
	$0.4 < D$	0	1			
Black lines	Width W, Length L		A	B	Minor	2.5
	$W \leq 0.03$		disregard			
	$0.03 < W \leq 0.05$		3	4		
	$0.05 < W \leq 0.07, L \leq 3.0$		1	1		
	See line criteria					
Bubbles in polarizer	Average diameter D $0.2 < D < 0.5$ mm for N = 4 , D > 0.5 for N = 1			Minor	2.5	
Color uniformity	Rainbow color or newton ring.			Minor	2.5	
Glass Scratches	Obvious visible damage.			Minor	2.5	
Viewing angle	See note 3			Minor	2.5	
Contrast ratio	See note 1			Minor	2.5	
Response time	See note 2			Minor	2.5	



12.6 RELIABILITY

Test Item	Test Conditions		Note
	Normal Temp. type	Extended Temp. type	
High Temperature Operation	50±3°C , t=96 hrs	70±3°C , t=96 hrs	
Low Temperature Operation	0±3°C , t=96 hrs	-20±3°C , t=96 hrs	
High Temperature Storage	70±3°C , t=96 hrs	80±3°C , t=96 hrs	1,2
Low Temperature Storage	-20±3°C , t=96 hrs	-30±3°C , t=96 hrs	1,2
Temperature Cycle	-20°C ~ 25°C ~ 70°C 30 m in. 5 min. 30 min. (1 cycle) Total 5 cycle	-30°C ~ 25°C ~ 80°C 30 min. 5 min. 30 min. (1 cycle) Total 5 cycle	1,2
Humidity Test	40 °C, Humidity 90%, 96 hrs		1,2
Vibration Test (Packing)	Sweep frequency : 10 ~ 55 ~ 10 Hz/1min Amplitude : 0.75mm Test direction : X.Y.Z/3 axis Duration : 30min/each axis		2

Note 1 : Condensation of water is not permitted on the module.

Note 2 : The module should be inspected after 1 hour storage in normal conditions
(15-35°C , 45-65%RH).

Definitions of life end point :

- Current drain should be smaller than the specific value.
- Function of the module should be maintained.
- Appearance and display quality should not have degraded noticeably.
- Contrast ratio should be greater than 50% of the initial value.

MTBF=100,000 Hours

LCD Life is 300,000 Hours.

LED Life is 100,000 Hours.

IC, R & C Life are 100,000 Hours.

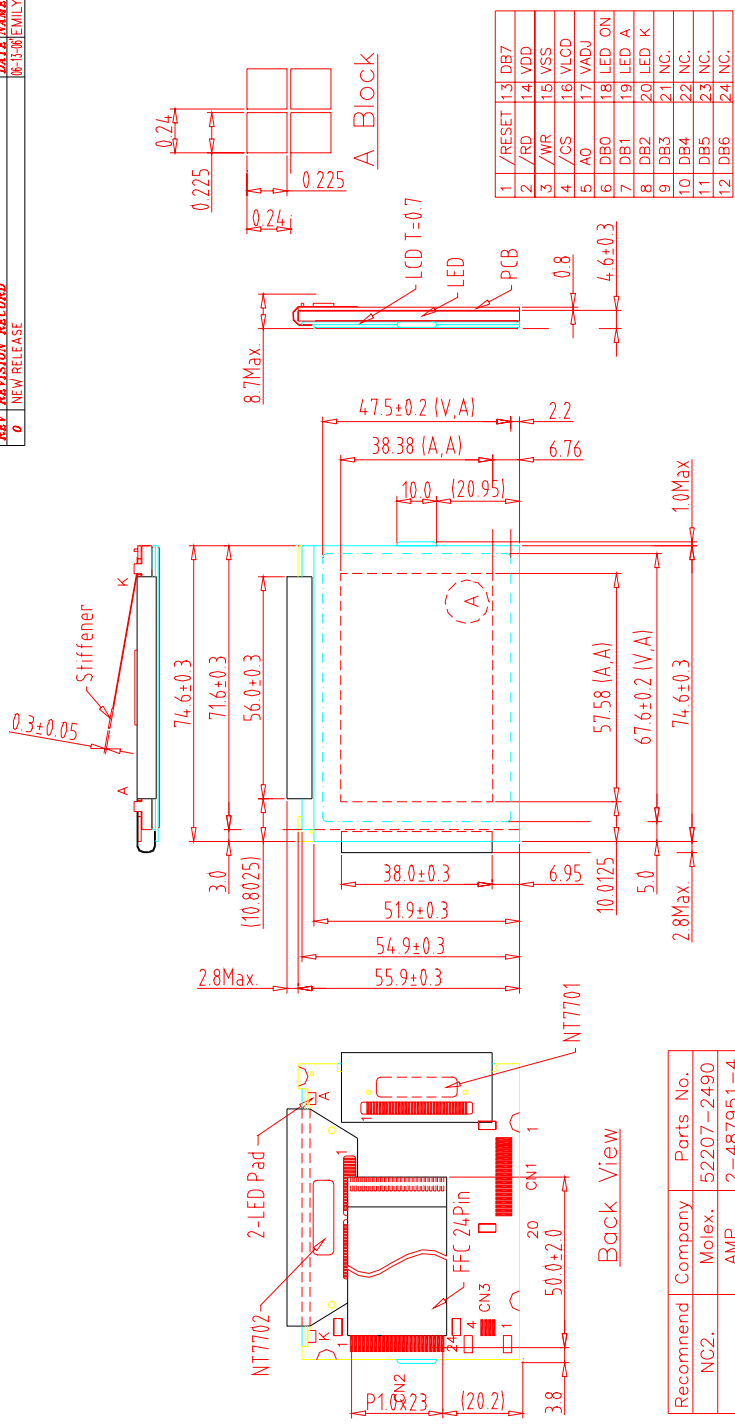
PCB and Bezel are 1,000,000 Hours.

13 HANDLING PRECAUTIONS

- (1) An LCD module is a fragile item and should not be subjected to strong mechanical shocks.
- (2) Avoid applying pressure to the module surface. This will distort the glass and cause a change in colour.
- (3) Under no circumstances should the position of the bezel tabs or their shape be modified.
- (4) Do not modify the display PCB in either shape or positioning of components.
- (5) Do not modify or move location of the zebra or heat seal connectors.
- (6) The device should only be soldered to during interfacing. Modification to other areas of the board should not be carried out.
- (7) In the event of LCD breakage and resultant leakage of fluid do not inhale, ingest or make contact with the skin. If contact is made rinse immediately.
- (8) When cleaning the module use a soft damp cloth with a mild solvent, such as Isopropyl or Ethyl alcohol. The use of water, ketone or aromatic is not permitted.
- (9) Prior to initial power up input signals should not be applied.
- (10) Protect the module against static electricity and observe appropriate anti-static precautions.

14 OUTLINE DIMENSION

REV. REVISION RECORD	DATE NAME
0 NEW RELEASE	06-13-03 EMILY



1	/RESET	13	DB7
2	/RD	14	VDD
3	/WR	15	VSS
4	/CS	16	VCCD
5	A0	17	VADJ
6	DB0	18	LED ON
7	DB1	19	LED A
8	DB2	20	LED K
9	DB3	21	NC.
10	DB4	22	NC.
11	DB5	23	NC.
12	DB6	24	NC.

Recommend	Company	Parts No.
NC2.	Molex.	52207-2490
	AMP.	2-487951-4

Note:
 1. Unless indicated, Tolerance Grade "B" is adopted.
 2. RTV Glue For OLB Protection.

AMP. 晶采光電科技		DATE	06-13-03	TITLE	240160BQ-52
1	7	DATE		DWG. NO.	*O30613MA
2	8	DATE		CHK.	
3	9	DATE		APPD.	
4	10	DATE		PARTS NO. LCM	240160BQ-62
5	11	DATE			
6	12	DATE			