

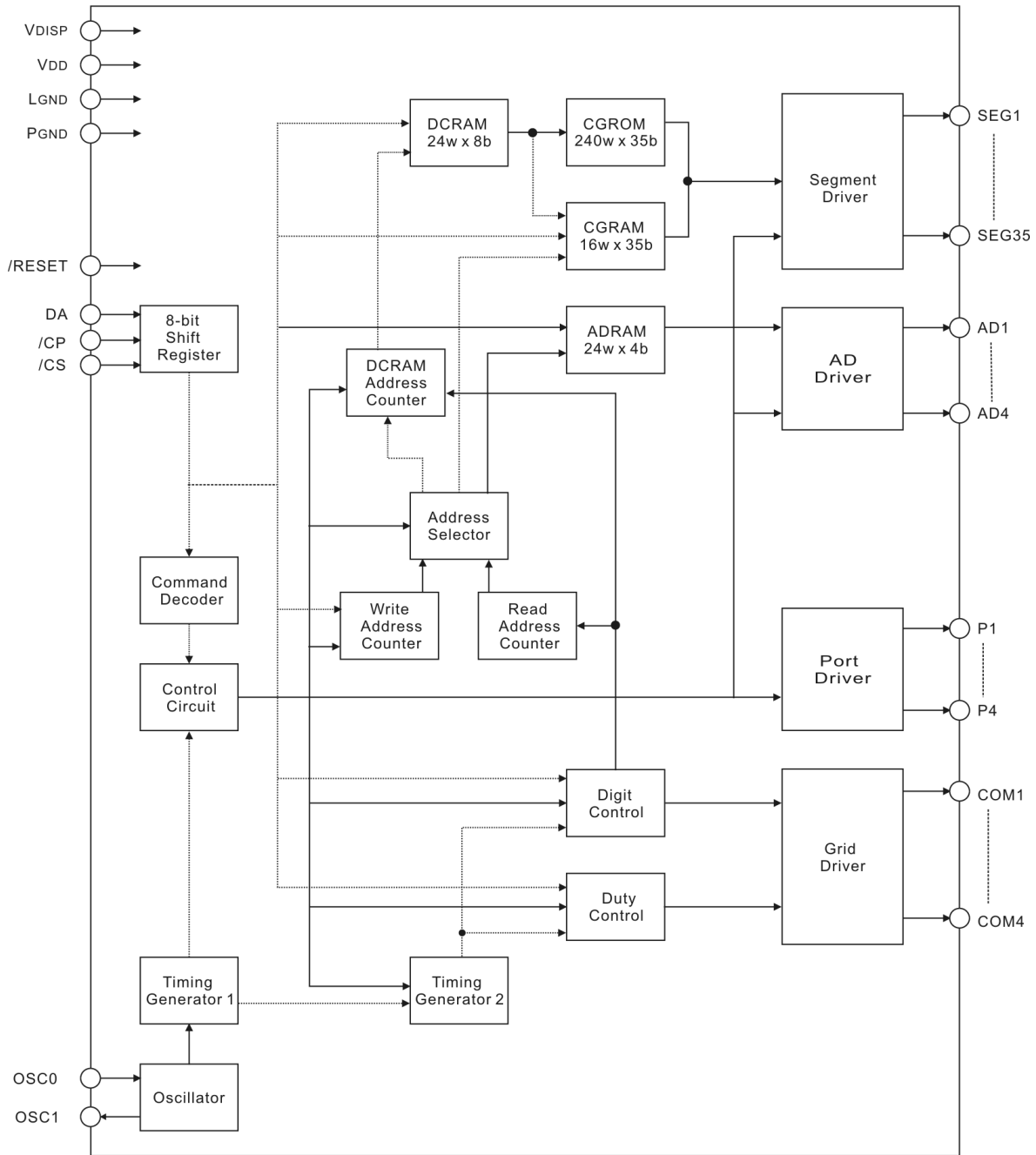
DESCRIPTION

The PT6321 is a dot matrix fluorescent display tube controller driver IC which displays characters, numerics and symbols. Dot matrix fluorescent display tube drive signals are generated by serial data sent from a microcontroller. A display system is easily realized by internal ROM and RAM for character display.

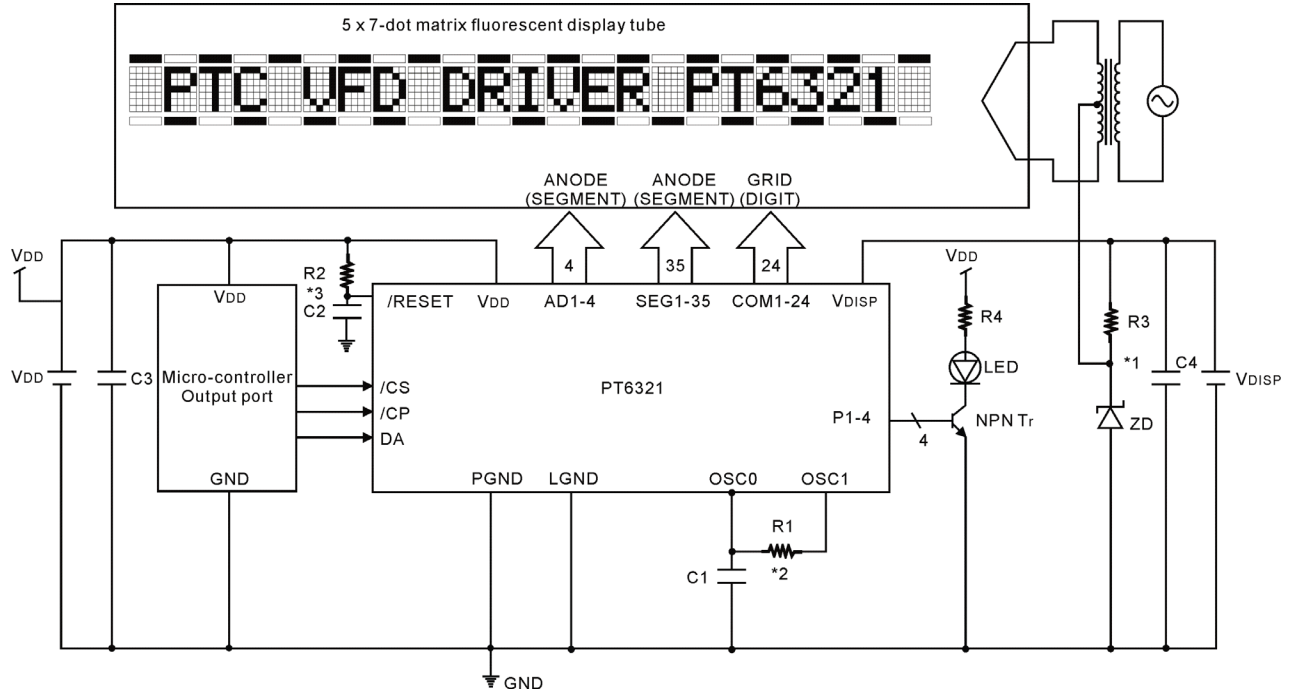
FEATURES

- Logic power supply(V_{DD}): $3.3V \pm 10\%$ / $5.0V \pm 10\%$
- Fluorescent display tube drive power supply (V_{DISP}): 20V~60V
- VFD driver output current (VFD driver output can directly be connected to the fluorescent display tube. No pull-down resistor is required.)
 - Segment driver (SEG1 to SEG35): -5.0mA ($V_{DISP}=60V$)
 - Segment driver (AD1 to AD4): -10.0mA ($V_{DISP}=60V$)
 - Grid driver (COM1 to COM24): -20.0mA ($V_{DISP}=60V$)
- General output port output current
 - Output driver (P1-4): $\pm 1.0mA$ ($V_{DD}=3.3V \pm 10\%$)
 $\pm 2.0mA$ ($V_{DD}=5.0V \pm 10\%$)
- Content of display
 - CGROM: 5x7 dots, 240 types (character data)
 - CGRAM: 5x7 dots, 16 types (character data)
 - ADRAM: 24 (display digit) x 4 bits (symbol data)
 - DCRAM: 24 (display digit) x 8 bits (register for character data display)
 - General output port: 4 bits (static mode)
- Display control function
 - Display digit: 9 to 24 digits
 - Display duty (contrast adjustment): 8 stages
 - All lights ON/OFF
- 3 interfaces with microcontroller: DA, /CS, /CP(4 interfaces if /RESET is added)
- 1-byte instruction execution (excluding data write to RAM)
- Built-in oscillation circuit (external C and R)
80-pin plastic LQFP (LQFP80-P-1414-0.65-K)

BLOCK DIAGRAM



APPLICATION CIRCUIT



Notes:

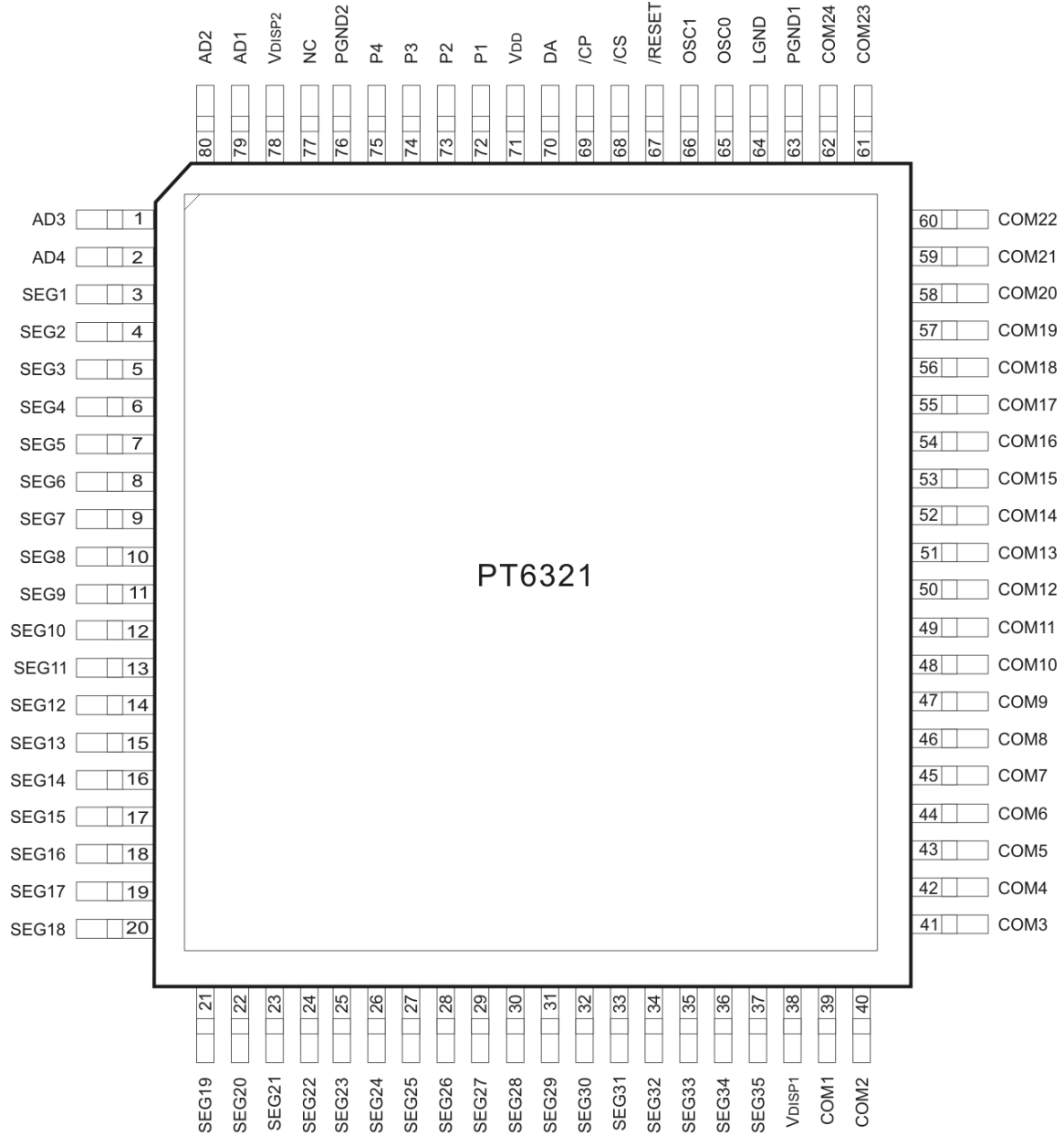
- *1. The V_{DISP} voltage depends on the fluorescent display tube used. Adjust the value of the constants R3 and ZD to the V_{DISP} voltage used.
- *2. The value of R1 & C1 depend on PT6321 supply voltage of V_{DD} ($V_{DD}=5V$: R1=3.3K Ω , C1=47pF; $V_{DD}=3.3V$: R1=3.3K Ω , C1=39pF)
- *3. R2=1K Ω , C2=0.1 μ F



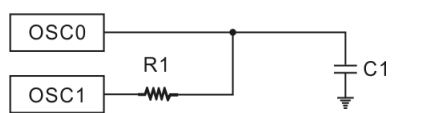
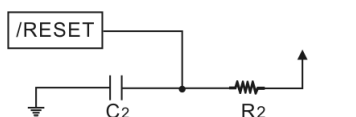
ORDER INFORMATION

Valid Part Number	Package Type	Top Code
PT6321-LQ	80 Pins, LQFP	PT6321-LQ

PIN CONFIGURATION



PIN DESCRIPTION

Pin Name	I/O	Connects to	Description	Pin No
AD1~4	O	Fluorescent tube anode electrode	Fluorescent display tube anode electrode drives output. Directly connected to fluorescent display tube. No pull-down resistor is required. $I_{OH} > -10.0\text{mA}$	1,2,79,80
SEG1~35	O	Fluorescent tube anode electrode	Fluorescent display tube anode electrode drives output. Directly connected to fluorescent display tube. No pull-down resistor is required. $I_{OH} > -5.0\text{mA}$	3-37
$V_{DISP1\sim2}$		Power supply	V_{DISP} -PGND are power supplies for driving fluorescent tubes	38,78
COM1~24	O	Fluorescent tube grid electrode	Fluorescent display tube grid electrode drives output. Directly connected to fluorescent display tube. No pull-down resistor is required. $I_{OH} > -20.0\text{mA}$	39-62
PGND1~2		Power supply	High Voltage GND pin	63,76
LGND		Power supply	Logic GND pin	64
OSC0	I	C_1, R_1	Connect R and C externally. The RC time constant depends on the VDD voltage used. Set the target oscillation frequency to 2 MHz.	65
OSC1	O		 (RC oscillation circuit) See Application Circuit)	66
/RESET	I	Microcontroller or C_2, R_2	Reset input. Setting this pin to "Low" initializes all the functions. The initial status is as follows. <ul style="list-style-type: none"> • Address of each RAM..... address "00"H • Data of each RAM..... Content is undefined • Number of display digits..... 24 digits • Contrast adjustment..... 8/16 • All lights ON or OFF....OFF mode • All outputs..... "Low" level 	67
		 (Circuit when R and C are connected externally) See application Circuit		
/CS	I	Microcontroller	Chip select input Setting this pin to "H" disables serial data transfer.	68
/CP	I	Microcontroller	Shift clock input. Serial data is shifted on the rising edge of /CP.	69
DA	I	Microcontroller	Serial data input (positive logic). Input from LSB.	70
V_{DD}		Power supply	Logic Voltage Pin	71
P1~4	O	LED drive control terminals	General port output. Output of these pins in static operation, so these pins can drive the LED. $I_{OH} > -2.0\text{mA}$	72-75

IMPORTANT NOTICE

Princeton Technology Corporation (PTC) reserves the right to make corrections, modifications, enhancements, improvements, and other changes to its products and to discontinue any product without notice at any time.

PTC cannot assume responsibility for use of any circuitry other than circuitry entirely embodied in a PTC product. No circuit patent licenses are implied.

Princeton Technology Corp.
2F, 233-1, Baociao Road,
Sindian, Taipei 23145, Taiwan
Tel: 886-2-66296288
Fax: 886-2-29174598
<http://www.princeton.com.tw>