

Precision Resistor Type PMA

Spec Sheet R501-1/2 01/99

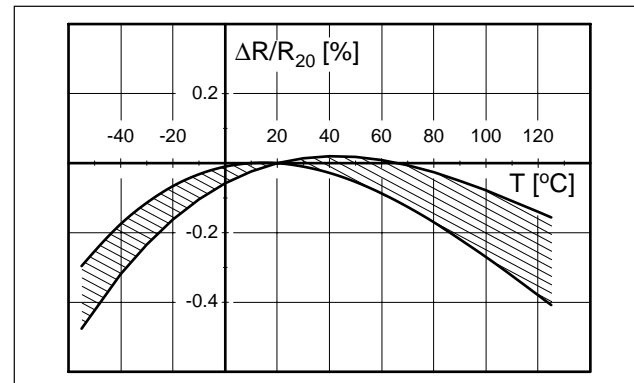
Technical data	
resistance range	2mOhm - 500mOhm
tolerances	1%, 5%
temperature coefficient tcr (R > 20mOhm)	< ±30ppm/K (20°C to 60°C)
applicable temperature range	-55°C to +125°C
load capacity	3W
thermal resistance to ambiente	Rth < 10K/W
dielectric withstanding voltage	100VAC
inductance	< 10nH
stability	deviation <0.5% after 2,000h

Remarks: - Standard resistance values according to E12 with the additional values of 2 and 5
 - Minimum quantity of other values on request

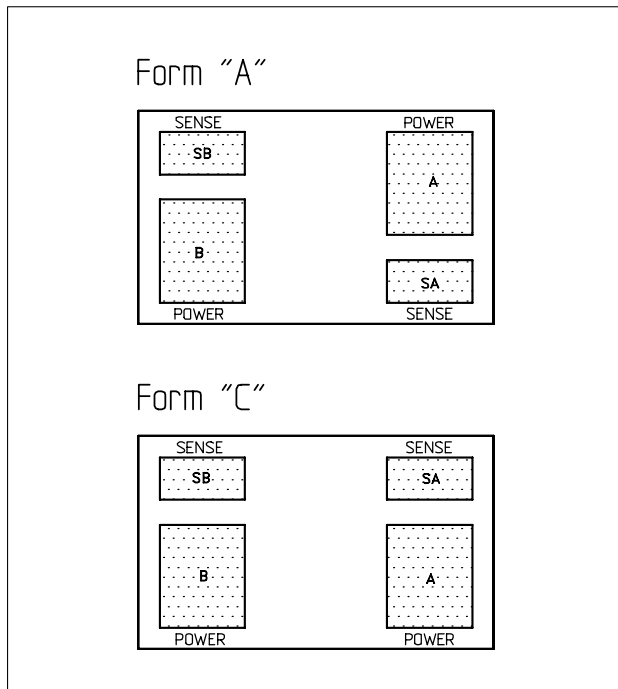
This resistor has been developed especially for current sense applications in SMD-power modules.

The **PMA** has been designed for flip-chip mounting on the pc-board. All standard soldering processes like reflow-, infrared-, vapor phase-, dip- and wave-soldering can be used.

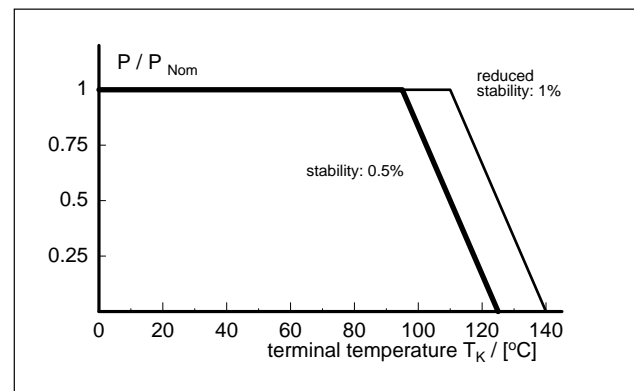
The heat which is generated by the measuring current is conducted very efficiently to the pc-board via the heat conductive substrate and the solder joints.



Temperature dependence of the electrical resistance of ISA-PLAN resistors



pad size (bottom view)

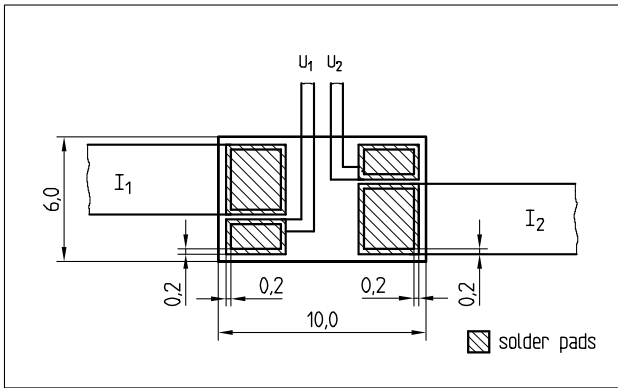


power derating curve

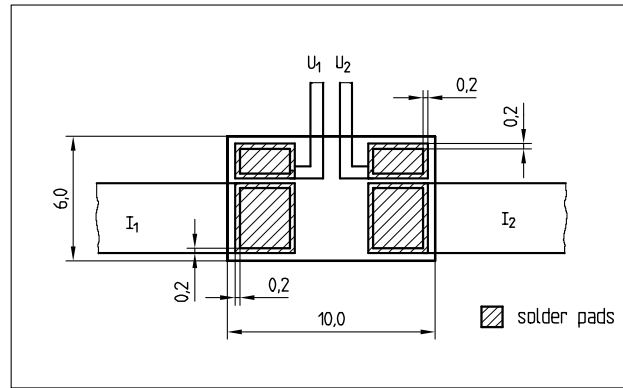
RHOPOINT COMPONENTS LTD

Holland Road, Hurst Green, Oxted, Surrey, RH8 9AX, ENGLAND

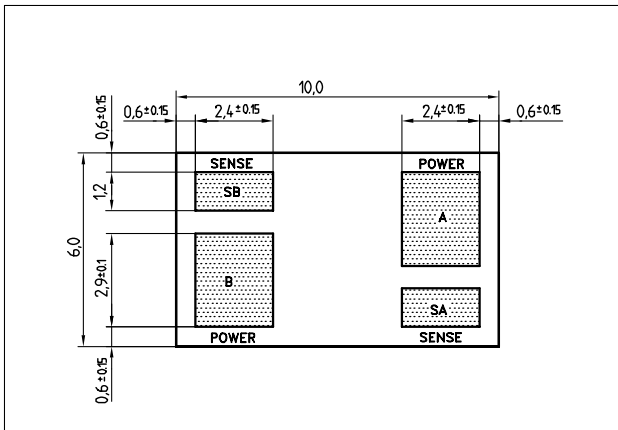
Tel: +44/01883 717988, Fax: +44/01883 712938, Email: sales@rhpointcomponents.com Website: www.rhpointcomponents.com



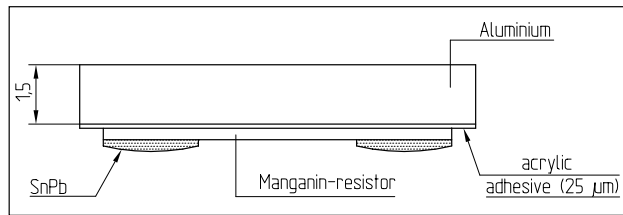
proposal for pc-board layout - form A



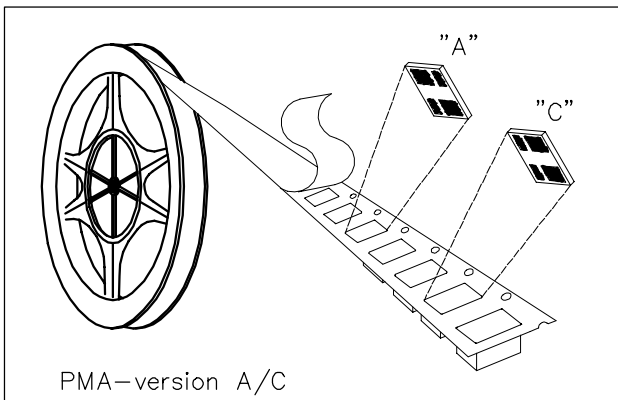
proposal for pc-board layout - form C



dimensions (mm)



Tape & Reel information



16 mm belt according to DIN IEC 286-3
 parts/reel: 2500 pcs

ordering example: PMA-C - R010 - 5			
type	version	resistance value	tolerance
PMA	C	10 mOhm	5 %

(Technical modifications reserved)

RHOPOINT COMPONENTS LTD

Holland Road, Hurst Green, Oxted, Surrey, RH8 9AX, ENGLAND

Tel: +44/01883 717988, Fax: +44/01883 712938, Email: sales@rhpointcomponents.com Website: www.rhpointcomponents.com