

SEVEN SEGMENT NUMERIC DISPLAY

High Performance GaP, GaAsP red LED Dice
0.56 inch Character Height
High Contrast
Wide Viewing Angle
Common Anode - MS457A
Common Cathode - MS457C

ABSOLUTE MAXIMUM RATINGS

Power Dissipation / Segment	40mW
Peak Forward Current / Segment	60mA
Continuous Forward Current / Segment	15mA
Reverse Voltage / Segment	5V
Operating Temperature Range	-25 to +85°C
Storage Temperature Range	-25 to +85°C

* Note : Pulse Width = 1mS, Duty Ratio = 1/10.

ELECTRO-OPTICAL CHARACTERISTICS (Ta=25°C)

PARAMETER	SYMBOL	MIN	TYP	MAX	UNIT	CONDITIONS
Forward Voltage	V _F			3.0	V	I _F =20mA
Luminous Intensity	I _V	400	600		μcd	I _F =10mA
Segment to Segment Luminous Intensity Ratio				2:1		I _F =20mA
Peak Wavelength	λ _p		700		nm	I _F =20mA
Spectral Line Half Width	Δλ		100		nm	I _F =20mA



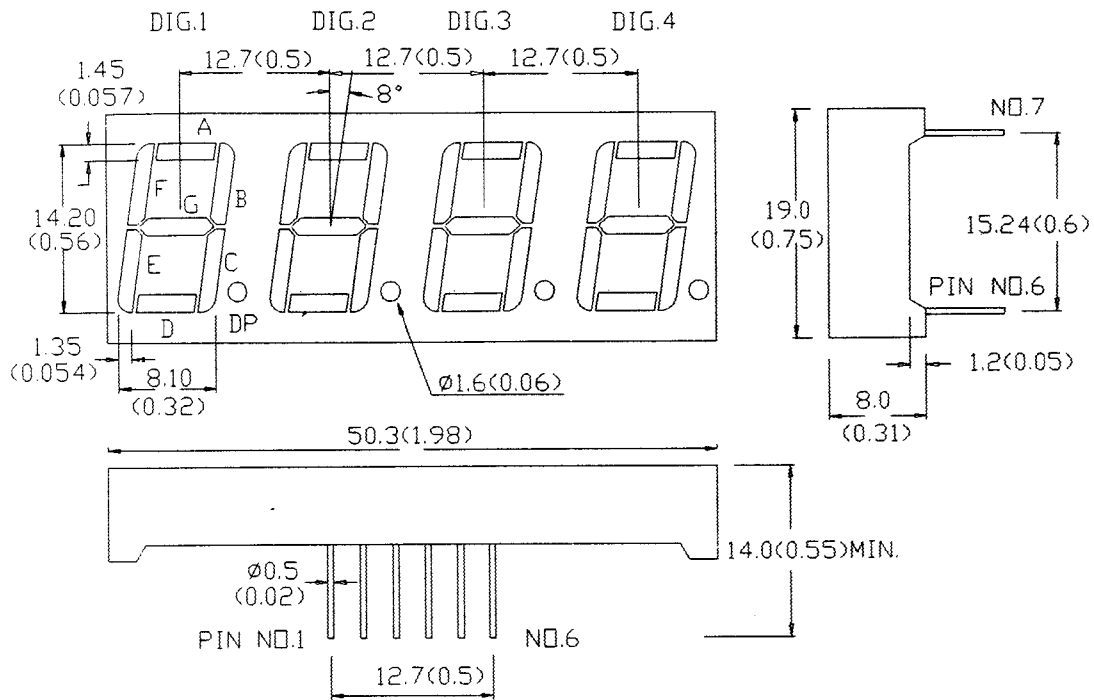
MICRO ELECTRONICS LTD.

38, Hung To Road, Microtron Building, Kwun Tong, Kowloon, Hong Kong.
Kwun Tong P.O. Box 69477 Hong Kong. Fax No. 2341 0321 Telex:43510 Micro Hx. Tel: 2343 0181-5

Jun-96

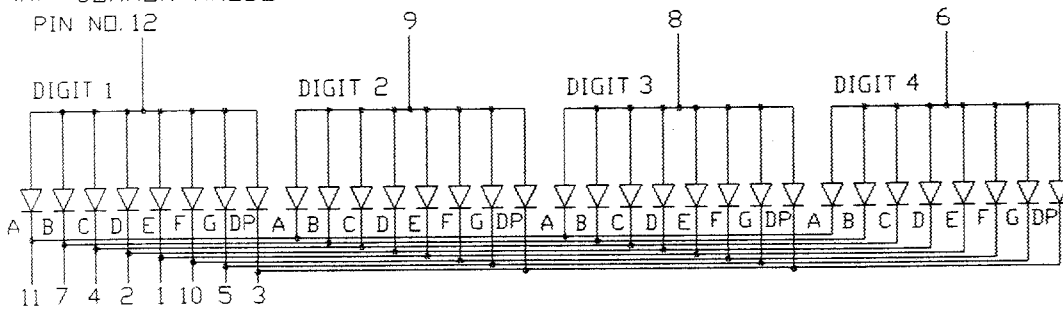
MS457

MECHANICAL OUTLINE:

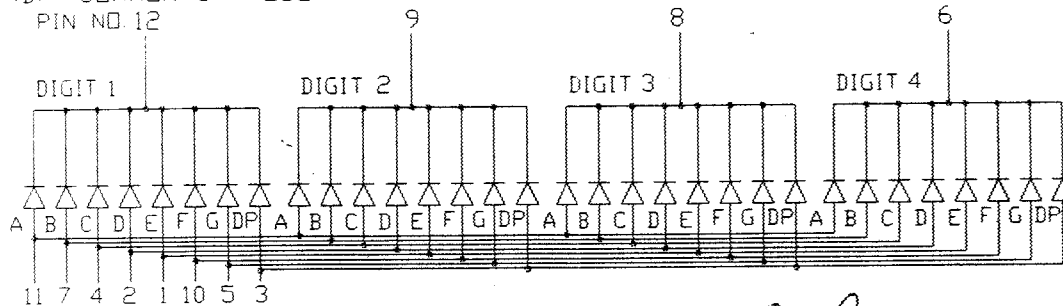


CIRCUIT DIAGRAM:

(A) COMMON ANODE:
PIN NO. 12



(B) COMMON CATHODE:
PIN NO. 12



Chul ... 22/6/96