

FEATURES PXO (Quarzoszillatoren)

- HIGH RELIABILITY FOR LOW COST
- FREQUENCY STABILITY TO +25 PPM
- AVAILABLE IN 5.0 AND 3.3 VOLT
- STANDARD DIP 14 AND DIP 8 PACKAGE
- EXCELLENT CLOCK SIGNAL GENERATOR FOR DSP'S AND CPU'S
- EXTENDED TEMPERATURE RANGE TO -40/+85°C



PETERMANN

TECHNIK

Time & Frequency Components

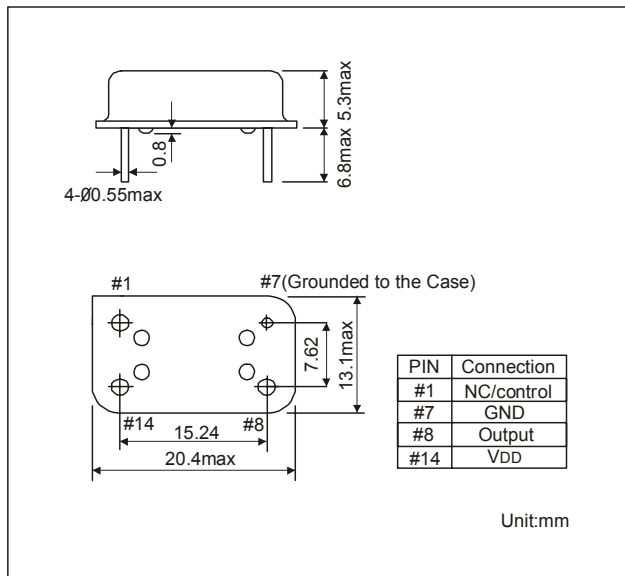
SERIES		CXOF	CXOH
PACKAGE		14 PIN DIP	8 PIN DIP
FREQUENCY RANGE		1.0 ~ 80.0 MHz	
FREQUENCY STABILITY		+25 ~ +-100 ppm	
OPERATING TEMPERATURE RANGE		0/+70°C ~ -40/+85°C	
INPUT	VOLTAGE	+5.0 VDC +-10%	
		+3.3 VDC +-10%	
	CURRENT	1 ~ 4.0 MHz = 10 mA max.	
4.0 ~ 32.0 MHz = 30 mA max.			
32.0 ~ 80.0 MHz = 45 mA max.			
OUTPUT	SYMMETRY	STANDARD	40/60%
		OPTION	45/55%
	RISE AND FALL TIME		5 ns typical / 10 ns max.
	"0" LEVEL	TTL 5 VOLT	0.4 V max.
	"1" LEVEL		+2.4 V min.
	"0" LEVEL	CMOS 5 VOLT	0.4 V (10% VDD)
	"1" LEVEL		+4.5 V (90%VDD)
	"0" LEVEL	TTL 3.3 VOLT	0.4 V max.
	"1" LEVEL		+1.4 V min.
	"0" LEVEL	CMOS 3.3 VOLT	0.1 V (10% VDD)
"1" LEVEL	+2.97 V (90%VDD)		
LOAD	TTL	1 ~ 10 TTL	
	CMOS	15 ~ 50 pF	
PIN 1	STANDARD	WITHOUT ENABLE/DISABLE FUNCTION	
	OPTION	WITH ENABLE/DISABLE FUNCTION	
OTHER PARAMETERS ARE AVAILABLE ON REQUEST / CREATE HERE YOUR SPECIFICATION			

PART NUMBERING SYSTEM

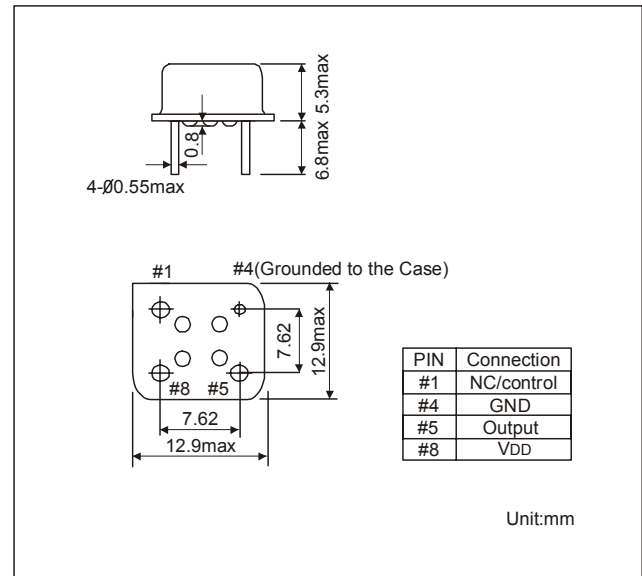
EXAMPLE	CXOH-3-S-E-50-W-27.000MHz
SERIES	CXOF OR CXOH
INPUT VOLTAGE	BLANK FOR 5 VOLT
	3 FOR 3.3 VOLT
SYMMETRY	BLANK FOR 40/60%
	S FOR 45/55%
PIN 1	BLANK FOR NO E/D
ENABLE/DISABLE	E FOR E/D
FREQUENCY STABILITY	BLANK FOR 100 PPM
	ANY 50 ~ 15 PPM
TEMPERATURE RANGE	BLANK FOR 0/+70°C
	N = -10/+60°C
	M = -20/+70°C
	W = -40/+85°C

PETERMANN-TECHNIK | Amselweg 8 | D-86916 Kaufering
 Fon: 00 49 (0) 81 91 / 30 53 95 | Fax: 00 49 (0) 81 91 / 30 53 97
<http://www.petermann-technik.de> | info@petermann-technik.de

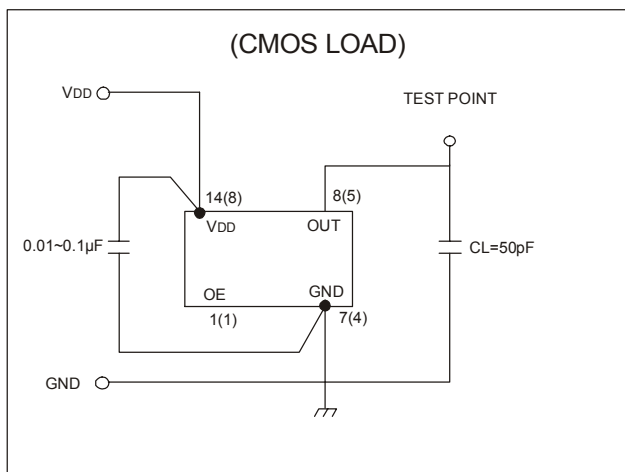
OUTLINE DRAWING OF DIP 14 PACKAGE



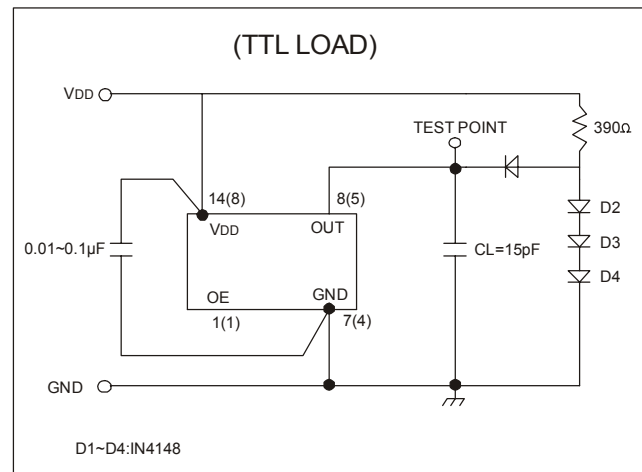
OUTLINE DRAWING OF DIP 8 PACKAGE



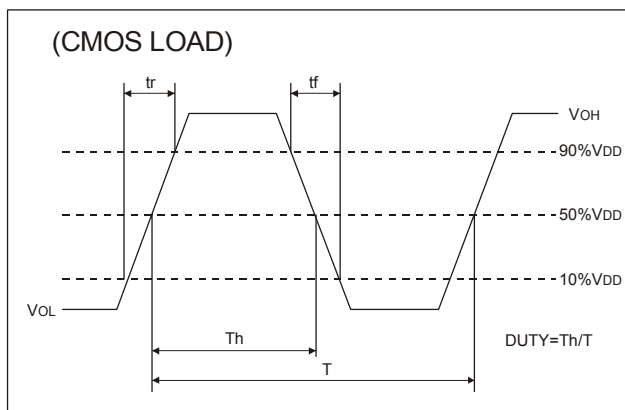
TEST CIRCUIT FOR CMOS



TEST CIRCUIT FOR TTL



CMOS OUTPUT WAVE FORM



TTL OUTPUT WAVE FORM

