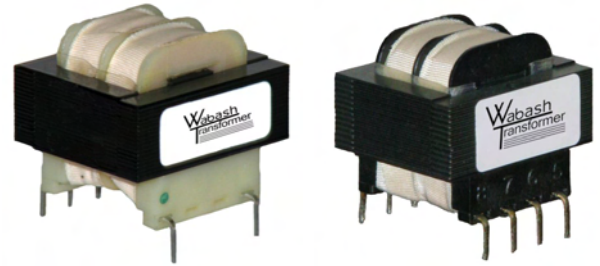


Split Bobbin Power Transformer

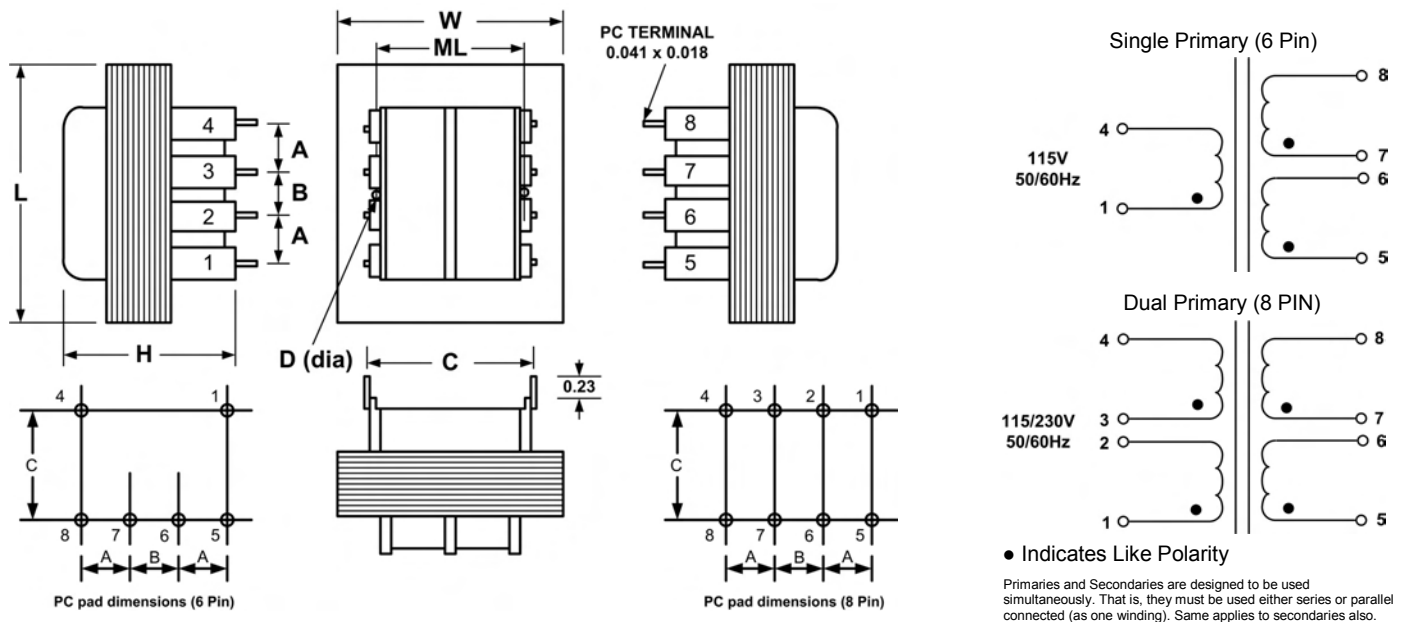
Series: PSH & PDH - Printed Circuit Mount, Horizontal 6 & 8 Pins

- Power Rating 1.1VA to 36VA
- Single or Dual Primary, 115V or 115/230V
- Frequency 50/60HZ
- Series or Parallel Secondary
- Dielectric Strength – 2500 Vrms
- Insulation Class B (130°C)
- Low Capacitive Coupling, no Electrostatic Shield Needed



Agency Approvals:

- UL/cUL 5085-2 Recognized (File E47299)
- Insulation File No. E95662



| VA Rating | Dimensions (Inches) | | | | | | | | Weight Lbs |
|-----------|---------------------|------|------|------|-------|-------|------|---------|------------|
| | L | W | H | ML | A | B | C | D (dia) | |
| 1.1 | 1.38 | 1.13 | 0.93 | - | 0.250 | 0.250 | 1.22 | - | 0.17 |
| 2.4 | 1.38 | 1.13 | 1.17 | - | 0.250 | 0.250 | 1.22 | - | 0.25 |
| 6 | 1.63 | 1.31 | 1.29 | 1.06 | 0.250 | 0.350 | 1.28 | 0.125 | 0.44 |
| 12 | 1.88 | 1.56 | 1.41 | 1.25 | 0.300 | 0.400 | 1.40 | 0.150 | 0.70 |
| 20 | 2.25 | 1.88 | 1.41 | 1.66 | 0.300 | 0.400 | 1.59 | 0.218* | 0.80 |
| 36 | 2.63 | 2.19 | 1.56 | 1.94 | 0.400 | 0.400 | 1.84 | 0.218* | 1.10 |

* = Slots

Any application, Any requirement, Contact us for our Custom Designs

Split Bobbin Power Transformer

Series: PSH & PDH - Printed Circuit Mount, Horizontal 6 & 8 Pins

Partial Selection Guide

| VA | Part Number | | Secondary | |
|-----|-------------|------------|-----------------|--------------|
| | 115V | 115/230V | Series | Parallel |
| 1.1 | PSH-11-10 | PDH-11-10 | 10VCT @ 110mA | 5V @ 220mA |
| | PSH-11-126 | PDH-11-126 | 12.6VCT @ 90mA | 6.3V @ 180mA |
| | PSH-11-16 | PDH-11-16 | 16VCT @ 70mA | 8V @ 140mA |
| | PSH-11-20 | PDH-11-20 | 20VCT @ 55mA | 10V @ 110mA |
| | PSH-11-24 | PDH-11-24 | 24VCT @ 45mA | 12V @ 90mA |
| | PSH-11-28 | PDH-11-28 | 28VCT @ 40mA | 14V @ 80mA |
| | PSH-11-36 | PDH-11-36 | 36VCT @ 30mA | 18V @ 60mA |
| | PSH-11-48 | PDH-11-48 | 48VCT @ 23mA | 24V @ 46mA |
| | PSH-11-56 | PDH-11-56 | 56VCT @ 20mA | 28V @ 40mA |
| | PSH-11-120 | PDH-11-120 | 120VCT @ 9mA | 60V @ 18mA |
| 2.4 | PSH-24-10 | PDH-24-10 | 10VCT @ 240mA | 5V @ 480mA |
| | PSH-24-126 | PDH-24-126 | 12.6VCT @ 190mA | 6.3V @ 380mA |
| | PSH-24-16 | PDH-24-16 | 16VCT @ 150mA | 8V @ 300mA |
| | PSH-24-20 | PDH-24-20 | 20VCT @ 120mA | 10V @ 240mA |
| | PSH-24-24 | PDH-24-24 | 24VCT @ 100mA | 12V @ 200mA |
| | PSH-24-28 | PDH-24-28 | 28VCT @ 85mA | 14V @ 170mA |
| | PSH-24-36 | PDH-24-36 | 36VCT @ 66mA | 18V @ 132mA |
| | PSH-24-48 | PDH-24-48 | 48VCT @ 50mA | 24V @ 100mA |
| | PSH-24-56 | PDH-24-56 | 56VCT @ 43mA | 28V @ 86mA |
| | PSH-24-120 | PDH-24-120 | 120VCT @ 20mA | 60V @ 40mA |
| 6 | PSH-06-10 | PDH-06-10 | 10VCT @ 600mA | 5V @ 1.2A |
| | PSH-06-126 | PDH-06-126 | 12.6VCT @ 480mA | 6.3V @ 960mA |
| | PSH-06-16 | PDH-06-16 | 16VCT @ 380mA | 8V @ 760mA |
| | PSH-06-20 | PDH-06-20 | 20VCT @ 300mA | 10V @ 600mA |
| | PSH-06-24 | PDH-06-24 | 24VCT @ 250mA | 12V @ 500mA |
| | PSH-06-28 | PDH-06-28 | 28VCT @ 210mA | 14V @ 420mA |
| | PSH-06-36 | PDH-06-36 | 36VCT @ 167mA | 18V @ 333mA |
| | PSH-06-48 | PDH-06-48 | 48VCT @ 125mA | 24V @ 250mA |
| | PSH-06-56 | PDH-06-56 | 56VCT @ 107mA | 28V @ 214mA |
| | PSH-06-120 | PDH-06-120 | 120VCT @ 50mA | 60V @ 100mA |
| 12 | PSH-12-10 | PDH-12-10 | 10VCT @ 1.2A | 5V @ 2.4A |
| | PSH-12-126 | PDH-12-126 | 12.6VCT @ 950mA | 6.3V @ 1.90A |
| | PSH-12-16 | PDH-12-16 | 16VCT @ 750mA | 8V @ 1.5A |
| | PSH-12-20 | PDH-12-20 | 20VCT @ 600mA | 10V @ 1.2A |
| | PSH-12-24 | PDH-12-24 | 24VCT @ 500mA | 12V @ 1.0A |
| | PSH-12-28 | PDH-12-28 | 28VCT @ 420A | 14V @ 840A |
| | PSH-12-36 | PDH-12-36 | 36VCT @ 330mA | 18V @ 660mA |
| | PSH-12-48 | PDH-12-48 | 48VCT @ 250mA | 24V @ 500mA |
| | PSH-12-56 | PDH-12-56 | 56VCT @ 214mA | 28V @ 428mA |
| | PSH-12-120 | PDH-12-120 | 120VCT @ 100mA | 60V @ 200mA |
| 20 | PSH-20-10 | PDH-20-10 | 10VCT @ 2.0A | 5V @ 4.0A |
| | PSH-20-126 | PDH-20-126 | 12.6VCT @ 1.59A | 6.3V @ 3.17A |
| | PSH-20-16 | PDH-20-16 | 16VCT @ 1.25A | 8V @ 2.50A |
| | PSH-20-20 | PDH-20-20 | 20VCT @ 1.0A | 10V @ 2.0A |
| | PSH-20-24 | PDH-20-24 | 24VCT @ 833mA | 12V @ 1.67A |
| | PSH-20-28 | PDH-20-28 | 28VCT @ 714mA | 14V @ 1.43A |
| | PSH-20-36 | PDH-20-36 | 36VCT @ 550mA | 18V @ 1.11A |
| | PSH-20-48 | PDH-20-48 | 48VCT @ 416mA | 24V @ 833mA |
| | PSH-20-56 | PDH-20-56 | 56VCT @ 357mA | 28V @ 714mA |
| | PSH-20-120 | PDH-20-120 | 120VCT @ 166mA | 60V @ 332mA |
| 36 | PSH-36-10 | PDH-36-10 | 10VCT @ 3.6A | 5V @ 7.2A |
| | PSH-36-126 | PDH-36-126 | 12.6VCT @ 2.85A | 6.3V @ 5.7A |
| | PSH-36-16 | PDH-36-16 | 16VCT @ 2.25A | 8V @ 4.5A |
| | PSH-36-20 | PDH-36-20 | 20VCT @ 1.8A | 10V @ 3.6A |
| | PSH-36-24 | PDH-36-24 | 24VCT @ 1.5A | 12V @ 3.0A |
| | PSH-36-28 | PDH-36-28 | 28VCT @ 1.28A | 14V @ 2.57A |
| | PSH-36-36 | PDH-36-36 | 36VCT @ 1.0A | 18V @ 2.0A |
| | PSH-36-48 | PDH-36-48 | 48VCT @ 750mA | 24V @ 1.5A |
| | PSH-36-56 | PDH-36-56 | 56VCT @ 642mA | 28V @ 1.28A |
| | PSH-36-120 | PDH-36-120 | 120VCT @ 300mA | 60V @ 600mA |

Any application, Any requirement, Contact us for our Custom Designs