

**PLEASE CHECK WWW.MOLEX.COM FOR LATEST PART INFORMATION**

**Part Number:** [0365090025](#)  
**Status:** **Active**  
**Overview:** [din\\_41612](#)  
**Description:** 2.54mm (.100") Pitch DIN 41612 Receptacle, Right Angle, Through Hole, with 64 Contacts Loaded, 1.27µm (50µ") Gold (Au) Selective, Lead-Free

**Documents:**

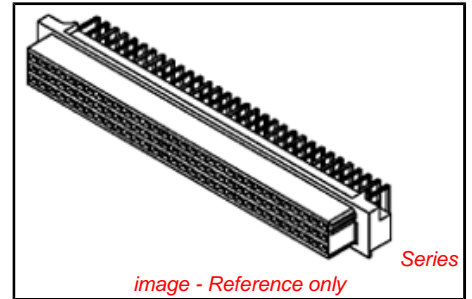
[3D Model](#) [Product Specification PS-36509-001 \(PDF\)](#)  
[Drawing \(PDF\)](#) [RoHS Certificate of Compliance \(PDF\)](#)

**General**

Product Family	Backplane Connectors
Series	<a href="#">36509</a>
Application	Backplane
Comments	"R" at style represents Right Angle Female DIN Connector
Component Type	PCB Receptacle
Overview	<a href="#">din_41612</a>
Product Name	IEC 603-2/DIN 41612
Style	R

**Physical**

Circuits (Loaded)	64
Circuits (maximum)	96
Circuits Detail	64
Color - Resin	Gray
Durability (mating cycles max)	500
First Mate / Last Break	No
Guide to Mating Part	No
Keying to Mating Part	Yes
Material - Metal	Phosphor Bronze
Material - Plating Mating	Gold
Material - Plating Termination	Tin
Material - Resin	Polyester
Number of Columns	32
Number of Pairs	Open Pin Field
Number of Rows	3
Orientation	Right Angle
PC Tail Length (in)	0.118 In
PC Tail Length (mm)	3.00 mm
PCB Locator	No
PCB Retention	Yes
PCB Thickness Recommended (in)	0.063 In, 0.125 In
PCB Thickness Recommended (mm)	1.60 mm, 3.20 mm
Packaging Type	Tray
Pitch - Mating Interface (in)	0.100 In
Pitch - Mating Interface (mm)	2.54 mm
Pitch - Term. Interface (in)	0.100 In
Pitch - Term. Interface (mm)	2.54 mm
Plating min: Mating (µin)	50
Plating min: Mating (µm)	1.25
Plating min: Termination (µin)	100
Plating min: Termination (µm)	2.5
Polarized to PCB	No
Stackable	No
Surface Mount Compatible (SMC)	No



**EU RoHS**  
**ELV and RoHS**  
**Compliant**  
**REACH SVHC**  
 Not Reviewed  
**Halogen-Free**  
**Status**  
**Not Reviewed**

**China RoHS**



**Need more information on product environmental compliance?**

Email [productcompliance@molex.com](mailto:productcompliance@molex.com)  
 For a multiple part number RoHS Certificate of Compliance, [click here](#)

Please visit the [Contact Us](#) section for any non-product compliance questions.

**Search Parts in this Series**  
[36509Series](#)

**Mates With**  
[36502](#) Right Angle Header. [36511](#) Vertical Header

Temperature Range - Operating -55°C to +125°C  
Termination Interface: Style Through Hole

**Electrical**

Current - Maximum per Contact 2.5A  
Data Rate 622.0 Mbps  
Real Signals (per 25mm) 29  
Shield Type N/A  
Shielded No  
Voltage - Maximum 250V AC (RMS)

**Solder Process Data**

Lead-free Process Capability Wave Capable (TH only)

**Material Info**

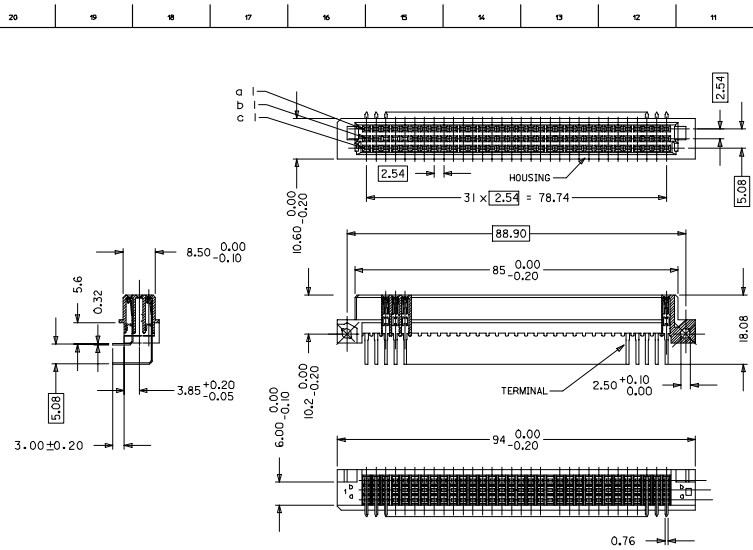
Old Part Number MMB2400R963

**Reference - Drawing Numbers**

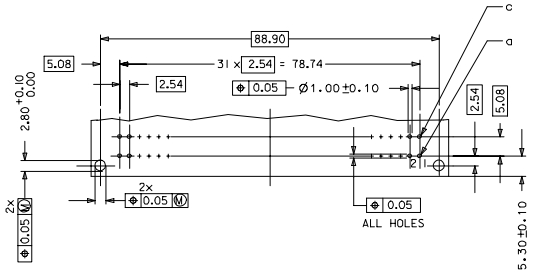
Product Specification PS-36509-001  
Sales Drawing SD-36509-002

This document was generated on 05/13/2010

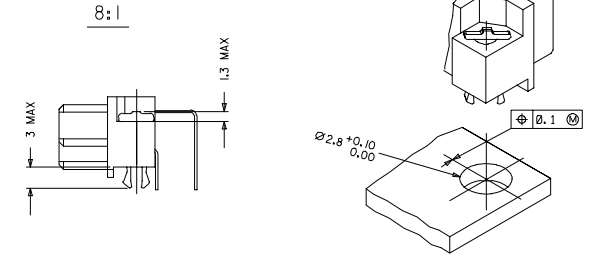
**PLEASE CHECK [WWW.MOLEX.COM](http://WWW.MOLEX.COM) FOR LATEST PART INFORMATION**



RECOMMENDED PCB LAYOUT  
COMPONENT SIDE



WITH MOUNTING CLIPS

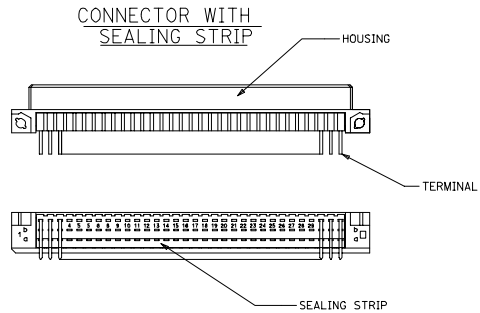


- NOTES:
- 1) MATERIALS: THERMOPLASTIC POLYESTER, GLASS FILLED, UL94V-0, COLOUR: PEBBLE GREY RAL 7032  
TERMINAL - PHOSPHOR BRONZE  
MOUNTING CLIP: STEEL
  - 2) FINISH: TERMINAL:-  
CONTACT AREA  
 1. PERFORMANCE LEVEL 1; SELECTIVE GOLD (Au), THICKNESS = 1.1 MICROMETER  
OVER NICKEL, THICKNESS = 1.25 MICROMETER  
 2. PERFORMANCE LEVEL 2; SELECTIVE GOLD (Au), THICKNESS = 0.6 MICROMETER  
OVER NICKEL, THICKNESS = 1.25 MICROMETER  
 3. PERFORMANCE LEVEL 3; SELECTIVE GOLD (Au), THICKNESS = 0.3 MICROMETER  
OVER NICKEL, THICKNESS = 1.25 MICROMETER  
 TERMINATION AREA: SELECTIVE TIN, THICKNESS = 2.5 MICROMETER  
OVER NICKEL, THICKNESS = 1.25 MICROMETER OVERALL  
 3) MOUNTING CLIP:-  
TIN (Sn), THICKNESS = 5-10 MICROMETER,  
OVER NICKEL (Ni), THICKNESS = 2.5 MICROMETER
  - 4) FOR NON MOUNTING CLIP OPTION, CONNECTOR TO BE SECURED WITH  
RIVETS: 2 TUBULAR RIVETS 2.5 x 0.3 ... DIN 7340  
SCREWS: CHEESEHEAD SCREWS M2.5 x ... DIN 84 AND 2 HEXAGONAL NUTS M 2.5 DIN 934
  - 5) MATERIAL No, BATCH CODE, UL AND CSA MARKING TO BE PRINTED ON CONNECTOR
  - 6) CUT FACE OF TIP WITHOUT PLATING PERMITTED
  - 7) PRODUCT SPECIFICATION : PS-36509-001

RoHS COMPLIANT

QUALITY SYMBOLS	GENERAL TOLERANCES (UNLESS SPECIFIED)	DIMENSION STYLE		SCALE	DESIGN UNITS	THIRD ANGLE PROJECTION
		MM ONLY	INCH			
▽=0	mm	mm	INCH	2:1	METRIC	
▽=0	2 PLACES ± 0.05	± 0.05	± 0.0015			
	3 PLACES ± 0.05	± 0.05	± 0.0015			
	2 PLACES ± 0.1	± 0.1	± 0.004			
	1 PLACE ± 0.15	± 0.15	± 0.006			
	ANGULAR ± 2°					
DRAFT WHERE APPLICABLE MUST REMAIN WITHIN DIMENSIONS		SEE CHART		MATERIAL NO. DOCUMENT NO.		
				SD-36509-002		
				MATERIAL NO. DOCUMENT NO.		
				SD-36509-002		
				MATERIAL NO. DOCUMENT NO.		
				SD-36509-002		

MATERIAL No	MOLEX ENG No	PERF LEVEL	PLATING	CONTACT SEQUENCE/ROW	MOUNTING CLIP	SEALING STRIP
36509-0025	MM-B2400-R963	1	Au+Ni	1,2,3...32 a+c	NO	NO
36509-0026	MM-B2500-R963	2	Au+Ni	1,2,3...32 a+c	NO	NO
36509-0027	MM-B2600-R963	3	Au+Ni	1,2,3...32 a+c	NO	NO
36509-0031	MM-B2400-R913	1	Au+Ni	1,2,3...32 a+c	YES	NO
36509-0032	MM-B2500-R913	2	Au+Ni	1,2,3...32 a+c	YES	NO
36509-0033	MM-B2600-R913	3	Au+Ni	1,2,3...32 a+c	YES	NO
36509-0037	MM-B2400-R963-101	1	Au+Ni	1,2,3...32 a+c	NO	YES
36509-0038	MM-B2500-R963-101	2	Au+Ni	1,2,3...32 a+c	NO	YES
36509-0039	MM-B2600-R963-101	3	Au+Ni	1,2,3...32 a+c	NO	YES
36509-0043	MM-B2400-R913-101	1	Au+Ni	1,2,3...32 a+c	YES	YES
36509-0044	MM-B2500-R913-101	2	Au+Ni	1,2,3...32 a+c	YES	YES
36509-0045	MM-B2600-R913-101	3	Au+Ni	1,2,3...32 a+c	YES	YES



RoHS COMPLIANT

QUALITY SYMBOLS	GENERAL TOLERANCES (UNLESS SPECIFIED)		DIMENSION STYLE	SCALE	DESIGN UNITS	THIRD ANGLE PROJECTION
	mm	INCH	MM ONLY	2:1	METRIC	
▽=0	4 PLACES ±0.05	±---	SS	DATE	1999/09/24	ASSEMBLY, DIN41612 R FEMALE, 64 POS A+C LOADED
▽=0	3 PLACES ±0.05	±---	SS	CHECKED BY	DATE	
	2 PLACES ±0.1	±---	SS	J.LOWE	1999/09/24	MOLEX INCORPORATED
	1 PLACE ±0.15	±---	SS	APPROVED BY	DATE	
	ANGULAR ± 2°			J.LOWE	1999/09/24	
	DRAFT WHERE APPLICABLE MUST REMAIN WITHIN DIMENSIONS			SEE CHART	SD-36509-002	SHEET NO. 2 OF 2
	THIS DRAWING CONTAINS INFORMATION THAT IS PROPRIETARY TO MOLEX INCORPORATED AND SHOULD NOT BE USED WITHOUT WRITTEN PERMISSION					