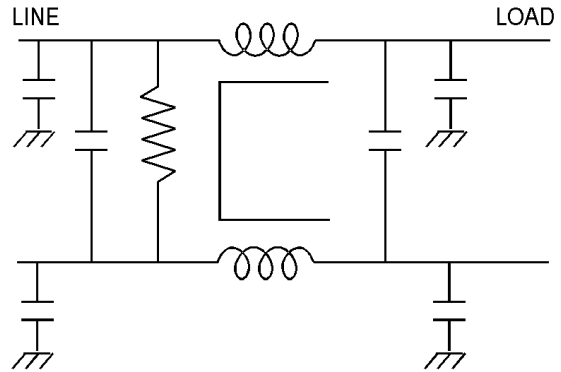
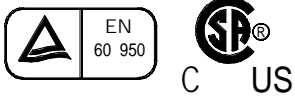




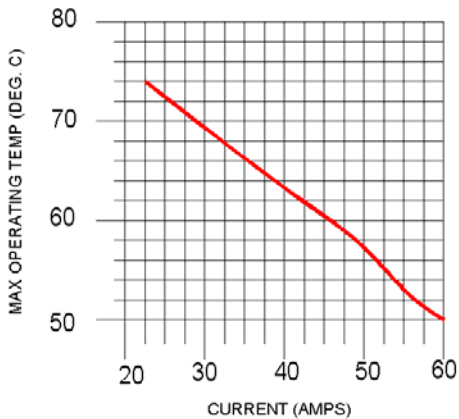
MM-0637A-40D

Operating Voltage = 48 Vdc (Typical)
 Operating Voltage Max. = 0—75Vdc
 Operating Current = 40 Amp
 Operating Temp Range = -40 to 50 C (see chart)
 Storage temperature = -55—100 C
 Dielectric Withstanding Voltage
 Line to Line: 707 Vdc for 1 minute
 Line to Case: 2250 Vdc for 1.0 min

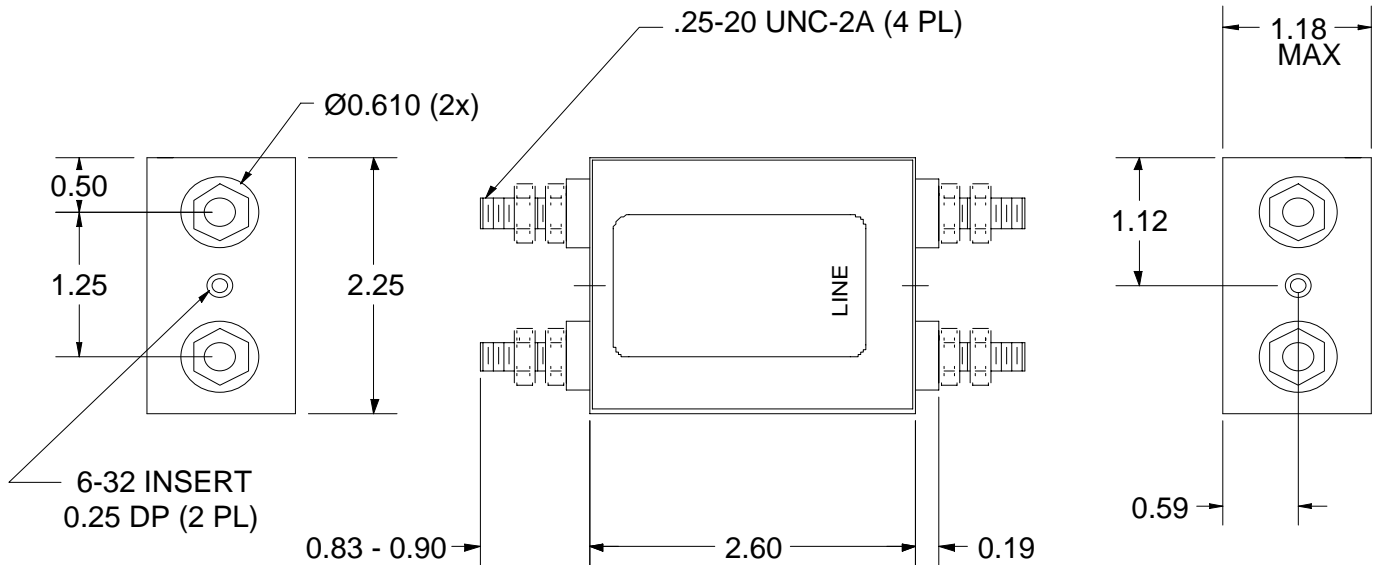
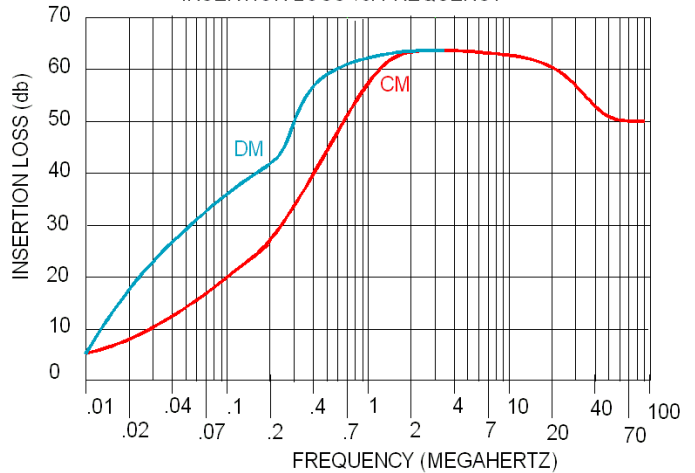
Safety Agency Approvals



OPERATING TEMPERATURE VS. LOAD CURRENT



INSERTION LOSS vs. FREQUENCY



USA JMK Inc 15 Caldwell Dr. Amherst, NH 03031 PH: 603 886-4100 FX: 603 886-4115 email: info@jmkfilters.com
 EUR JMK Inc Glasgow G13 1DN Scotland UK PH: 44-(0) 7785310729 FX: 44-(0) 141-589-1884