



MM-0637A-40B, -50B, -60B

Operating Voltage = 48 Vdc
 Operating Current = 40,50,60 Amperes
 Operating Temperature Range = -40 to 50 C
 Dielectric Withstanding Voltage

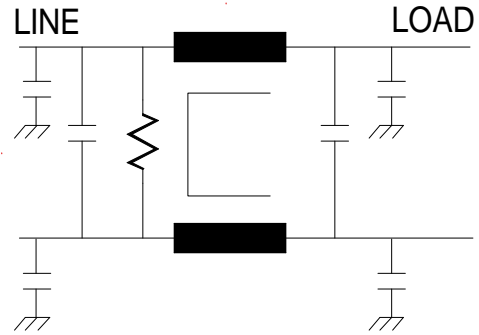
Line to Line: 707 Vdc for 1 minute
 Line to Case: 2250 Vdc for 1.0 min

40 Amps Order P/N: MM-0637A-40B
 50 Amps " MM-0637A-50B
 60 Amps " MM-0637A-60B

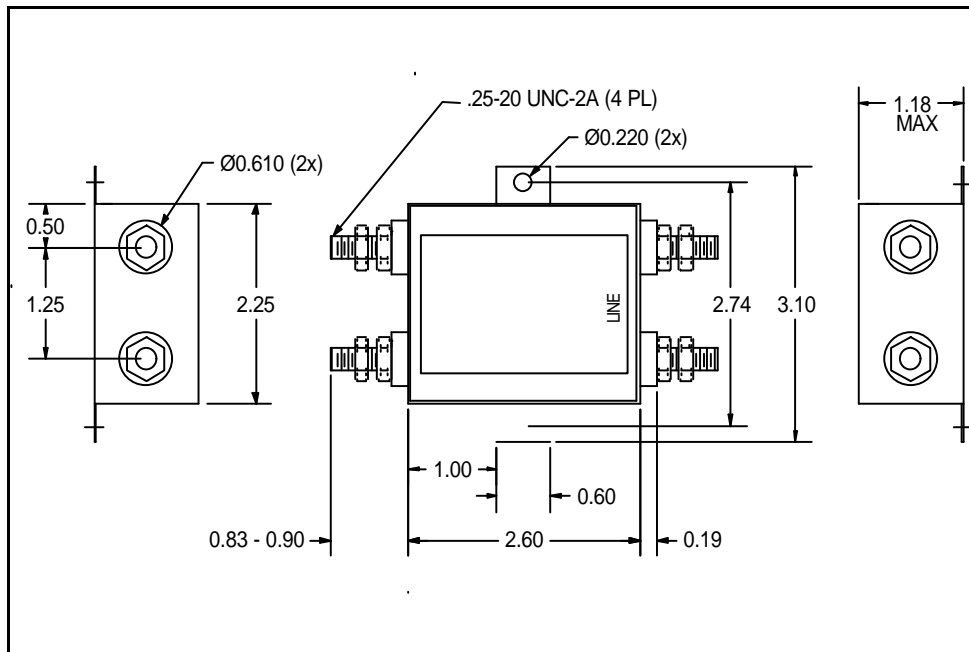
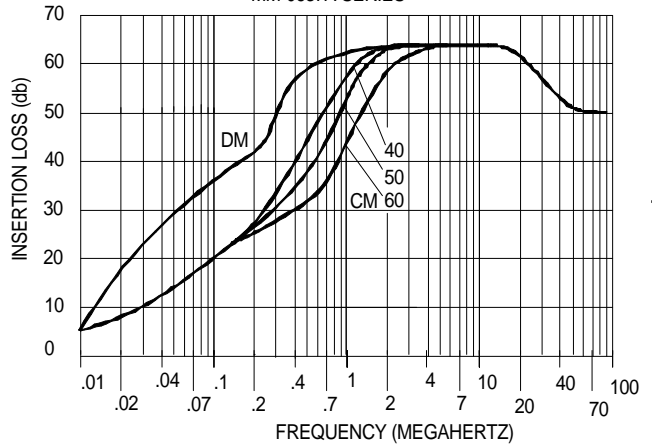
Safety Agency Approvals



This filter features a very small mechanical package. Even with this small size the common mode insertion loss and differential loss are very good. This filter has additionally been designed to operate with severe unbalanced current loading. It can withstand up to a 30% unbalance in line and return without degrading the common mode insertion loss. This capability is very useful when the filter is used in dual systems with shared returns. This filter package is ruggedly designed to operate in automotive as well as telecommunication environments



INSERTION LOSS vs. FREQUENCY
 MM-0637A SERIES



USA JMK Inc 15 Caldwell Dr. Amherst, NH 03031 PH: 603 886-4100 FX: 603 886-4115
 email: info@jmkfilters.com
 EUR JMK Inc Glasgow G13 1DN Scotland UK PH: 44-(0) 7785310729 FX: 44-(0) 141 589 1884