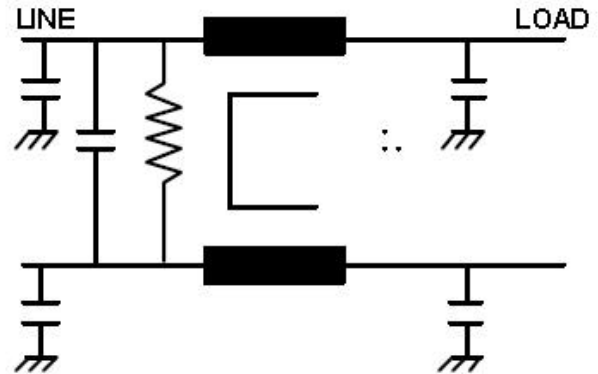


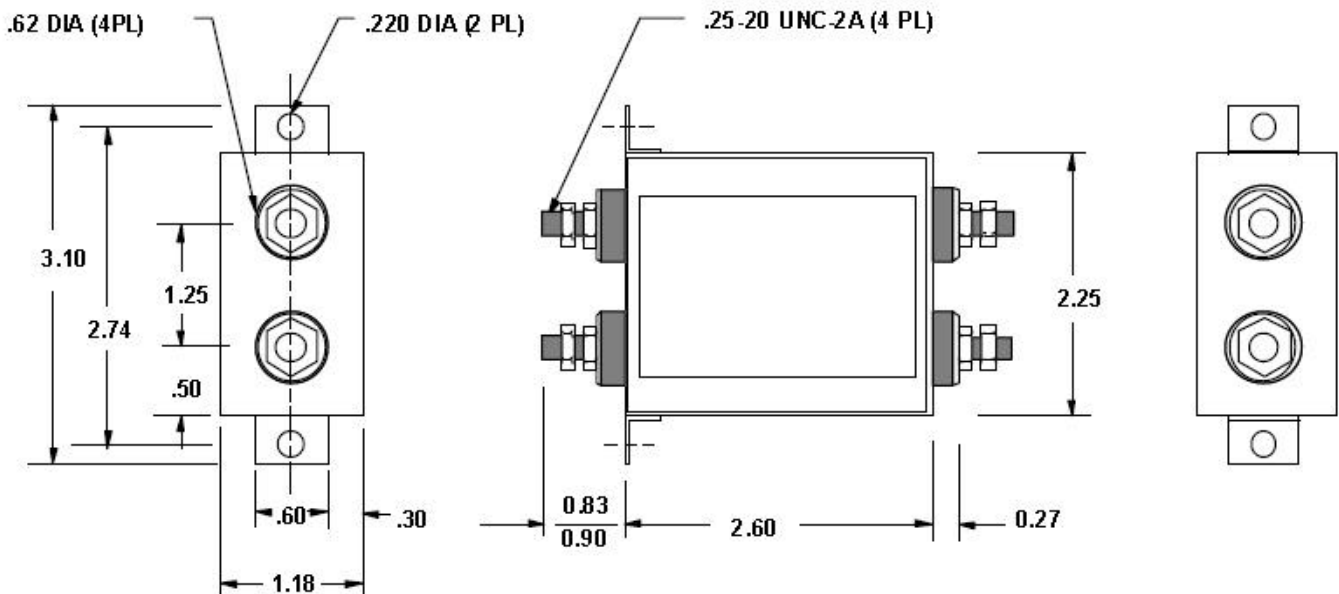
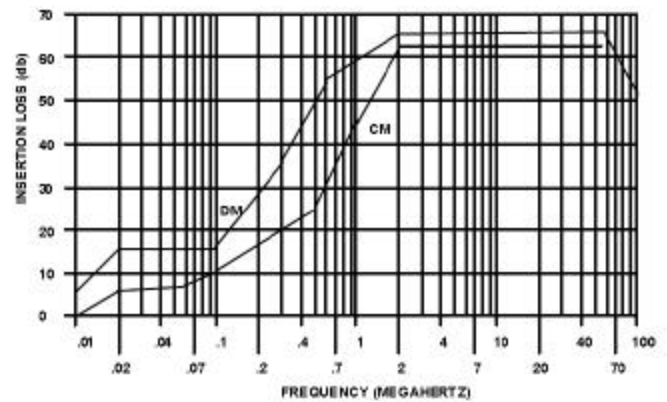


637A SERIES

The 637A series filter is a very compact DC filter intended for use with telecommunication hardware. This filter features a very small mechanical package. Even with this small size the common mode insertion loss and differential loss is very good. This filter package can withstand severe vibration and shock environments. This filter has been designed to operate with severe unbalanced current loading. Therefore the filter will work as well if one side is grounded such as in automotive applications, as with balanced loads.



Operating Voltage = 48 Vdc
 Operating Current = 35, 50 Amperes
 Operating Temperature Range = -40 to 50 C
 Dielectric Withstanding Voltage
 Line to Line: 707 Vdc for 1 minute
 Line to Case: 2250 Vdc for 1.0 min
 Order P/N: 30 amperes -- KK-0637A-30
 35 amperes -- MM-0637A-35
 50 amperes -- MM-0637A-50



USA JMK Inc 15 Caldwell Dr. Amherst, NH 03031 PH: 603 886-4100 FX: 603 886-4115
 email: info@jmkfilters.com
 EUR JMK Inc Glasgow G13 1DN Scotland UK PH: 44-(0) 7785310729 Fax: 44-(0) 141 589 1884