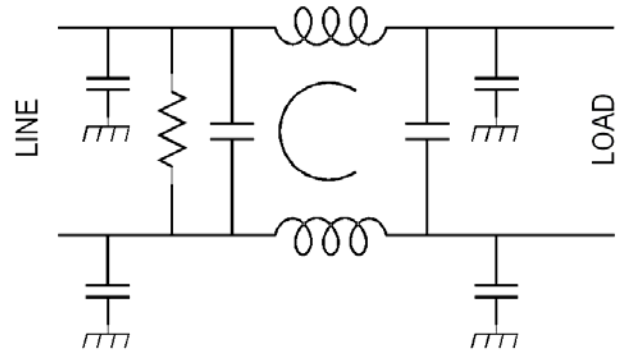


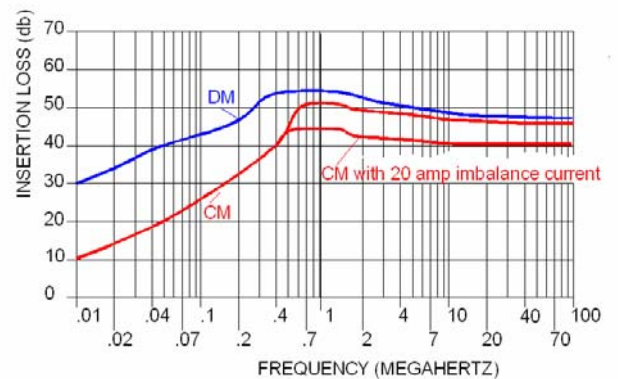


MM-0637A-100

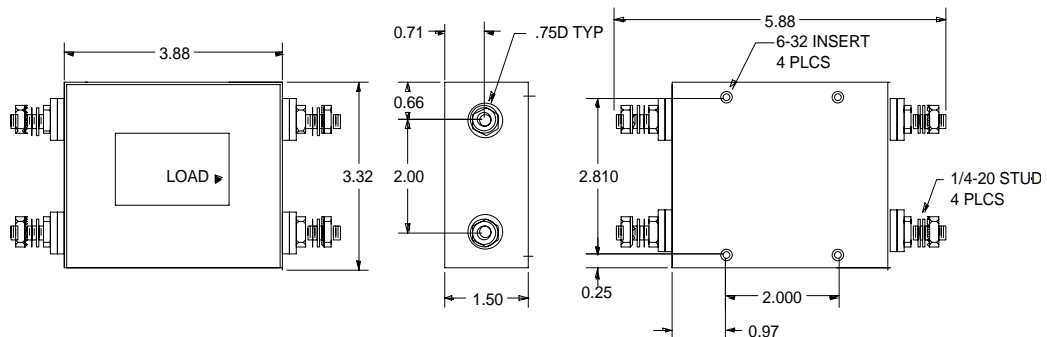
Operating Voltage = 48 Vdc
 Operating Current (Max) = 100 Amp
 Temperature Range(Storage) = -55 TO 85 C
 Temperature Range(Operating) = -20 TO 50 C
 Diel. Withstand Voltage (Term - Case) = 1500 Vdc
 Diel. Withstand Voltage (+ to -) = 707 Vdc



This filter is the 100 amp version of our 637A series. The enclosure is compact and can be placed in very tight locations. The filter is designed to operate in high current applications of 48 Vdc telecommunication systems. This filter, like the other 637a filters can be operated with a significant imbalance current between the power in line and the return. Our standard construction is more than adequate for most installation environments. Should your application require operation in a more severe environment, JMK's engineering staff can easily modify the mechanical construction to meet the most severe design criteria.



Order p/n: MM-0637A-100



USA JMK Inc 15 Caldwell Dr. Amherst, NH 03031 PH: 603 886-4100 FX: 603 886-4115
 email: info@jmkfilters.com
 EUR JMK Ltd Glasgow G13 1DN Scotland UK PH: 44-(0) 7785310729 FX: 44-(0) 141-589-1884