

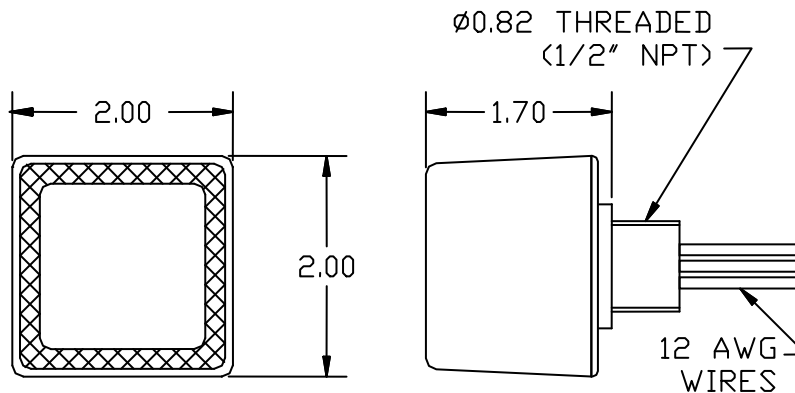
---

**SECONDARY SURGE "LIGHTNING" ARRESTER**  
**277/480-VAC • 3Ø, 4W**

## FEATURES

- Industrial/Commercial Version
- MOV Circuit Design
- Made in America utilizing American Components
- Cost Effective
- Reliable Solid-State Protection
- Maintenance Free
- Molded Plastic Case
- Threaded 1/2" NPT conduit nipple with locknut
- 18" Stranded 12 AWG color coded leads
- Suitable for indoor or outdoor installation
- Automatic Recovery, Self Restoring
- UL Listed (File #E121169)

## DIMENSIONS



Dimensions in inches and (millimeters)

## DESCRIPTION

The HE4803 is a MOV (Metal Oxide Varistor) based hardwired Secondary Surge Arrester, often referred to as a Lightning Arrester. The device is designed to protect electrical equipment from damaging effects of Spikes (+) and Notches (-) caused by lightning, utility switching, insulation arcing, electrical motor cycling, and other large or sudden changes in electrical power flow on incoming AC power lines.

The HE4803 is a three phase, four wire surge arrester intended to protect 277/480 VAC systems. The epoxy encapsulated arrester is designed to be easily installed in any position indoors or outdoors utilizing the integral 1/2" NPT threaded nipple, and supplied metal lock nut.

The housing is molded from flame retardant plastic that is both weather and UV resistant, and complies with the UL standard for strength and flame resistance properties. The arrester is sealed with UL component recognized epoxy potting compound. The HE4803 has four 18" long, 12 AWG multi-stranded leads that are color coded for ease of installation.

The HVPSI HE4803 is ideal protection for outdoor lighting and pole lamps, panel boards, oilfield pumps, workshops, irrigation and sump pumps, refrigeration systems, farm equipment including milking machines and poultry processing equipment, electric motors and controls, heat pumps and air conditioning equipment and many other electrical devices.

The HE4803 utilizes a single MOV per pole to reduce the potential load balancing/sharing problems during operation.

Other UL listed versions:

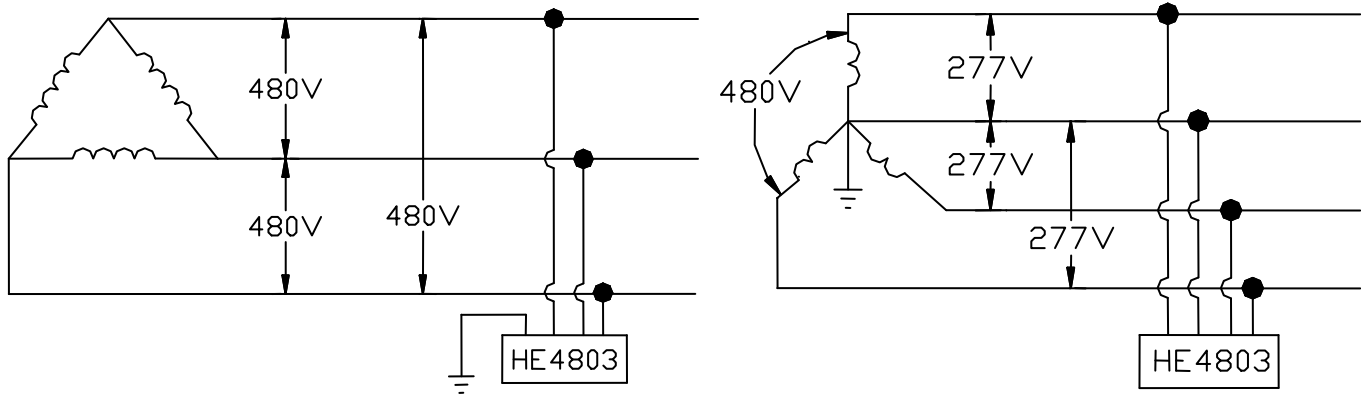
HE500	120/240V, Single Phase, Three Wire, Industrial/Commercial Version
HE510	120/240V, Single Phase, Three Wire, Residential Version
HE1203	120/208V, Three Phase, Four Wire, Industrial/Commercial Version

Rev 4, August 2007

# HE4803

## SECONDARY SURGE "LIGHTNING" ARRESTER 277/480-VAC • 3Ø, 4W

### HOOKUP DIAGRAM



### ELECTRICAL CHARACTERISTICS

PART NUMBER	SERVICE VOLTAGE AC	PHASE	WIRE CONFIGURATION	TYPICAL CLAMP VOLTAGE 8 X 20uS Current Wave (Line to Ground)				
				1.5kA	5kA	10kA	20kA	25kA
HE4803	277/480V 550V Max (rms)	THREE	Line 1 (Black) Line 2 (Black) Line 3 (Black) Neutral/Ground (White)	1450V <sup>(1)</sup> 1550V <sup>(2)</sup>	1650V <sup>(1)</sup> 2000V <sup>(2)</sup>	1850V <sup>(1)</sup> 2450V <sup>(2)</sup>	2200V <sup>(1)</sup> 3400V <sup>(2)</sup>	2400V <sup>(1)</sup> 3950V <sup>(2)</sup>

(1) 1" leads (2) 18" leads

### ARCHITECT and ENGINEERS SUGGESTED SPECIFICATIONS

The three phases, four wire Secondary Surge Arrester for 277/480 volt AC service or machine equipment shall be a High Voltage Power Systems Model HE4803. The lightning arrester shall be of a single MOV per pole design and provide protection for Category C Transient Surges as defined in ANSI C62.41 (Formerly IEEE Std. 587-1980) without degradation of the components. The surge protector shall protect between each line and neutral/ground conductor. The lightning arrester shall be UL listed as a Secondary Surge Arrester UL category OWHX. The enclosure shall be molded of fire retardant plastic. The unit will be sealed with a UL component recognized epoxy potting compound to minimize moisture and pollution intrusion. A one-half inch conduit nipple and metal lock nut shall be provided. 18 inches, stranded 12 gauge color coded leads shall be provided. The arrester shall carry a one year warrantee.

HIGH VOLTAGE POWER SOLUTIONS, INC. reserves the right to make changes in these specifications at any time and without notice in order to supply the best product possible.

© 2002 • HIGH VOLTAGE POWER SOLUTIONS, INC. • Printed in U.S.A.

### SPECIFICATIONS and STANDARDS

TECHNOLOGY: Metal Oxide Varistors (MOV) each line to neutral/ground.

PEAK SURGE CURRENT: (8x20uS) 25,000 Amps  
M C O V: 550 VAC rms (Line to Neutral).

ENCLOSURE: Black molded flame retardant plastic housing with 1/2" x 20 threaded nipple. The housing is weatherproof and UV resistant.

ENCAPSULATION: UL component recognized epoxy potting material.

WIRING: Four 12 gauge stranded color coded leads.  
Black for each line  
White for neutral/ground

OPERATION TEMPERATURE: -40° C to +85° C

RESPONSE TIME: <5ns

CURRENT DRAIN: <100µA

UNIT WEIGHT: 8.5 ounces

SHIPPING WEIGHT: per arrester 9.5 ounces  
per carton (12) 7.5 lbs.  
per case (48) 31 lbs.

ANSI: C62.11-1987

UL: OWHX Secondary Surge Arrester



**HIGH VOLTAGE**  
POWER SOLUTIONS, INC.

PO Box 700968 • Dallas TX 75370  
Ph (972) 248-7691 • Fax (972) 381-9998