

SANYO

No.2733

LA7270, 7270M

Monolithic Linear IC

VHS VTR Playback Head Amplifier
Recording Amplifier (Hi-Fi Audio Use)

Functions and Features

(Functions) · 2-channel playback head amp

- 1-channel recording amp
- PB : 1 head select switch
- REC : 2 head select switches

(Features) · Designed for 2 heads

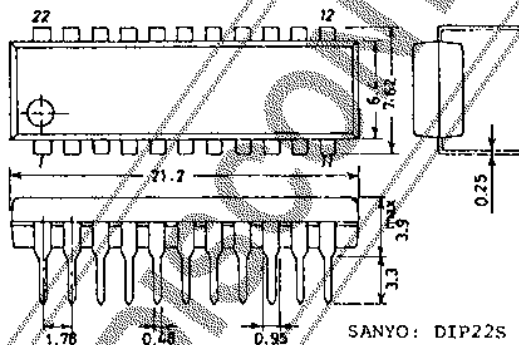
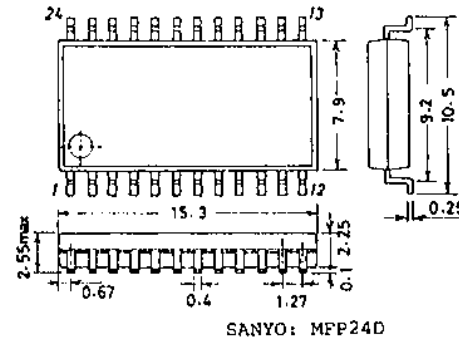
- On-chip driver transistor permitting direct recording (current type)
- On-chip head select switches (2 types) facilitating printed circuit pattern design of a set
- Load variations cause less recording current variations because of recording amp of constant-current type.

(Maximum recording current : 60mA_{p-p})**Maximum Ratings at Ta = 25°C**

			unit
Maximum Supply Voltage	V _{CC} max	(PB) 7.0	V
		(REC) 14.0	V
Allowable Power Dissipation	P _d max	(DIP) 840	mW
Operating Temperature	T _{opg}	-10 to +65	°C
Storage Temperature	T _{stg}	-40 to +150	°C

Operating Conditions at Ta = 25°C

			unit
Recommended Supply Voltage	V _{CC}	(PB) 5.0	V
		(REC) 12.0	V
Operating Voltage Range	V _{CC op}	(PB) 4.5 to 5.5	V
		(REC) 10 to 13	V

Case Outline 3059-D22SIC
(unit : mm) [LA7270]**Case Outline 3108-M24IC**
(unit : mm) [LA7270M]

The application circuit diagrams and circuit constants herein are included as an example and provide no guarantee for designing equipment to be mass-produced.

The information herein is believed to be accurate and reliable. However, no responsibility is assumed by SANYO for its use; nor for any infringements of patents or other rights of third parties which may result from its use.

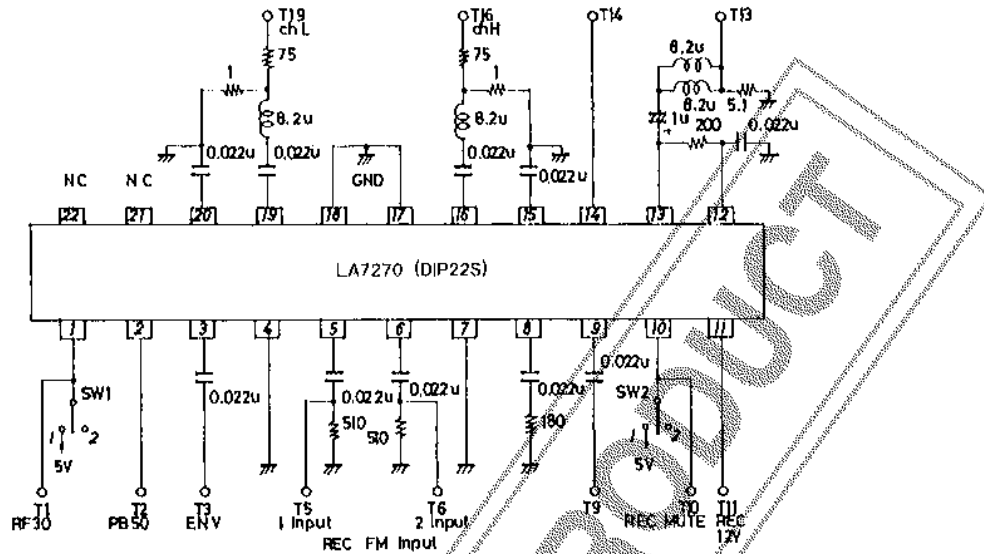
Specifications and information herein are subject to change without notice.

SANYO Electric Co., Ltd. Semiconductor Overseas Marketing Div.
Natsume Bldg., 18-6, 2-chome, Yushima, Bunkyo-ku, TOKYO 113 JAPAN

N248TA, TS No.2733-1/6

LA7270, 7270M

LA7270 Test Circuit



Operating Characteristics at T_a = 25°C

Characteristic	Symbol	Test Conditions		min	typ	max	unit
		Input	Output				
(PB Mode)		T2					
Current Dissipation	I _{ccp}	T2					
Voltage Gain	CH1 G _{VP} (1)	T19	T3				
	CH2 G _{VP} (2)	T16	T3				
Voltage Gain Difference	ΔG _{VP}						
Equivalent Input Noise Voltage	CH1 V _{NI} (1)		T3				
	CH2 V _{NI} (2)		T3				
Frequency Characteristic	CH1 ΔV _{fp} (1)	T19	T3				
	CH2 ΔV _{fp} (2)	T16	T3				
2nd Harmonic Distortion	CH1 V _{hdp} (1)	T19	T3				
	CH2 V _{hdp} (2)	T6	T3				
Maximum Output Level	CH1 V _{OMP} (1)	T19	T3				
	CH2 V _{OMP} (2)	T16	T3				
Crosstalk	CH1 V _{CR} (1)	T16	T3				
	CH2 V _{CR} (2)	T16	T3				
Output DC Offset	ΔV _{OBc}		Pin 3				

Continued on next page.

Continued from preceding page.

Characteristic	Symbol	Test Conditions		min	typ	max	unit
		Input	Output				
(REC Mode)		T11		REC + 12V	RF	REC MUTE	
Current Dissipation	I_{ccR}	T11		Pin 11 flow-in current		2	54.0 64.0 mA
Voltage Gain	1 $G_{VR(1)}$	T5	T13	$V_i = 300mV_{pp}$ $f = 2MHz$		2	-8.0 6.0 -4.0 dB
	2 $G_{VR(2)}$	T6	T13	$V_i = 300mV_{pp}$ $f = 2MHz$		2	-8.0 6.0 -4.0 dB
Frequency Characteristic	1 $\Delta V_{IR(1)}$	T5	T13	$V_i = 300mV_{pp}$ $f = 1MHz, 2MHz$ 2M		2	-1.0 -0.5 1.0 dB
	2 $\Delta V_{IR(2)}$	T6	T13	1M output ratio		2	
2nd Harmonic Distortion	1 $V_{HDR(1)}$	T5	T13	$V_{out} = 50mApp$ $f = 2MHz$ 4M, 6M component		2	-40 -35 dB
	2 $V_{HDR(2)}$	T6	T13	2M component output ratio		2	
Maximum Output Level	1 $V_{OMP(1)}$	T5	T13	$f = 2MHz$ Output level when 2rd distortion is -40dB.		2	40 50 mApp
	2 $V_{OMP(2)}$	T6	T13			2	
Muting Attenuation	1 $V_{MR(1)}$	T5	T13	$V_i = 300mV_{pp}$ $f = 2MHz$ V_{out}		1	-50 -45 dB
	2 $V_{MR(2)}$	T6	T13	$G_{VR(1),(2)}$ output ratio		1	
Y/C MIX Amp Voltage Gain	1 $G(1)$	T5	T9	$V_i = 300mV_{pp}$ $f = 2MHz$			8.0 10.5 13.0 dB
	2 $G(2)$	T6	T9	$V_i = 300mV_{pp}$ $f = 2MHz$			
(Switch Tr) ON Resistance							
ON Resistance of SW turned ON at PB	$R_{P_{ON}(14)}$		Pin 14	PIF mode *1 Difference between DC voltage at 1mA flow-in and DC voltage at 2mA flow-in			6 10 Ω
ON Resistance of SW turned ON at REC	CH1 $R_{R_{ON}(19)}$		Pin 19	REC mode *1 Difference between DC voltage at 1mA flow-in and DC voltage at 2mA flow-in			7 10 Ω
	CH2 $R_{R_{ON}(16)}$		Pin 16				
Switch Tr Leakage Current							
Leakage Current of SW Tr turned ON at PB	$I_L(14)$		Pin 14	REC mode Flow-in current when $\pm 5V$ is applied			-2 0 2 μA

Continued on next page.

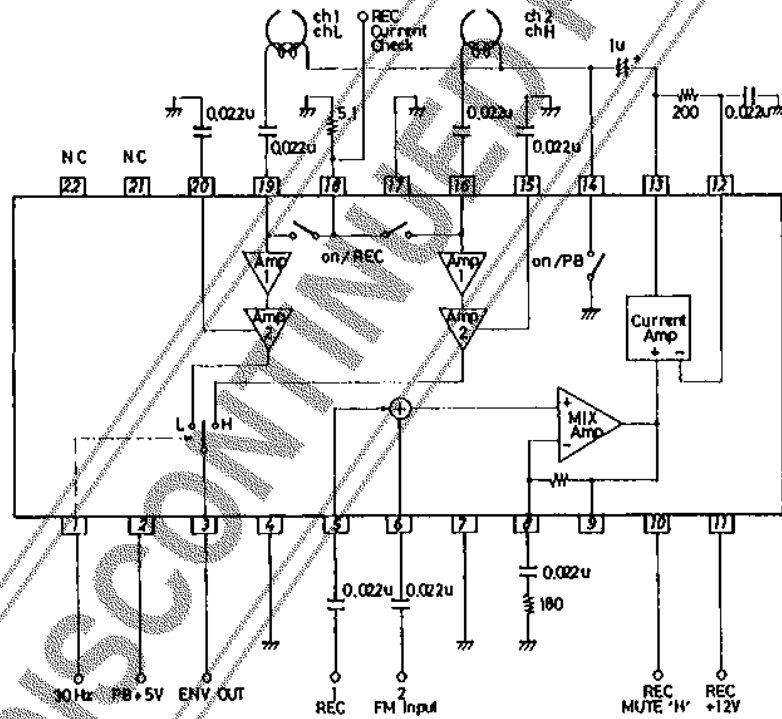
LA7270, 7270M

Continued from preceding page.

Characteristic	Symbol	Test Conditions		min	typ	max	unit
		Input	Output				
Control Pin (Threshold Level)							
RF Switch (Threshold Level)	SW RF(1)	T1	CH1→CH2 changeover voltage	*		2.6	V
	SW RF(2)		CH2→CH1 changeover voltage			0	
REC Muting Switch Threshold Level	SW MUTE(1)	T10	T10 voltage when T13 output waveform disappears	*		2.6	V
	SW MUTE(2)		T10 voltage when T13 output waveform appears			0	

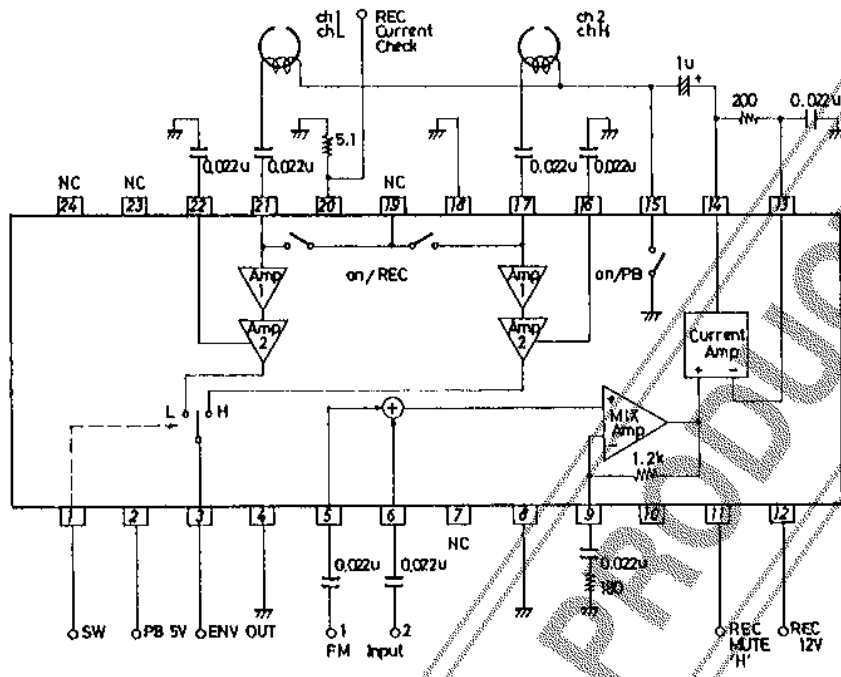
※1 Let the ON resistance to be obtained be x ,
 $2x$ (mV) at 2mA flow-in x (mV) at 1mA flow-in
 Therefore, difference $2x - x = x$ is the ON resistance.

LA7270 (DIP22S) Block Diagram



LA7270, 7270M

LA7270M (MFP24) Block Diagram



Pin Description

Pin No.	Function	Standard Potential	Input/Output Configuration	Remarks
1	RF 30Hz control pin			"L": CH1 at open state or 0.8V or less "H": CH2 at 2.5 to 5.0V
2	PB +5V	5.0 (V)		12mA typ.
3	Preamp output	2.3 (V)		Connect R = 2kΩ externally when the output line is routed around.
4	Preamp GND	0 (V)		
5	REC amp input	6.7 (V)		
6	REC amp GND	0 (V)		
7	REC amp GND	0 (V)		
8	REC Y/C MIX amp feedback pin	5.9 (V)		The gain of Y/C MIX amp depends on R1. (Example) R1 : 180Ω = 10.5dB
9	REC Y/C MIX amp output	5.9 (V)		

Continued on next page.

LA7270, 7270M

Continued from preceding page.

Pin No.	Function	Standard Potential	Input/Output Configuration	Remarks
10	REC muting control pin			"L": Muting OFF at open state or 0.8V or less "H": Muting ON at 2.5V to 5.0V
11	REC+12V	12.0 (V)		Typ.
12	REC current amp feedback pin	5.9 (V)		
13	REC current amp output pin	5.9 (V)		Max. REC current: 60mA p-p (2ch)
14	Pin for switch Tr turned ON at PB			ON resistance : 6 to 10kΩ
15 22	Preamp bypass capacitor	1.9 (V)		
16 19	Preamp input	0.65 (V)		$R_{in} \approx 400\Omega$ $C_{in} \approx 25$ to $35p$
17	Pre GND	0 (V)		
18				Switch Tr ON resistance : 7 to 10Ω
21 22	N.C			

DISCONTINUED PRODUCT