


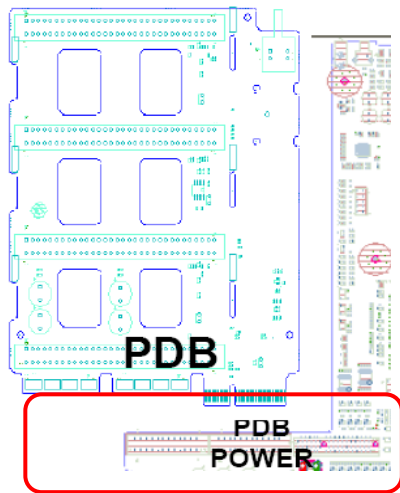


Energy Edge® is next generation power solution for power distribution. The power and signal contacts are incorporated into one single connector and is extensively applied in power distribution board or for board-to-board connection in server, storage, and also telecommunication equipments. Energy Edge® key features include:

- Compatible with UL Requirement
- Low profile design for saving valuable space
- Venting hole design for great thermal performance
- One-piece assembly is cost saving
- Capability for Expansion to 56 power pins and 24 signal pins.

Energy Edge	Part Number	Orientation	Tail	Tail Length	Mating Height	Power Pin	Signal Pin	Orientation Key	Alignment Key	Plating
	GPCE44362411HR	Straddle	SMT	N/A	N/A	36	24	Yes	Yes	Gold 30u"
	GPCE44162013HR					36	24	No	No	Gold 30u"
	GPCE44201213HR					16	20	No	Yes	Gold 30u"
	GPCE44562411HR					20	12	No	Yes	Gold 30u"
	GPCE34362411HR	Vertical	Press-fit	3.17mm	N/A	56	24	No	No	Gold 30u"
	GPCE34082011HR					36	24	No	N/A	Gold 30u"
	GPCE34481211HR					8	20	Yes	N/A	Gold 30u"
	GPCE34562411HR					48	12	Yes	N/A	Gold 30u"
	GPCE24362411HR		DIP	3.10mm		56	24	Yes	N/A	Gold 30u"
	GPCE24082011HR					36	24	No	N/A	Gold 30u"
	GPCE24481211HR					8	20	Yes	N/A	Gold 30u"
	GPCE135222113HR	R/A	DIP	2.35mm	3.88mm	48	12	Yes	N/A	Gold 30u"
	GPCE145222113HR			No				N/A	Gold 15u"	
	GPCE145222111HR			3.35mm	4.58mm	48	12	No	N/A	Gold 30u"
	GPCE145222112HR			3.25mm				3.88mm	48	12

* The tooling can be modified to different configuration with power and signal pin number.
 ** If there is any inquiry out of the list, please check with AMTA for the modification.



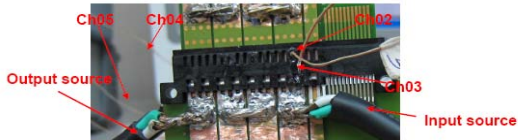
Mechanical Specifications

Mating Force	Single Power Pin 0.98N Max Single Signal Pin 0.22N Max
Unmating Force	Single Power Pin 0.36N min Single Signal Pin 0.06N min
Contact Retention force	Single Power Pin 32N min Single Signal Pin 19N min
Durability	200 cycles

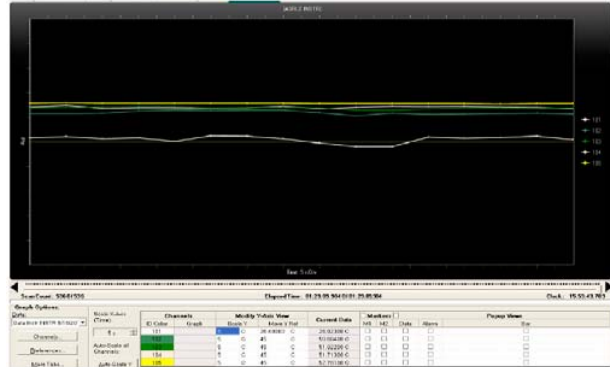
Electrical Specification

Current Rating	Power Contact: 9A Signal Contact: 1.5A
Contact Resistance	Initial: 25 mΩ Max. ΔR=10 mΩ Max.
Dielectric Withstanding Voltage	Power Contact: 1800V DC Signal Contact: 500V DC

Temperature Rise



CH	Ambient Temp.	Actual Temp.	ΔT	Result
CH02	26.92°C	50.66°C	23.74°C	Pass
CH03	26.92°C	51.92°C	25°C	Pass
CH04	26.92°C	51.73°C	24.81°C	Pass
CH05	26.92°C	52.78°C	25.86°C	Pass



Applications

Power supply, distribution and control for board-to-board, panel-mount and rack-mount connections

- Networking
- Telcom
- Server
- Storage
- Wireless
- Medical
- Test & Measure
- Industrial



Amphenol Canada Corp.
Toronto, Ontario, Canada
Tel: +1-416-291-4401
Fax: +1-416-292-0647
Email: sales@amphenolcanada.com
Web: www.amphenolcanada.com

Amphenol Commercial Products Americas
Email: info@amphenolacp.com
Web: www.amphenolacp.com

Amphenol InfoCom Europe
Houten, Netherlands
Tel: +31-30-635-8000
Fax: +31-30-637-7034
Email: customerservice@amphenol-nl.com
Web: www.amphenolinfocom.eu

Amphenol Japan Infocom
Tokyo, Japan
Tel: +81-45-473-9191
Fax: +81-45-473-9204
Email: info@amphenol.co.jp
Web: www.amphenol.co.jp

Amphenol Daeshin Limited
Bucheon, Korea
Tel: +82-32-610-3800
Fax: +82-32-673-2507
Email: info@amphenol.co.kr
Web: www.amphenol.co.kr

Amphenol Taiwan Corporation
Taoyuan, Taiwan
Tel: +886-3-379-5677
Fax: +886-3-360-7259
Email: info@amphenol.com.tw
Web: www.amphenol.com.tw

Amphenol East Asia Limited - South East Asia
The Concourse, Singapore
Tel: +65-6294-2128
Fax: +65-6294-3522
Email: info@amphenol.com.sg
Web: www.amphenol.com.sg

Amphenol East Asia Limited
Hong Kong, China
Tel: +852-2699-2663
Fax: +852-2691-1774
Email: enquiry@amphenol.com.hk
Web: www.amphenol.com.hk

Amphenol Shanghai Sales
Shanghai China
Tel: +86-21-5836-5500
Fax: +86-21-5836-5618
Email: info@amphenol.com.cn
Web: www.amphenol.com.cn

Amphenol Shenzhen Sales
Shenzhen, China
Tel: +86-755-2399-2529
Fax: +86-755-2399-2540
Email: info@amphenol.com.cn
Web: www.amphenol.com.cn

ACPSDHC11