

2.50mm (0.098") PITCH CONNECTOR

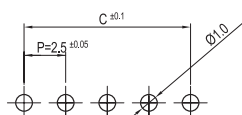
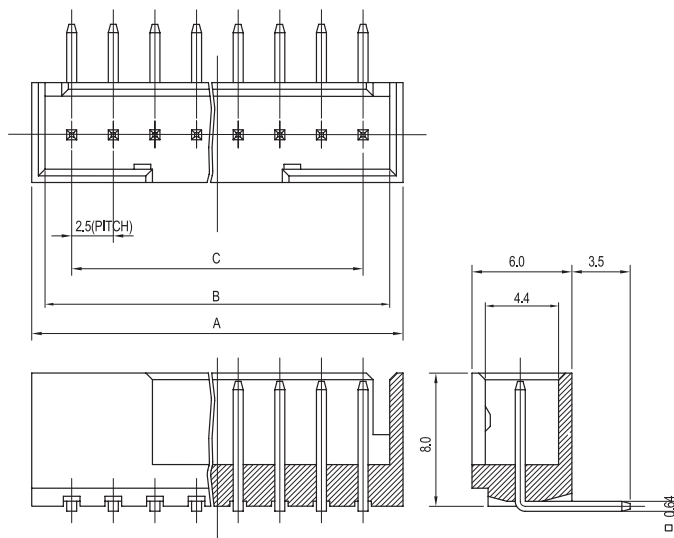
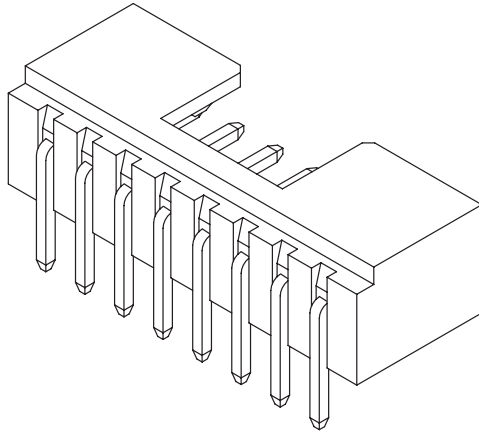


Wire-to-Board
Wafer

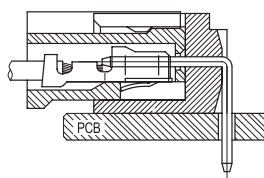
YAW025 Series

DIP

Right Angle



PCB LAYOUT



PCB ASSY

Material

| I/NO | DESCRIPTION | TITLE | MATERIAL |
|------|-------------|--------|--------------------|
| 1 | WAFER | YAW025 | PA66, UL94 V Grade |
| 2 | PIN | | Brass & Tin-Plated |

Available Pin

| PARTS NO. | DIM. A | DIM. B | DIM. C |
|-----------|--------|--------|--------|
| YAW025-02 | 7.3 | 5.7 | 2.5 |
| YAW025-03 | 9.8 | 8.2 | 5.0 |
| YAW025-04 | 12.3 | 10.7 | 7.5 |
| YAW025-05 | 14.8 | 13.2 | 10.0 |
| YAW025-06 | 17.3 | 15.7 | 12.5 |
| YAW025-07 | 19.8 | 18.2 | 15.0 |
| YAW025-08 | 22.3 | 20.7 | 17.5 |
| YAW025-09 | 24.8 | 23.2 | 20.0 |
| YAW025-10 | 27.3 | 25.7 | 22.5 |
| YAW025-11 | 29.8 | 28.2 | 25.0 |
| YAW025-12 | 32.3 | 30.7 | 27.5 |
| YAW025-13 | 34.8 | 33.2 | 30.0 |
| YAW025-14 | 37.3 | 35.7 | 32.5 |
| YAW025-15 | 39.8 | 38.2 | 35.0 |

Specification

| ITEM | SPEC |
|------------------------|--------------|
| Voltage Rating | AC/DC 250V |
| Current Rating | AC/DC 3A |
| Operating Temperature | -25°C~+85°C |
| Contact Resistance | 30mΩ MAX |
| Withstanding Voltage | AC1000V/1min |
| Insulation Resistance | 1000MΩ MIN |
| Applicable Wire | - |
| Applicable P.C.B | 1.2~1.6mm |
| Applicable FPC/FFC | - |
| Solder Height | - |
| Crimp Tensile Strength | - |
| UL FILE NO | E108706 |