

# 10 Base-T Multiport Module with Enhanced Common Mode Attenuation

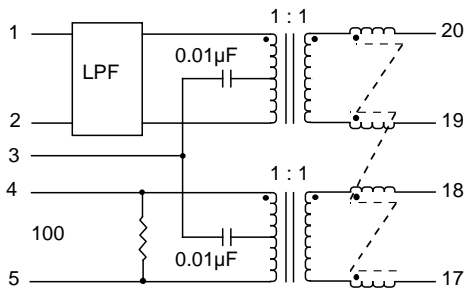
## EPE6115S

- Optimized for IMR2 chip •
- Robust Construction allows for toughest Reflow Processing •
- Complies with or exceeds IEEE 802.3, 10 Base-T Requirements •

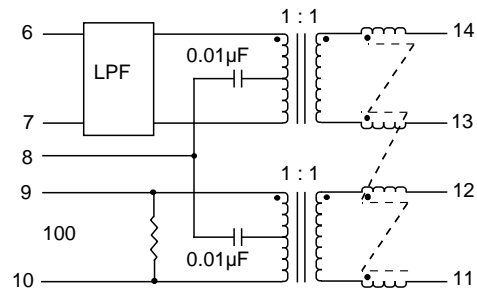
### Electrical Parameters @ 25° C

Cut-off Frequency (MHz)	Insertion Loss (dB Max.)		Return Loss (dB Min.)		Attenuation (dB Min.)								Common Mode Rejection (dB Min.)		Crosstalk (dB Min.)	
	1-10 MHz	5-10 MHz	@ 20 MHz	@ 25 MHz	@ 30 MHz	@ 40 MHz	@ 30-100 MHz	@ 1-10 MHz								
±1.0 MHz	Xmit	Rcv	Xmit	Rcv	Xmit	Rcv	Xmit	Rcv	Xmit	Rcv	Xmit	Rcv	Xmit	Rcv		
17.0	---	-1	-1	-15	-15	-7	---	-18	---	-30	---	-35	---	-30	---	-30

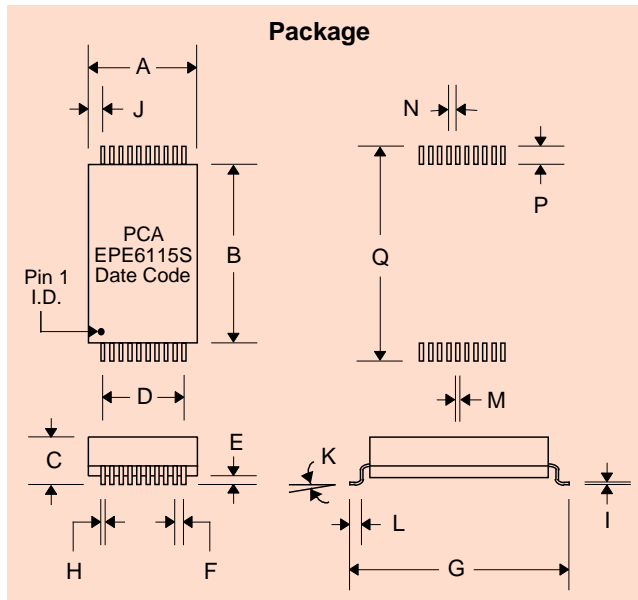
• Isolation : meets or exceeds 802.3 IEEE Requirements • Characteristic Filter Impedance : 100 •



### Schematic



### Package



### Dimensions

Dim.	(Inches)			(Millimeters)		
	Min.	Max.	Nom.	Min.	Max.	Nom.
A	.600	.620		15.24	15.75	
B	.985	1.005		25.02	25.53	
C	.250	.270		6.35	6.86	
D	.450	Typ.		11.43	Typ.	
E	.005	.015		.127	.381	
F	.050	Typ.		1.27	Typ.	
G	1.140	1.160		28.96	29.46	
H	.016	.022		.406	.559	
I	.008	.012		.203	.305	
(J)	.078	Typ.		2.03	Typ.	
K	0°	8°		0°	8°	
L	.025	.045		.635	1.14	
M			.030			.762
N			.050			1.27
P			.090			2.29
Q			1.19			30.22