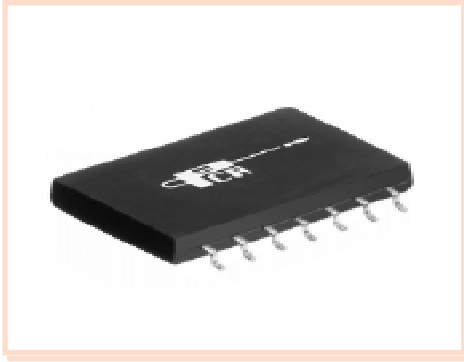


10 Base-T PC Card Module with Enhanced CMA and Resistor Network

EPE6049G



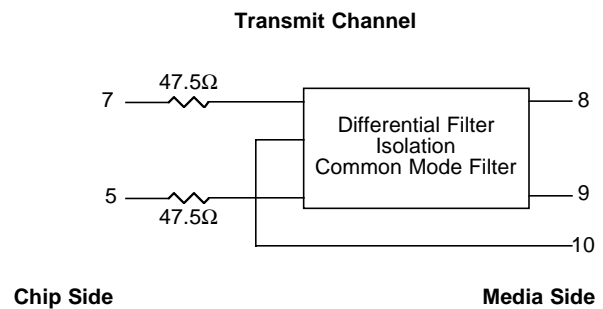
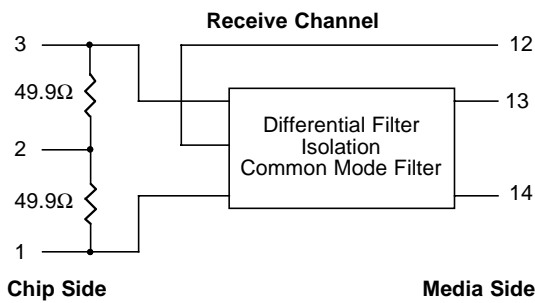
- Optimized for Level One's LXT902 •
- Robust construction allows for IR/VP processes •
- Complies with or exceeds IEEE 802.3, 10 Base-T Requirements •

Electrical Parameters @ 25° C

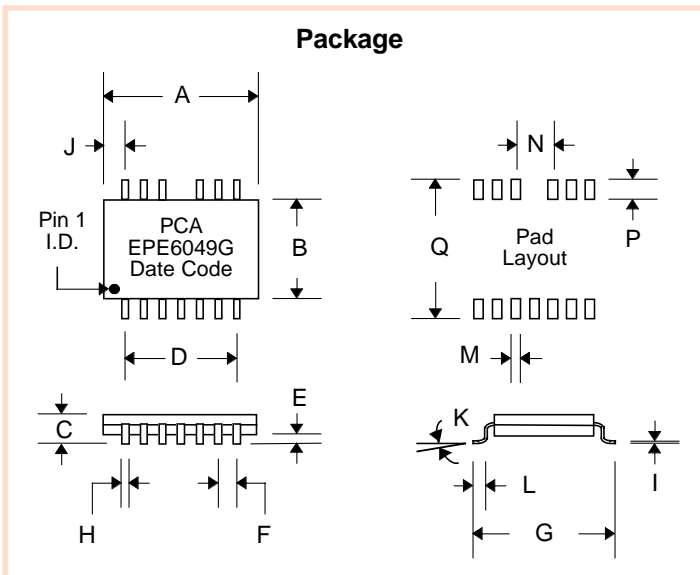
Cut-off Frequency (MHz)		Insertion Loss (dB Max.)		Return Loss (dB Min.)		Attenuation (dB Min.)								Common Mode Rejection (dB Min.)				Crosstalk (dB Min.)				
± 1.0 MHz		1-10 MHz		5-10 MHz		@ 20 MHz		@ 25 MHz		@ 30 MHz		@ 4 MHz		@ 50 MHz		@ 100 MHz		@ 200 MHz		@ 1-10 MHz		
Xmit	Rcv	Xmit	Rcv	Xmit	Rcv	Xmit	Rcv	Xmit	Rcv	Xmit	Rcv	Xmit	Rcv	Xmit	Rcv	Xmit	Rcv	Xmit	Rcv	Xmit	Rcv	
17	17	-1	-1	-25	-25	-7	-5	-15	-11	-25	-15	-30	-25	-30	-30	-30	-30	-30	-20	-20	-30	-30

- **Isolation** : meets or exceeds 802.3 IEEE Requirements •
- **Characteristic Filter Impedance** : 100 Ω •
- Referenced to the filter output @ 5 MHz for filter only, excluding resistor network •

Schematic



Package



Dimensions

Dim.	(Inches)			(Millimeters)		
	Min.	Max.	Nom.	Min.	Max.	Nom.
A	.780	.800		19.81	20.32	
B	.510	.530		12.95	13.46	
C	.074	.084		1.88	2.13	
D	.600	Typ.		15.24	Typ.	
E	.003	.020		.076	.508	
F	.100	Typ.		2.54	Typ.	
G	.660	.680		16.76	17.27	
H	.016	.022		.406	.559	
I	.010	Typ.		.254	Typ.	
J	.095	Typ.		2.41	Typ.	
K	0°	8°		0°	8°	
L	.035	.045		.889	1.14	
M			.030			.762
N			.200			5.08
P			.085			2.16
Q			.700			17.78