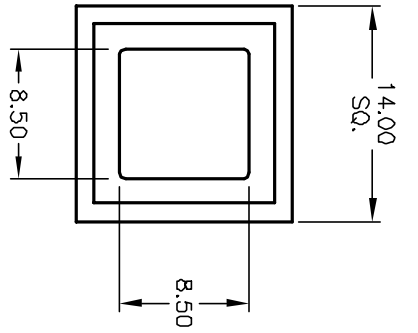
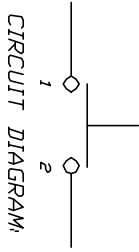


RECOMMENDED PANEL MOUNT

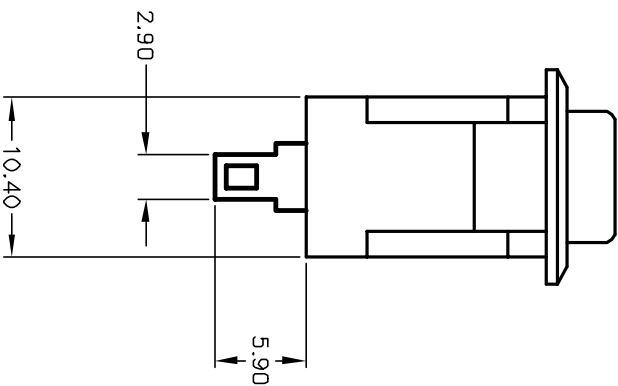
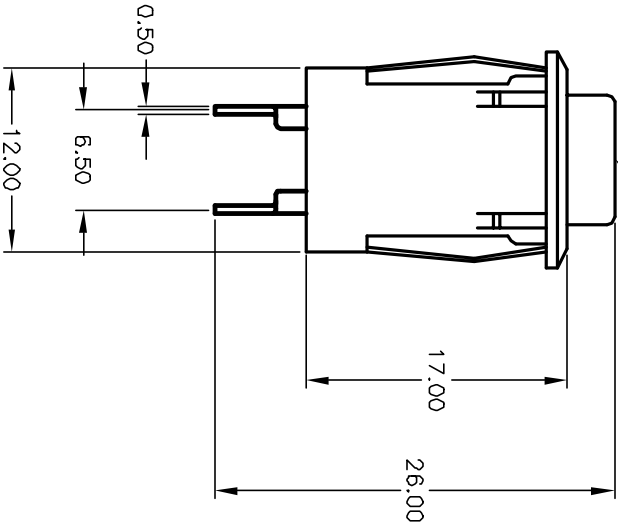


RED BUTTON



CIRCUIT DIAGRAM:

OFF (ON)



NOTES:

1. ALL DIMENSIONS IN MM
2. GENERAL TOLERANCE: X.X=±0.4
X.XX=±0.25
3. RATING: 5A @250VAC, 1A @125VAC
4. BUTTON FINISH: TEXTURED

REV.		ECN No.		DESCRIPTION		DATE		CHKD		TITLE		SCALE		DATE		DR		DWG		REV	
A		11894		RELEASED FOR PRODUCTION		2/13/02		CJB		PS10574 (RED BUTTON)		2:1		2/13/02		CJB		F010569		A	
<p>THE INFORMATION CONTAINED IN THIS DOCUMENT IS PROPRIETARY TO E-SWITCH AND IS NOT TO BE COPIED OR TRANSFERRED</p>																					

E-SWITCH®