

### Specifications

Insulation Resistance:	1,000MΩ min.
Withstanding Voltage:	500V ACrms for 1 minute
Contact Resistance:	40mΩ max.
Current Rating:	0.5A per contact
Soldering Temp.:	Rear socket: 220°C /40 sec., 240°C peak

### Materials and Finish

Insulator:	PBT, glass filled (UL94V-0)
Contact:	Phosphor Bronze
Header:	Header:
	Card side - Au 0.3μm over Ni 2.0μm
	Rear side - Au flash over Ni 2.0μm
	Rear Socket:
	Mating side - Au 0.2μm over Ni 1.0μm
	Solder side - Au flash over Ni 1.0μm
Plate:	Stainless Steel
Side Contact:	Phosphor Bronze
Plating:	Au over Ni

### Features

- SMT connector makes assembly and rework easier
- Small, light and low profile connector meets all kinds of PC card system requirements
- Various product combinations single or double deck, right or left eject lever, polarization styles, various stand-off heights, fully supports the customer's design needs
- Convenience of PC card removal with push type eject lever



### Part Number (Details)

CNS - S T P - A R - 8 3 - A - 1

Series

S = Single Deck

PCB Mounting Style:  
T = Top B = Bottom

Voltage Style:  
P = 3.3V / 5V Card

A = Plastic Lever  
B = Metal Lever  
C = Foldable Lever  
D = 2 Step Lever  
E = Without Ejector

Eject Lever:  
R = Right L = Left

\*Height of Stand-off:  
1 = 0mm 4 = 2.2mm 8 = 5.0mm

Nut Insert: 0 = None (on request)  
1 = Header (on request)  
2 = Guide (on request)  
3 = Header / Guide (standard)

Shield Plate: A = None  
B = Top  
C = Bottom  
D = Top / Bottom

Kapton Film: no mark = None  
1 = Top  
2 = Bottom  
3 = Top and Bottom

\*Stand-off products 0.0 and 2.2mm are subject to a minimum order quantity of 1,120 pcs.

### Part Number (Details) for Rear Socket

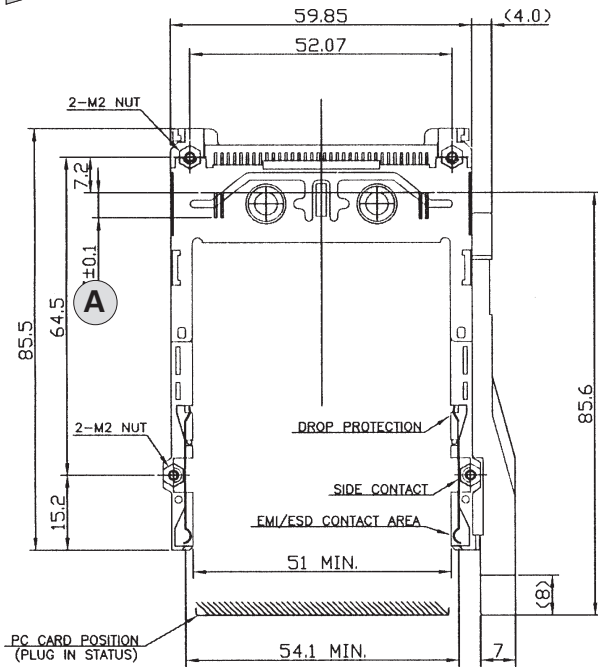
PCMCIA - 1260 - \*

Packing Number

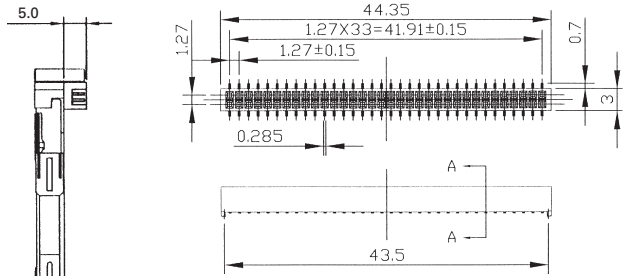
Available Types

- 0 = Without Kapton Film (Tray)
- 1 = With Kapton Film (Tray)
- 9 = With Kapton Film (Tape & Reel, 1,500 pcs. per reel)

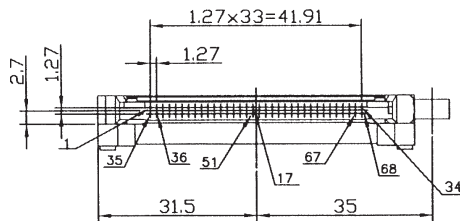
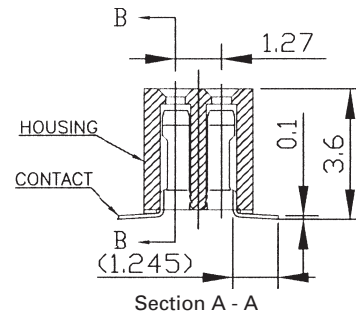
Example: Single Deck SMT Fixing with 5.0mm Stand-off



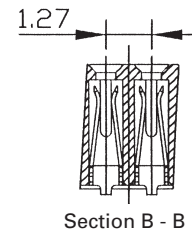
Rear Socket



Rear Socket Section Details



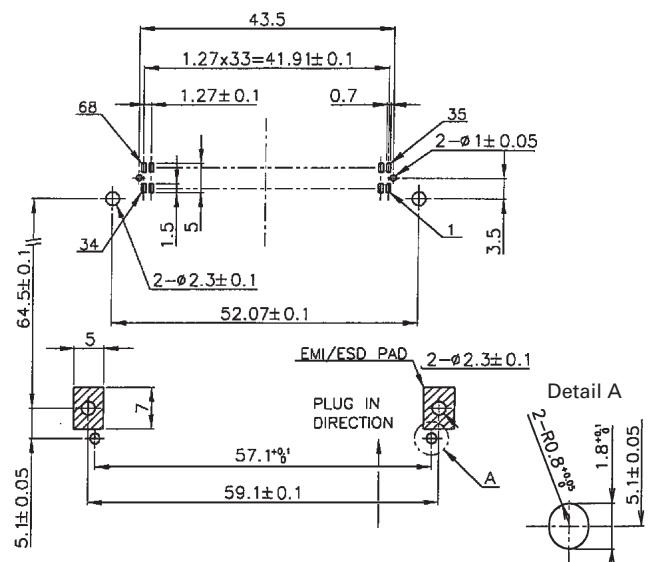
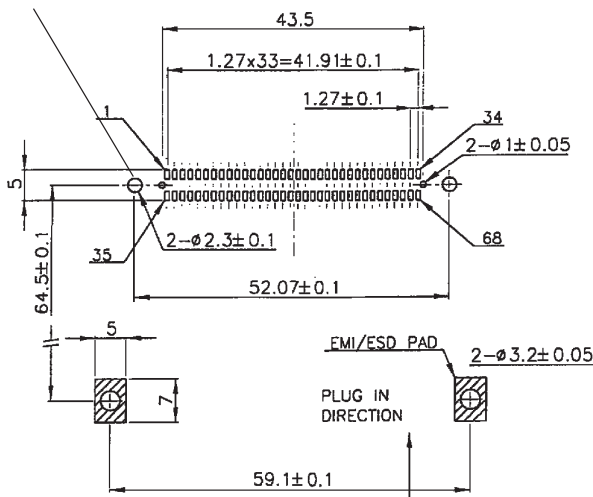
Contact Dimensions at	Length
Contacts A1, A17, A34, A35, A51 and A68	5.00 ±0.1
Contacts A36 and A67	3.50 ±0.1
All other contacts	4.25 ±0.1



Example PCB Layout

With Stand-off  
Without Stand-off

Please Note: this hole for stand-off 2.2mm and 5.0mm lies on the center line with the SMD pad



Top View