



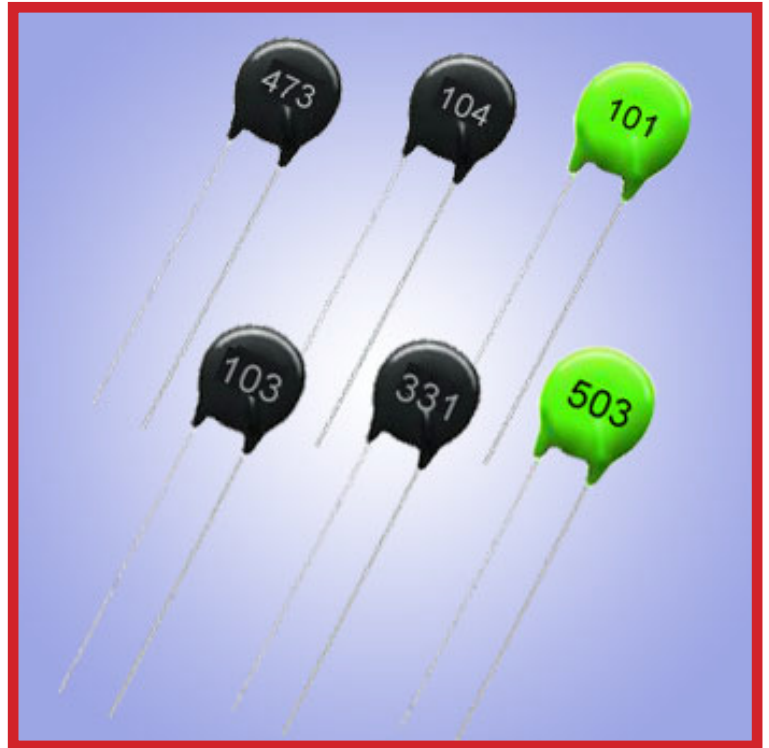
CANTHERM

Supplying high-quality bimetal and thermal sensor products.

MF11

Temperature Compensation NTC Thermistor

The MF11 series of NTC Thermistors is designed for temperature measurement and the temperature compensation of measurement instruments and electronic circuits.



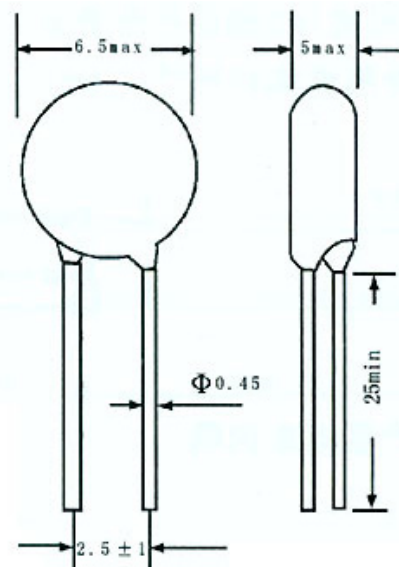
Application

- Temperature Measurement
- Temperature Compensation of Electronic Circuits

Characteristics

- Broad range of resistance
- Wide choice of B values
- Standard tolerances: $\pm 5\%$, $\pm 10\%$, $\pm 20\%$
- B Value tolerance: $\pm 5\%$
- Available in all standard R values
- Measuring power $\leq 0.5\text{mW}$
- Dissipation Constant $\geq 6.0\text{mW}/^\circ\text{C}$
- Time Constant of ≤ 30 seconds
- Rated Power: 0.5W
- Long-term Stability and Reliability
- Good level of Tolerance and Interchangeability
- Temperature Range: -55°C to 125°C

Dimensions (mm)



CANTHERM

8415 Mountain Sights Avenue • Montreal (Quebec), H4P 2B8, Canada

Tel: (514) 739-3274 • 1-800-561-7207 • Fax: (514) 739-2902

E-mail: sales@cantherm.com • Website: www.cantherm.com

2006/Mar



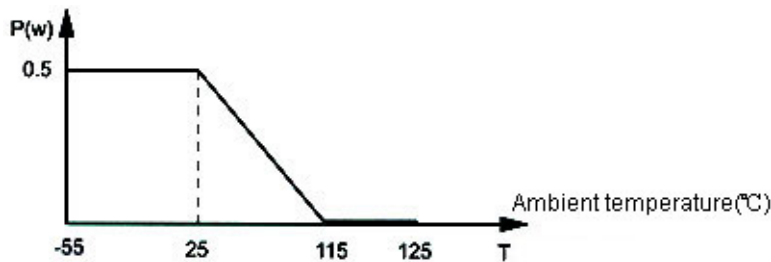
CANTHERM

Supplying high-quality bimetal and thermal sensor products.

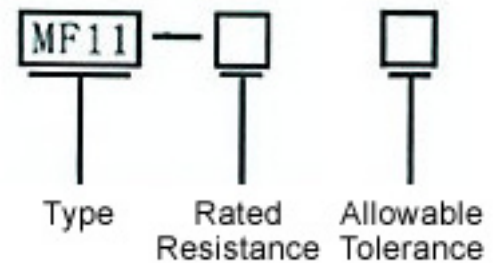
Part No	Rated zero-power resistance at 25°C		B Value (25/50°C)	
	Resistance range (Ω)	Allowable Tolerance (%)	Rated Value (K)	Allowable Tolerance (%)
MF11	3.3-33	+/- 5 +/- 10 +/- 20	2700	+/-5
	6.8-68		2830	
	15-150		2950	
	33-330		3100	
	68-680		3250	
	150-1500		3400	
	330-3300		3570	
	680-6800		3740	
	1500-15000		3900	
	3300-33000		4050	

Remark: We can produce thermistors according to your special requirements.

Power-Consumption curve:



Specification



CANTHERM

8415 Mountain Sights Avenue • Montreal (Quebec), H4P 2B8, Canada

Tel: (514) 739-3274 • 1-800-561-7207 • Fax: (514) 739-2902

E-mail: sales@cantherm.com • Website: www.cantherm.com