

DESCRIPTION

LXMG1930-28-0x module is a boost white LED driver for medium size LCD LED backlight panels. It is designed to drive up to three strings of LEDs to a maximum of 35V at up to 50mA per string.

The module consists of a boost converter and three programmable 15 to 50 mA precision current sinks. It is designed to work over a wide input voltage range (4.75V to 28V) providing maximum flexibility. However the converter is a boost only design requiring the input supply voltage to not exceed the output LED string voltage.

The module provides a dimming input: BRITE_A which adjusts the LED display brightness by controlling the amplitude of the LED string current.

The BRITE_A input is very flexible and can be controlled by a PWM signal, the application of a DC control voltage or use of a potentiometer tied as a rheostat.

Precision current mirror circuitry typically provides for 1% percent string to string matching at the rated output current. The magnitude of the string current is easily programmed, in 5mA steps through an on board DIP switch.

The LXMG1930-28-0x includes over voltage protection (OVP), and short and open LED protection. If one string opens, its current sink will be disabled and the other strings will continue to operate normally. Likewise if one or several LEDs in a string short it will continue to function with no adverse affect on the other strings. With the use of an external thermistor the module can provide LED current fold back in an over temperature situation.

The module comes in a small form factor PCB and uses an 8 pin input and one of three output connectors.

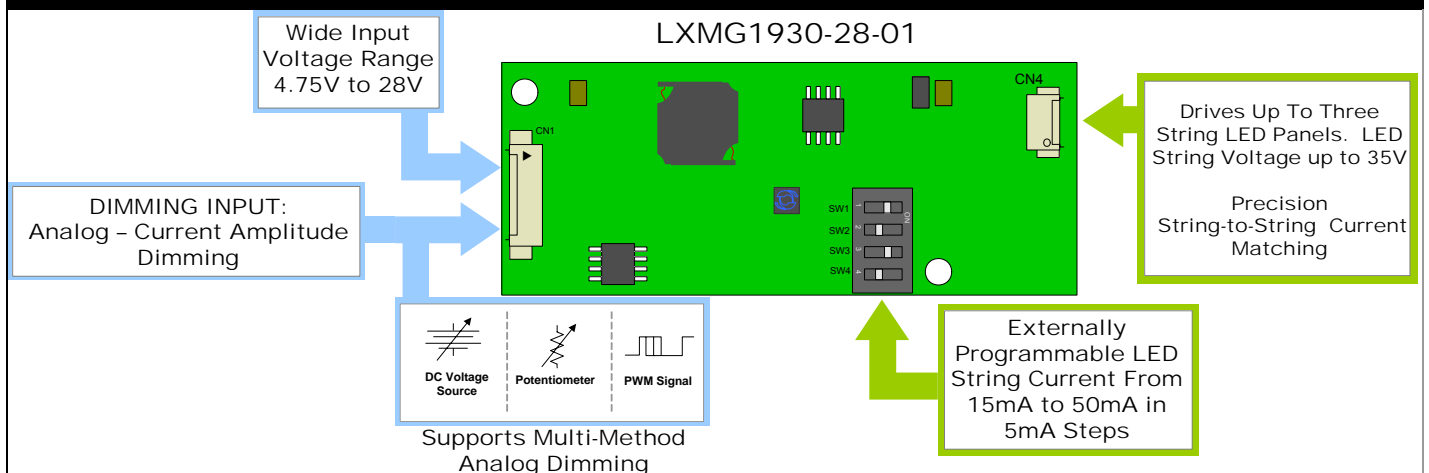
KEY FEATURES

- Drives Up To 3 String LED Panels
- Strings Can Be Combined For Higher Current
- Wide Input Voltage 4.75V-28V
- String Voltage Up To 35V
- LED String Current Programmable in 5mA Steps from 15mA to 50mA For Matching Various Panel Requirements
- 1% Typical String-to-String Current Matching
- Analog Dimming Provides For a 10:1 Ratio
- Supports Multiple Methods Of Dimming Such As DC Voltage, PWM Signal and Potentiometer
- Output Over Voltage Protection
- LED Over Temperature Protection Input

APPLICATIONS

- Medium Size White LED Backlight LCD Displays
- Portable Instrumentation Displays
- Medical Instrument Displays

IMPORTANT: For the most current data, consult MICROSEMI's website: <http://www.microsemi.com>
Patents Pending

PRODUCT HIGHLIGHT

ORDER INFORMATION

Part Number	Input Connector	Output Connector
LXMG1930-28-01	Molex 53261-0871 or equivalent	Molex 53261-0471 or equivalent
LXMG1930-28-03		Hirose DF19G-8P-1H or equivalent
LXMG1930-28-04		Kyocera 04-6298-006-000-883+ or equivalent

ABSOLUTE MAXIMUM RATINGS

Input Voltage (V_{IN}).....	-0.3V to 30V
Input Power	6.2W
Output String Current	53mA (Internally Limited)
Output String Voltage	38V (Internally Limited)
Output Power	5.5W
Input Signal Voltage (ENABLE Input).....	-0.3V to 30V
Input Signal Voltage (OT).....	-0.3V to 5V
Input Signal Voltage (BRITE_A).....	-0.3V to 6V
Ambient Operating Temperature, zero airflow	-30°C to 80°C
Storage Temperature Range	-40°C to 85°C

Note: Exceeding these ratings could cause damage to the device. All voltages are with respect to Ground. Currents are positive into, negative out of specified terminal.

RECOMMENDED OPERATING CONDITIONS (R.C.)

This module has been designed to operate over a wide range of input and output conditions. However, best efficiency and performance will be obtained if the module is operated under the condition listed in the 'R.C.' column. Min. and Max. columns indicate values beyond which the inverter, although operational, might not function optimally.

Parameter	Symbol	Min	R.C.	Max	Units
Input Supply Voltage Range	V_{IN}	4.75	12	28	V
Linear BRITE_A Control Input Voltage Range	V_{BRITE_A}	0.2		2.2	V
LED String Voltage	V_{LED}	V_{IN}		35*	V
Each Cathode Sink Current	CS_{ISINK}	15		50	mA
Operating Ambient Temperature Range	T_A	-30		75	°C

* Input supply voltage should not exceed LED string voltage as this will result in excessive power dissipation in the module.

ELECTRICAL CHARACTERISTICS

Unless otherwise specified, the following specifications apply over the recommended operating condition and ambient temperature of 0°C to 60°C except where otherwise noted; $V_{IN} = 4.75V$; BRITE_A = Open; ENABLE = V_{IN} ; DIP-SW1~3 = ON; OT = open

Parameter	Symbol	Test Conditions / Comment	Min	Typ	Max	Units
Input Voltage	V_{IN}		4.75	12	28	V
Sleep Current	$I_{IN(MIN)}$	ENABLE = 0V		20	100	μA
Supply Current	I_{RUN5}	$V_{IN} = 5V$; $V_{LED} = 31.2V$, $I_{LED} = 50mA$; 3 Strings			1.5	A
Supply Current	I_{RUN12}	$V_{IN} = 12V$; $V_{LED} = 31.2V$, $I_{LED} = 50mA$; 3 Strings		0.5	0.6	A
Supply Current During Fault Timeout	I_{FAULT}	Open All Output Strings Fault Timeout		6	10	mA
Estimated Efficiency	η	$V_{IN} = 12V$; $V_{LED} = 31.2V$, $I_{LED} = 50mA$; 3 Strings	80	85		%

Logic

ENABLE Input Low Voltage	ENABLE V_L				0.8	V
ENABLE Input Hi Voltage	ENABLE V_H	DIP-SW1~3 = ON	2.0		V_{IN}	V

DIMMING

BRITE_A voltage for Full Bright	V_{BRITE_A}		1.8	2.0	2.2	V
---------------------------------	----------------	--	-----	-----	-----	---

ELECTRICAL CHARACTERISTICS

Unless otherwise specified, the following specifications apply over the recommended operating condition and ambient temperature of 0°C to 60°C except where otherwise noted; $V_{IN} = 4.75V$; BRITE_A = Open; ENABLE = V_{IN} ; DIP-SW1~3 = ON; OT = open

Parameter	Symbol	Test Conditions / Comment	Min	Typ	Max	Units
Potentiometer Dimming on BRITE_A	POT		400	500	600	k Ω
PWM Frequency Range for BRITE_A	f_{BRITE_A}		100		25000	Hz
BRITE_A PWM Voltage	V_{BRITE_A-PWM}		2.5		5.5	V
BRITE_A Sink Current	I_{BRITE_A}	BRITE_A = 0V		12		μA
Output Current Dim Range (Analog Dimming)		$I_{LED} = 50mA$, BRITE_A = 0V Versus BRITE_A $\geq 2.2V$		10		RATIO
LED Current On Rise Time	T_{CS_Rise}			200		ns
LED Current Off Fall Time	T_{CS_Fall}			400		ns

Device Protection

LED Short Protection Threshold	$V_{CS_{SD}}$	Voltage at CSx pin that latches off its respective string.		15		V
CS Pin Over-Voltage Limit	$V_{CS_{OV}}$	Voltage at CSx pin that clamps Anode Output	23	25	27	V

LED Current Sink Outputs

LED DC Current Programming Range	I_{CS}	Combination of DIP Switch1~3 ON/OFF	15		50	mA
LED DC Current	$I_{CS_{MIN}}$	VDIP-SW1~3 = OFF	14.25	15	15.75	mA
LED DC Current	ΔI_{CSA}	Delta current SW1~3 = OFF to DIP-SW1= ON	4.75	5	5.25	mA
LED DC Current	ΔI_{CSB}	Delta current SW1~3 = OFF to DIP-SW2= ON	9.5	10	10.5	mA
LED DC Current	ΔI_{CSC}	Delta current SW1~3 = OFF to DIP-SW3= ON	19	20	21	mA
LED DC Current	$I_{CS_{MAX}}$	VDIP-SW1~3 = ON	47.5	50	52.5	mA
Current Matching Between Strings.		$V_{CSX} = 0.8V$ to 5V	-2		2	%
Regulated CS Pin Voltage		At the lowest CS pin, $I_{CSX} = 50mA$; DIP- SW1~3 = ON	0.5	0.9		V

LED String Voltage

LED String Voltage	V_{LED}	Rated LED current	V_{IN}		35	V
--------------------	-----------	-------------------	----------	--	----	---

LED Panel Thermal Protection

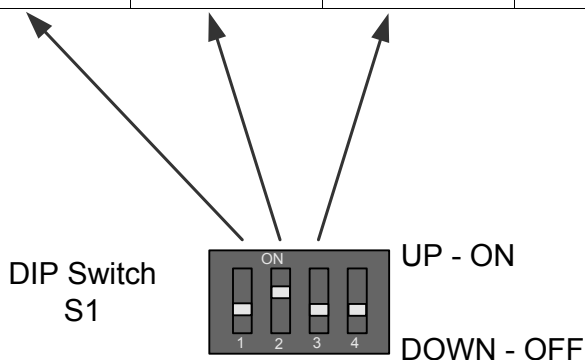
LED Over Temperature Shut Down Threshold	V_{OT}			1.47		V
Over Temperature Recovery Voltage	V_{OT}			1.8		V
OT Sink Current	I_{OT}	OT = 0V		240		μA

FUNCTIONAL PIN DESCRIPTION

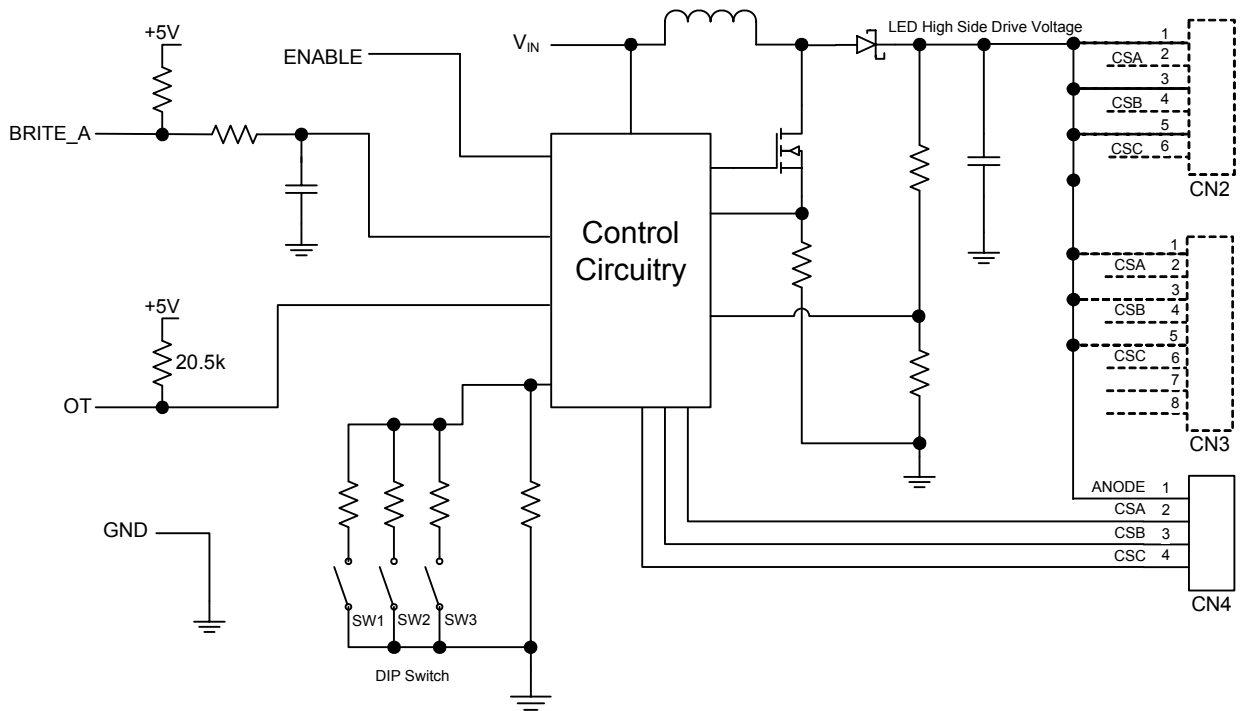
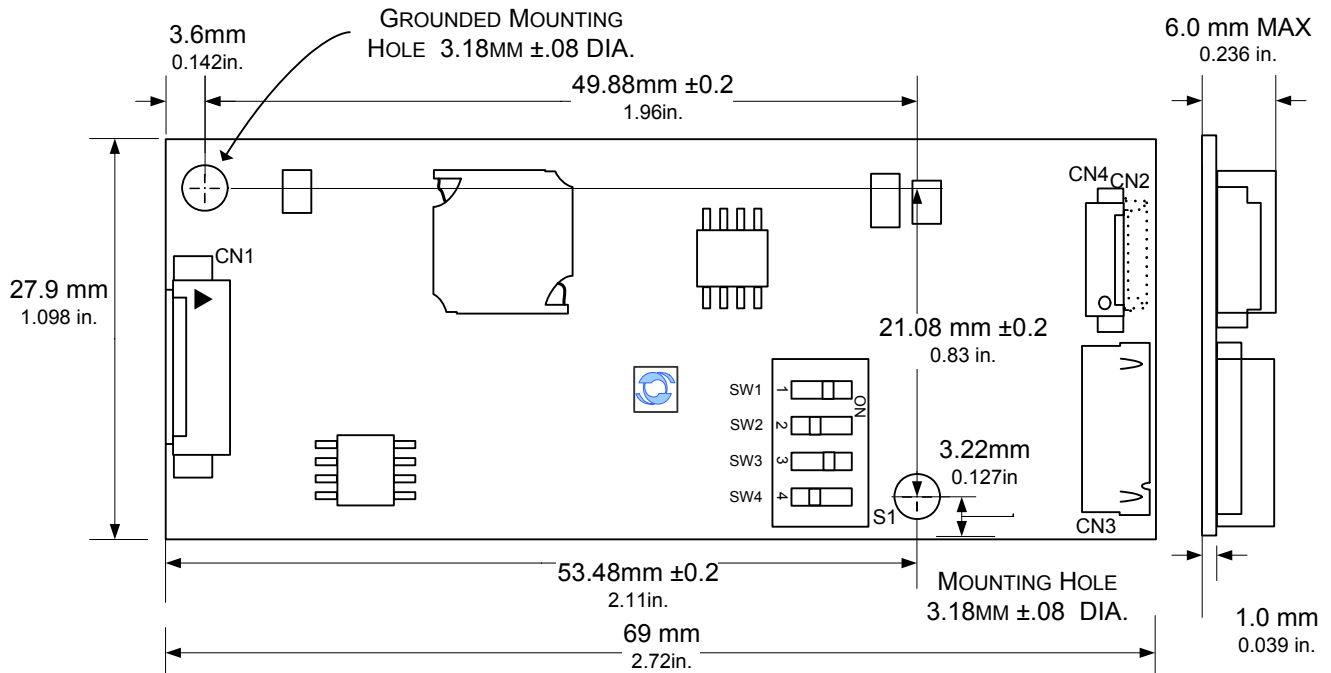
Name	Pin #	Description
CN1 (Molex 53261-0871) for LXMG1930-28-0x		
CN1-1	V _{IN}	Main Input Power Supply 4.75V to 28V
CN1-2		
CN1-3	GND	Power Supply Return
CN1-4		
CN1-5	ENABLE	ON/OFF Control. (ENABLE = 0V = OFF, ENABLE = 2V = ON)
CN1-6	OT	Operating Temperature Detection Input. A Thermistor Usually Is Connected From This Pin To Ground.
CN1-7	BRITE_A	Analog Dimming Input. BRITE_A 0~2.2V→Io 10%~100%. 100Hz<f <25kHz, 3.3V PWM and 500kohms Rheostat are Equivalent Dimming Methods.
CN1-8	NC	No Connect, Leave This Pin Open
CN2 (Kyocera 04-6298-006-000-883+) for LXMG1930-28-04 (Please verify proper polarity of FPC to panel backlight connection)		
CN2-1	Anode	Common LED High Side Drive Voltage
CN2-2	CSA	Channel A Cathode Sink Driver
CN2-3	Anode	Common LED High Side Drive Voltage
CN2-4	CSB	Channel B Cathode Sink Driver
CN2-5	Anode	Common LED High Side Drive Voltage
CN2-6	CSC	Channel C Cathode Sink Driver
CN3 (Hirose DF19G-8P-1H) for LXMG1930-28-03		
CN3-1	Anode	Common LED High Side Drive Voltage
CN3-2	CSA	Channel A Cathode Sink Driver
CN3-3	Anode	Common LED High Side Drive Voltage
CN3-4	CSB	Channel B Cathode Sink Driver
CN3-5	Anode	Common LED High Side Drive Voltage
CN3-6	CSC	Channel C Cathode Sink Driver
CN3-7	NC	No Connect
CN3-8	NC	No Connect
CN4 (Molex 53261-0471) for LXMG1930-28-01		
CN4-1	Anode	Common LED High Side Drive Voltage
CN4-2	CSA	Channel A Cathode Sink Driver
CN4-3	CSB	Channel B Cathode Sink Driver
CN4-4	CSC	Channel C Cathode Sink Driver

DIP SWITCH LED STRING CURRENT SETTINGS

SW1 (5mA)	SW2 (10mA)	SW3 (20mA)	SW4 (not used)	LED String Current	Notes
OFF	OFF	OFF		15mA	Minimum String current
ON	OFF	OFF		20mA	
OFF	ON	OFF		25mA	
ON	ON	OFF		30mA	
OFF	OFF	ON		35mA	
ON	OFF	ON		40mA	
OFF	ON	ON		45mA	
ON	ON	ON		50mA	Maximum String Current



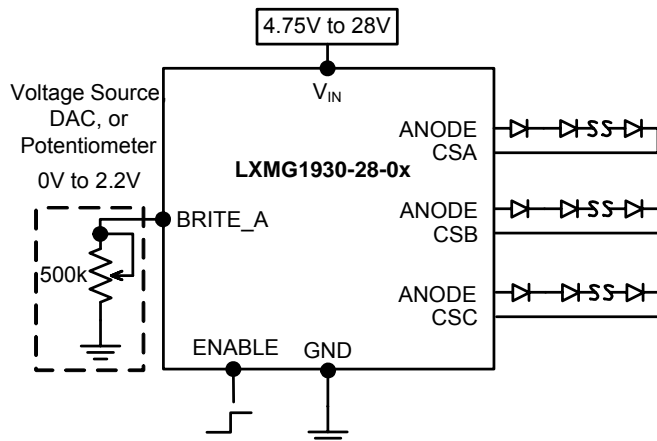
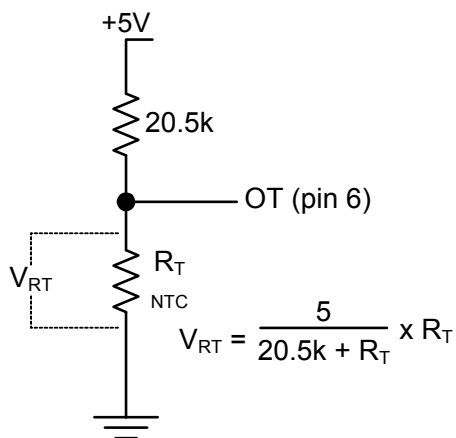
Example shows S1 programmed for 25mA LED String Current

SIMPLIFIED BLOCK DIAGRAM

MECHANICAL DRAWING


Dimensions are in millimeters (inches are for reference only)

PCB tolerances $\pm 0.5\text{mm}$, M3 recommended mounting screws

Weight: (8g) typ.

APPLICATION INFORMATION

Figure 1

Figure 2

- The LED string current and therefore the brightness may be controlled by the BRITE_A input. The typical dimming range using the BRITE_A input alone is 10:1.
- The BRITE_A input may come from a voltage output DAC or other voltage source, a 500k digital or manual pot, or a PWM signal in the range of 100 Hz to 25 kHz. The module contains an internal 422k pull-up to typically 5V to provide bias if using a pot. Logic levels may be used up to 5V, however the inverter will reach maximum current at less than 100% duty cycle. This can be calculated as approximately 2.2V divided by the logic high voltage level; with 3.3V logic level this corresponds to about 66% duty cycle for maximum string current.
- If you need to turn the module ON/OFF remotely, connect to TTL logic signal to the ENABLE input.
- It is to be noted that although the module provides for a wide input voltage range 4.75V to 28V it is designed as a boost only converter. Therefore the input voltage should not exceed the LED string voltage.
- Use of an external thermistor connected from OT pin to ground will provide over temperature protection (see figure 2). The module can provide for the gradual scaling back of LED string current until it is completely shut off based on the voltage level impressed on the OT input. When the voltage on the OT pin decreases below 2.48V the string current will begin to decrease until it is completely shut off when OT reaches 1.47V. This corresponds to a thermistor value of about 8542 ohms at string current shutdown.
- As an example using a 100k (at 25°C) NTC thermistor with a B Constant of 4250 will provide a thermal profile where the module will begin to scale back the LED string currents at a temperature (as measured by the thermistor) greater than 60°C and shut down the string current if the temperature exceeds 85°C.
- Although the module provides open circuit string protection, if the common LED high side drive voltage (Anode) is directly shorted to ground this will result in damage to the fuse and possible damage to the Schottky diode. Likewise if any of the low side current sink drivers (CSx) are directly shorted to ground it will result in damage to the fuse, Schottky diode and possibly the LED string.



LXMG1930-28-0x

3-String 5W LED Backlight Boost Driver Module

PRODUCTION DATASHEET

NOTES

PRODUCTION DATA – Information contained in this document is proprietary to Microsemi and is current as of publication date. This document may not be modified in any way without the express written consent of Microsemi. Product processing does not necessarily include testing of all parameters. Microsemi reserves the right to change the configuration and performance of the product and to discontinue product at any time.