

DESCRIPTION

The LXMG1623-05-6x is a Dual 6W Output Direct DriveTM CCFL (Cold Cathode Fluorescent Lamp) Inverter Module specifically designed for driving LCD backlight lamps. It is ideal for driving typical 10.4" to 15" TFT panels.

LXMG1623 modules provide the designer with a vastly superior display brightness range. This brightness range is achievable with virtually any LCD display.

The modules are available with a dimming input that permits brightness control from either a DC voltage source or a PWM signal or external Potentiometer. The maximum output current is externally programmable over a range of 5 to 8mA in 1mA steps to allow the inverter to properly match to a wide array of LCD panel lamp current specifications.

RangeMAXTM Digital Dimming Technique provides flicker-free brightness control in any wide range typically (50:1+) dimming application.

The resultant "burst drive" that energizes the lamp was designed specifically to ensure that no premature lamp degradation occurs, while allowing significant power savings at lower dim levels.

The modules convert DC voltage from the system battery or AC adapter directly to high frequency, high-voltage waves required to ignite and operate CCFL lamps. A 12V input inverter is also available (LXMG1623-12-6x), as well as 4W versions (LXMG1623-xx-4x) for driving smaller lower voltage panels.

The modules design is based on Microsemi's new LX1689 backlight controller, which provides a number of cost and performance advantages due to the controller's high level of integration.

Other benefits of this new topology are stable fixed-frequency operation, secondary-side strike-voltage regulation and both open/shorted lamp protection with fault timeout.

KEY FEATURES

- Externally Programmable Maximum Output Current
- Easy to Use Brightness Control
- RangeMAXTM Wide Range Dimming
- Output Open/Short-Circuit Protection and Automatic Strike-Voltage Regulation and Timeout
- Fixed Frequency Operation
- Rated From -20 to 70°C
- UL60950 E175910
- RoHS Compliant

APPLICATIONS

- High Brightness Displays
- Portable Instrumentation
- Desktop Displays
- Industrial Display Controls

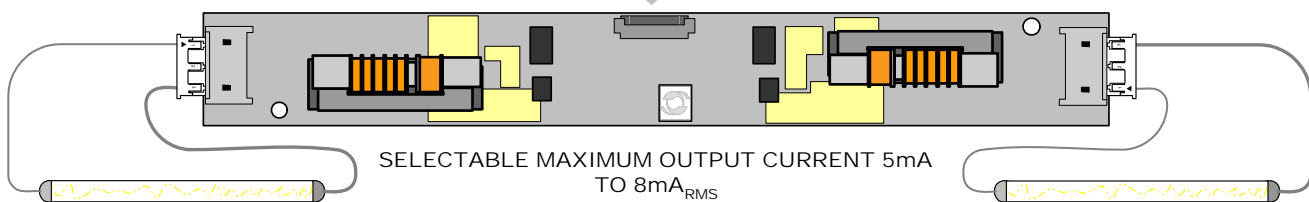
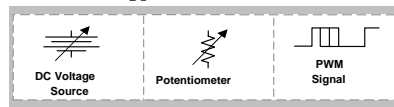
BENEFITS

- Smooth, Flicker Free 2%-100% Full-Range Brightness Control
- Programmable output current allows inverter to mate with a wide variety of LCD panel's specifications
- Output Open Circuit Voltage Regulation Minimizes Corona Discharge For High Reliability

IMPORTANT: For the most current data, consult MICROSEMI's website: <http://www.microsemi.com>
Protected By U.S. Patents: 5,923,129; 5,930,121; 6,198,234; Patents Pending

PRODUCT HIGHLIGHT

UNIVERSAL DIMMING INPUT
"PWM", V_{DC} , or POTENTIOMETER


PACKAGE ORDER INFO

| PART NUMBER | OUTPUT CONNECTOR | INVERTER MATES DIRECTLY TO PANEL CONNECTORS |
|----------------|--|---|
| LXMG1623-05-61 | JST SM02(8.0)B-BHS-1-TB(LF)(SN) or Yeon Ho 20015WR-05A00 | JST BHR-03VS-1 |
| LXMG1623-05-62 | JST SM02B-BHSS-1-TB(LF)(SN) or Yeon Ho 35001WR-02A00 | JST BHSR-02VS-1 |

ABSOLUTE MAXIMUM RATINGS (NOTE 1)

| | |
|---|--|
| Input Signal Voltage (V_{IN1})..... | -0.3V to 6.5V |
| Input Power | 15W |
| Output Voltage, no load | Internally Limited to 1800V _{RMS} |
| Output Current (each output) | 9.5mA _{RMS} (Internally Limited) |
| Output Power (each output) | 6.0W |
| Input Signal Voltage (SLEEP Input)..... | -0.3V to 5.5V |
| Input Signal Voltage (BRITE) | -0.3V to 5.5V |
| Ambient Operating Temperature, zero airflow..... | -20°C to 70°C |
| Operating Relative Humidity, non-condensing | ≤90% |
| Storage Temperature Range..... | -40°C to 85°C |

Note 1: Exceeding these ratings could cause damage to the device. All voltages are with respect to Ground. Currents are positive into, negative out of specified terminal.

RECOMMENDED OPERATING CONDITIONS (R.C.)

This module has been designed to operate over a wide range of input and output conditions. However, best efficiency and performance will be obtained if the module is operated under the condition listed in the 'R.C.' column. Min. and Max. columns indicate values beyond which the inverter, although operational, will not function optimally.

| Parameter | Symbol | Recommended Operating Conditions | | | Units |
|---|----------------|----------------------------------|------|------|-------------------|
| | | Min | R.C. | Max | |
| Input Supply Voltage Range (Fully Regulated Lamp Current) | V_{IN1} | 4.75 | 5 | 5.25 | V |
| Input Supply Voltage Range (Functional) | | 4.5 | 5 | 5.5 | |
| Output Power (each output) | P_O | | 5.5 | 6.0 | W |
| Linear BRITE Control Input Voltage Range | V_{BRT_ADJ} | 0.5 | | 2.0 | V |
| Lamp Operating Voltage | V_{LAMP} | 480 | 600 | 720 | V _{RMS} |
| Lamp Current (Full Brightness) | I_{OLAMP} | 5 | | 8† | mA _{RMS} |
| Operating Ambient Temperature Range | T_A | -20 | | 70 | °C |

†At input voltages below 5V the inverter may not be able to output the full 8mA_{RMS} in all configurations

ELECTRICAL CHARACTERISTICS

Unless otherwise specified, the following specifications apply over the recommended operating condition and ambient temperature of 25°C except where otherwise noted.

| Parameter | Symbol | Test Conditions | LXMG1623-05-6x | | | Units |
|---|---------------|--|----------------|------|-----|-------------------|
| | | | Min | Typ | Max | |
| OUTPUT PIN CHARACTERISTICS | | | | | | |
| Full Bright Lamp Current (each output) | $I_{L(MAX)}$ | $V_{BRT_ADJ} \geq 2.0V_{DC}$, $SLEEP \geq 2.0V$, $V_{IN1} = 5V_{DC}$ $I_{SET1} = Ground$, $I_{SET2} = Ground$ | 4.4 | 5 | 5.6 | mA _{RMS} |
| Full Bright Lamp Current (each output) | $I_{L(MAX)}$ | $V_{BRT_ADJ} \geq 2.0V_{DC}$, $SLEEP \geq 2.0V$, $V_{IN1} = 5V_{DC}$ $I_{SET1} = Ground$, $I_{SET2} = Open$ | 5.4 | 6 | 6.6 | mA _{RMS} |
| Full Bright Lamp Current (each output) | $I_{L(MAX)}$ | $V_{BRT_ADJ} \geq 2.0V_{DC}$, $SLEEP \geq 2.0V$, $V_{IN1} = 5V_{DC}$ $I_{SET1} = Open$, $I_{SET2} = Ground$ | 6.4 | 7 | 7.6 | mA _{RMS} |
| Full Bright Lamp Current (each output) | $I_{L(MAX)}$ | $V_{BRT_ADJ} \geq 2.0V_{DC}$, $SLEEP \geq 2.0V$, $V_{IN1} = 5V_{DC}$ $I_{SET1} = Open$, $I_{SET2} = Open$ | 7.4 | 8 | 8.6 | mA _{RMS} |
| Output Current Lamp to Lamp Deviation | $I_{LL\%DEV}$ | $V_{BRT_ADJ} \geq 2.0V_{DC}$, $SLEEP \geq 2.0V$, $V_{IN1} = 5V_{DC}$ $I_{SET1} = Open$, $I_{SET2} = Open$ | | 3 | 10 | % |
| Min. Average Lamp Current (each output) | $I_{L(MIN)}$ | $V_{BRT_ADJ} \leq 0.5V_{DC}$, $SLEEP \geq 2.0V$, $V_{IN1} = 5V_{DC}$ $I_{SET1} = I_{SET2} = Ground$ | | 0.30 | | mA _{RMS} |
| Lamp Start Voltage | V_{LS} | -20°C < T_A < 70°C, $V_{IN1} > 4.75V_{DC}$ | 1400 | 1650 | | V _{RMS} |
| Operating Frequency | f_O | $V_{BRT_ADJ} = 2.5V_{DC}$, $SLEEP \geq 2.0V$, $V_{IN1} = 5V$ | 66 | 70 | 73 | kHz |
| Burst Frequency | f_{BURST} | Output Burst Frequency | 257 | 273 | 286 | Hz |

ELECTRICAL CHARACTERISTICS (CONTINUED)

Unless otherwise specified, the following specifications apply over the recommended operating condition and ambient temperature of 25°C except where otherwise noted.

| Parameter | Symbol | Test Conditions | LXMG1623-05-6x | | | Units |
|-------------------------------------|----------------|--|----------------|------|-----------|--------------|
| | | | Min | Typ | Max | |
| BRITE INPUT | | | | | | |
| Input Current | I_{BRT} | $V_{BRT_ADJ} = 0V_{DC}$ | | -300 | | μA_{DC} |
| | | $V_{BRT_ADJ} = 3V_{DC}$ | | 50 | | μA_{DC} |
| Input Voltage for Max. Lamp Current | V_{BRT_ADJ} | $I_{O(LAMP)} = \text{Maximum Lamp Current}$ | | 2.0 | 2.05 | V_{DC} |
| Input Voltage for Min. Lamp Current | V_{BRT_ADJ} | $I_{O(LAMP)} = \text{Minimum Lamp Current}$ | 0.4 | 0.5 | | V_{DC} |
| SLEEP INPUT | | | | | | |
| RUN Mode | V_{SLEEP} | | 2.0 | | V_{IN1} | V_{DC} |
| SLEEP Mode | V_{SLEEP} | | -0.3 | | 0.8 | V_{DC} |
| SET_{1,2} INPUT | | | | | | |
| SET _{1,2} Low Threshold | V_L | | | | 0.4 | V |
| Input Current | I_{SET} | $V_{SET} \leq 0.4V$ | | -300 | | μA |
| POWER CHARACTERISTICS | | | | | | |
| Sleep Current | $I_{IN(MIN)}$ | $V_{IN1} = 5V_{DC}, \overline{SLEEP} \leq 0.8V$ | 0.0 | 4 | 30 | μA_{DC} |
| Run Current | $I_{IN(RUN)}$ | $V_{IN1} = 5V_{DC}, \overline{SLEEP} \geq 2.0V, I_{SET1} = \text{Open}$ $I_{SET2} = \text{Ground}, V_{LAMP} = 600V_{RMS}$ | | 2100 | | mA_{DC} |
| Efficiency | η | $V_{IN1} = 5V_{DC}, \overline{SLEEP} \geq 2.0V, I_{SET1} = \text{Open}$ $I_{SET2} = \text{Ground}, V_{LAMP} = 600V_{RMS}$ | | 80 | | % |

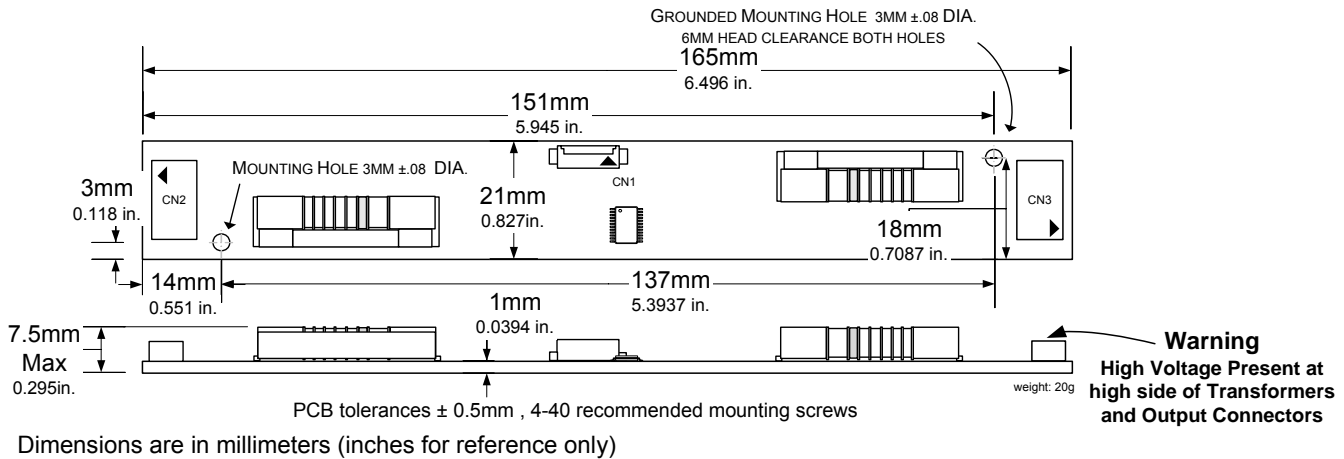
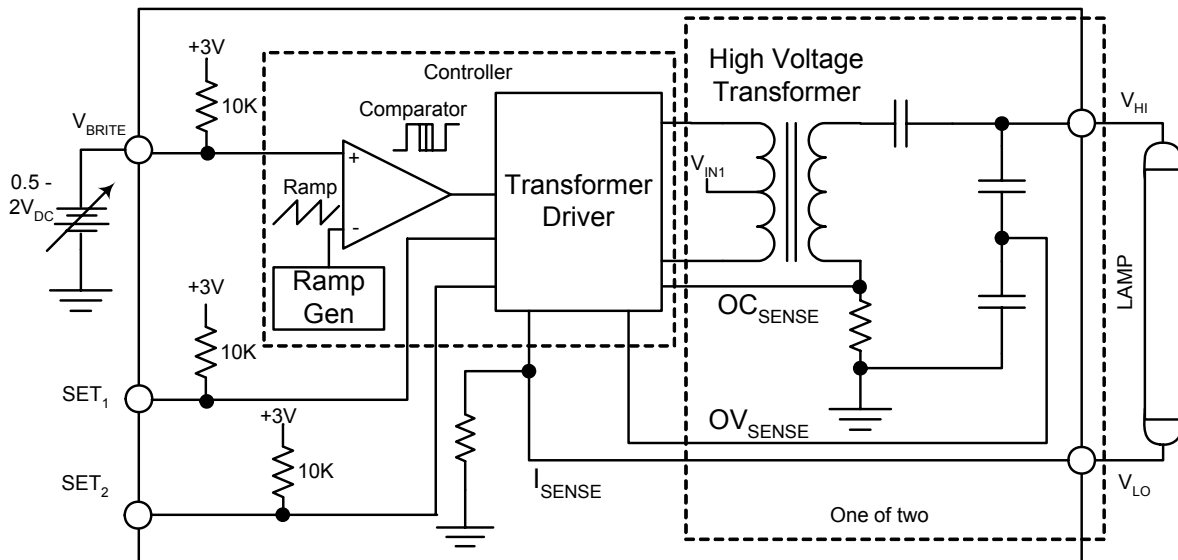
FUNCTIONAL PIN DESCRIPTION

| CONN | PIN | DESCRIPTION |
|---|--------------------|---|
| CN1 (Molex 53261-0871) Mates with 51021-0800 housing, 50079-8100 pins. Mates with LX9501G input cable assembly | | |
| CN1-1 | V_{IN1} | Main Input Power Supply ($4.75V \leq V_{IN1} \leq 5.25V$) |
| CN1-2 | | |
| CN1-3 | GND | Power Supply Return |
| CN1-4 | | |
| CN1-5 | \overline{SLEEP} | ON/OFF Control. ($0V < \overline{SLEEP} < 0.8 = \text{OFF}, \overline{SLEEP} \geq 2.0V = \text{ON}$) |
| CN1-6 | BRITE | Brightness Control ($0.5V$ to $2.0V_{DC}$). $2.0V_{DC}$ gives maximum lamp current. |
| CN1-7 | SET ₁ | SET ₁ MSB Connecting this pin to ground decreases the output current (see Table 1) |
| CN1-8 | SET ₂ | SET ₂ LSB Connecting this pin to ground decreases the output current (see Table 1) |
| CN2, CN3 for LXMG1623-05-61 and -62 (JST SM02(8.0)B-BHS-1-TB(LF)(SN), Yeon Ho 20015WR-05A00 or SM02B-BHSS-1-TB(LF)(SN), 35001WR-02A00) | | |
| CN2-1 CN3-1 | V_{HI} | High voltage connection to high Side of lamp. Connect to lamp terminal with shortest lead length. DO NOT connect to Ground. |
| CN2-2 CN3-2 | V_{LO} | Connection to low side of lamp. Connect to lamp terminal with longer lead length. DO NOT connect to Ground |

TABLE 1
OUTPUT CURRENT SETTINGS

| SET ₁ (Pin 7) | SET ₂ (Pin 8) | Nominal Output Current |
|-----------------------------|-----------------------------|------------------------|
| Open* | Open* | 8.0mA |
| Open* | Ground | 7.0mA |
| Ground | Open* | 6.0mA |
| Ground | Ground | 5.0mA |

* If driven by a logic signal it should be open collector or open drain only, not a voltage source.

PHYSICAL DIMENSIONS
LXMG1623-05-6X

SIMPLIFIED BLOCK DIAGRAM


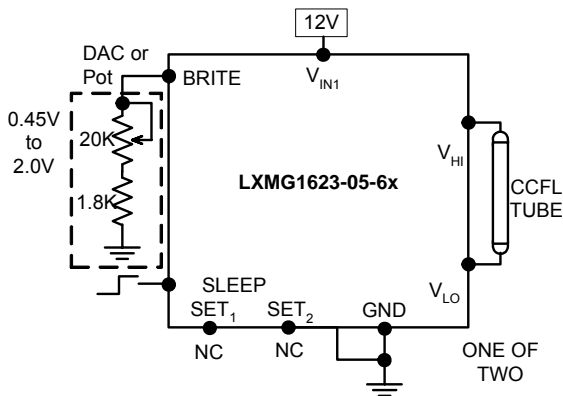
TYPICAL APPLICATION


Figure 1 – Brightness Control
(Output current set to maximum)

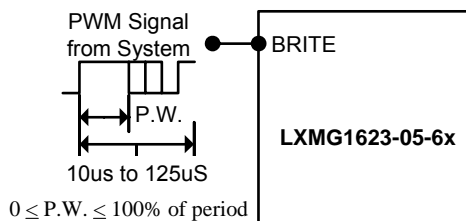


Figure 1A – PWM Brightness Control

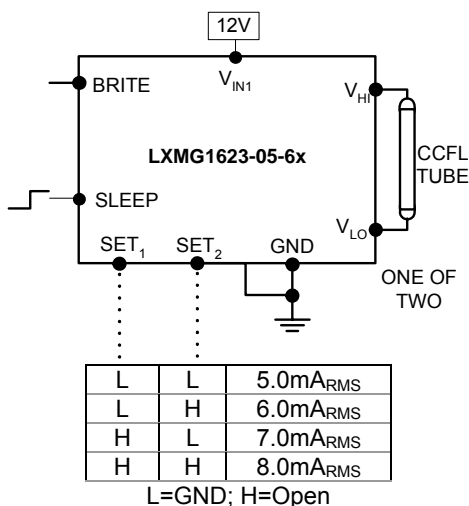


Figure 2 – Maximum Output Current
(SET₁ and SET₂ Inputs)

- The brightness control may be a voltage output DAC or other voltage source, a digital pot or 20K manual pot. The inverter contains an internal 10K pull-up to 3V to bias the pot, add a 1.8K resistor to set the lower threshold voltage. A 3.3V Logic Level PWM signal from a micro-controller may also be used as shown in Figure 1A.
- If you need to turn the inverter ON/OFF remotely, connect to TTL logic signal to the SLEEP input.
- Connect V_{HI} to high voltage wire from the lamp. Connect V_{LO} to the low voltage wire (wire with thinner insulation). Never connect V_{LO} to circuit ground as this will defeat lamp current regulation. If both lamp wires have heavy high voltage insulation, connect the longest wire to V_{LO}. This wire is typically white.
- Use the SET₁ and SET₂ (see Figure 2) inputs to select the desired maximum output current. Using these two pins in combination allows the inverter to match a wide variety of panels from different manufactures. Generally the best lamp lifetime correlates with driving the CCFL at the manufactures nominal current setting. However the SET₁ and SET₂ inputs allow the user the flexibility to adjust the current to the maximum allowable output current to increase panel brightness at the expense of some reduced lamp life.
- Although the SET pins are designed such that just leaving them open or grounding them is all that is needed to set the output current, they can also be actively set. Using an open collector or open drain logic signal will allow you to reduce the lamp current for situations where greater dim range is required, as an example in nighttime situations. In conjunction with a light sensor or other timer the panel could be set to higher brightness (maximum output current) for daytime illumination and lower brightness (minimum or typical output current) at nighttime. Since the dim ratio is a factor of both the burst duty cycle and the peak output current, using this technique the effective dim ratio can be increased greater than the burst duty cycle alone. Conversely the SET inputs could be used to overdrive the lamp temporarily to facilitate faster lamp warm up at initial lamp turn on. Of course any possible degradation on lamp life from such practices is the users responsibility since not all lamps are designed to be overdriven.
- The inverter has a built in fault timeout function. If the output is open (lamp disconnected or broken) or shorted the inverter will attempt to strike the lamp for several seconds. After about 2 to 4 seconds without success the inverter will shutdown. In order to restart the inverter it is necessary to toggle the sleep input or cycle the V_{IN1} input supply.



PanelMatch™

LXMG1623-05-6x

5V Dual 6W Programmable CCFL Inverter Module

PRODUCTION DATASHEET

NOTES

PRODUCTION DATA – Information contained in this document is proprietary to Microsemi and is current as of publication date. This document may not be modified in any way without the express written consent of Microsemi. Product processing does not necessarily include testing of all parameters. Microsemi reserves the right to change the configuration and performance of the product and to discontinue product at any time.