

# KTD-LM/8, /16, /32, and /64 Memory Upgrade Module Kits for Dell® Latitude LM Series

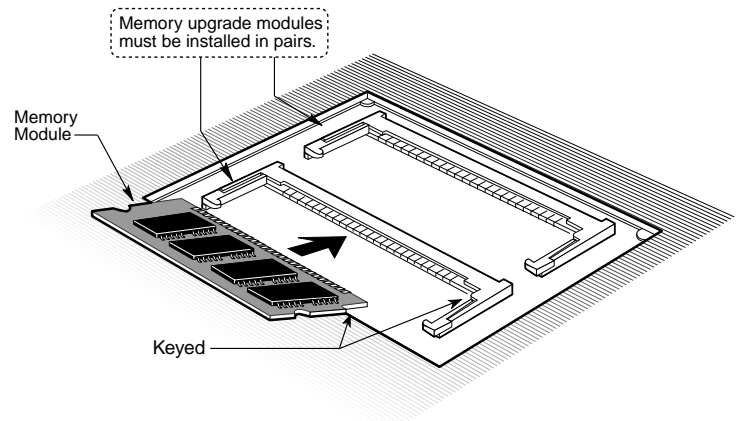


## Introduction:

Kingston Technology® manufactures four memory module kits for Dell® Latitude LM Series: KTD-LM/8 (8MB), KTD-LM/16 (16MB), KTD-LM/32 (32MB) and KTD-LM/64 (64MB). Each memory upgrade kit contains two modules (e.g., the KTD-LM/16 kit contains two 8MB modules). Modules must be installed in pairs.

## Installation Procedure:

1. Turn off the computer, disconnect the AC power adapter, and remove the rechargeable battery.
2. Fold down the display screen and carefully place the computer upside down on your work surface.
3. Your computer's memory expansion sockets are concealed behind a plastic cover. To access the memory expansion sockets, you must first remove the memory compartment cover.
4. Install your Kingston memory modules as shown in the illustration. Note how the module is keyed to the socket. Insert the module into the memory expansion socket at a slight angle. Once inserted, press the module down until it clicks into position. Install the second module following the same procedure.
5. Once both Kingston modules are installed, replace the plastic memory compartment cover.
6. Replace the computer's rechargeable battery pack; install the AC power adapter (if applicable); place the computer right-side up; and connect any external cables disconnected during the installation process.
7. Open the computer's display screen and turn on the power. The computer will automatically recognize the newly installed Kingston memory when it boots.



## Order Information:

<u>Kingston P/N</u>	<u>Dell® P/N</u>	<u>Description</u>
KTD-LM/8	N/A	8MB Memory Kit
KTD-LM/16	311-6357	16MB Memory Kit
KTD-LM/32	311-6358	32MB Memory kit
KTD-LM/64	311-6359	64MB Memory kit