

**ebm-papst St. Georgen GmbH & Co. KG**

Hermann-Papst-Straße 1

D-78112 St. Georgen

Phone +49 7724 81-0

Fax +49 7724 81-1309

info2@de.ebmpapst.com

www.ebmpapst.com

**Nominal data**

Type	AC 3200 JH	
Nominal voltage range	VAC	85 .. 265
Frequency	Hz	50/60
Speed	min <sup>-1</sup>	6800
Power input	W	11
Min. ambient temperature	°C	-20
Max. ambient temperature	°C	70
Air flow	m <sup>3</sup> /h	144
Sound power level	B	6.4
Sound pressure level	dB(A)	55

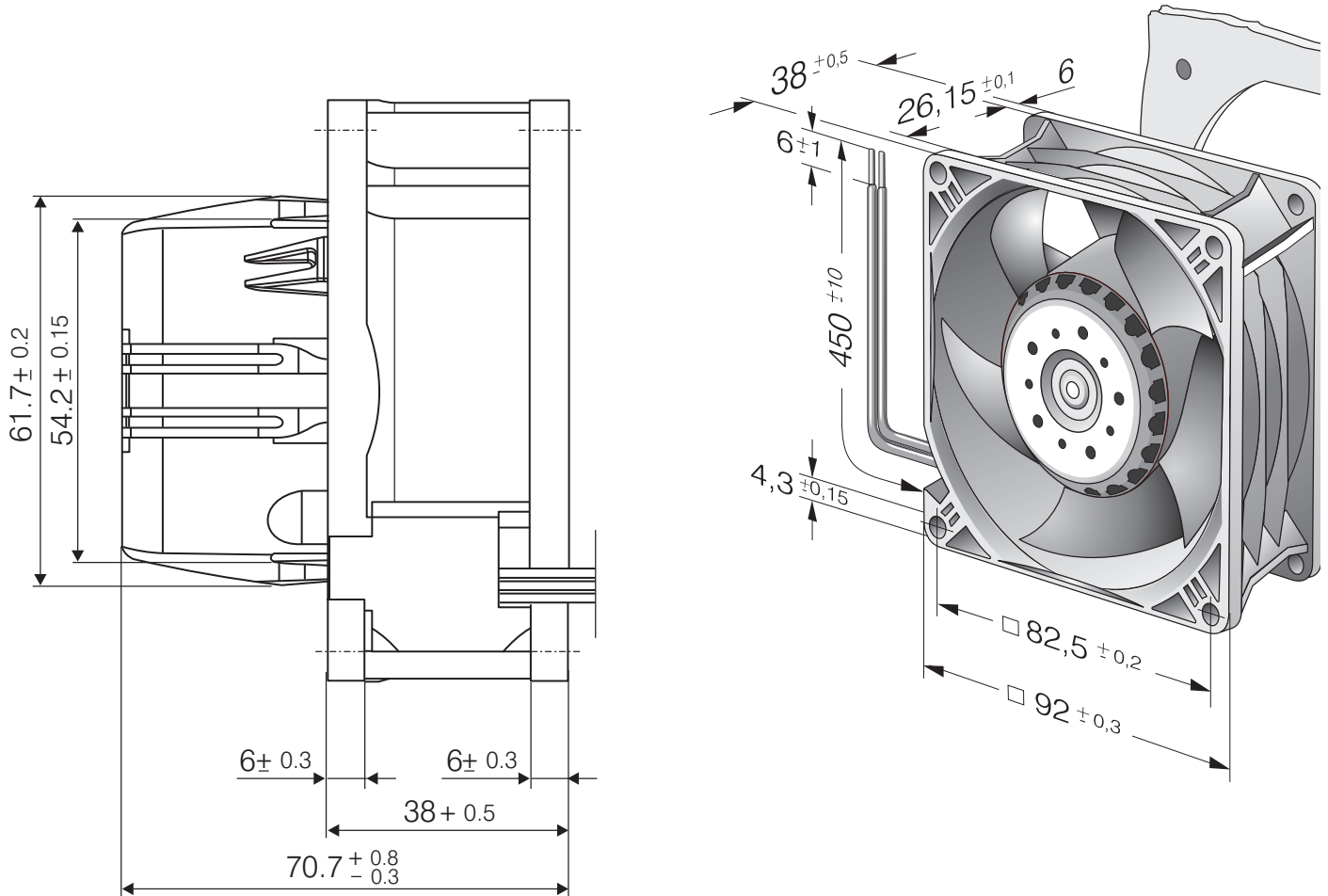
ml = max. load · me = max. efficiency · rfa = running at free air · cs = customer specs · cu = customer unit  
Subject to alterations



## Technical features

<b>General description</b>	<p>Particular design features:</p> <ul style="list-style-type: none"> <li>Can be used universally for all supply voltages between 85 and 265 VAC.</li> <li>Fan speed independent of the power frequency.</li> <li>Significantly reduced power consumption compared to conventional AC fans.</li> <li>Open loop speed control, sensor and alarm signal available on request.</li> <li>Rigid compression curve for high air flow at high counterpressure.</li> <li>Innovative impeller with winglets for low noise.</li> </ul> <p>General features:</p> <ul style="list-style-type: none"> <li>Material: fibreglass-reinforced plastic. Impeller made of PA, housing PBTP.</li> <li>Electronic commutation completely integrated. Protected against locking.</li> <li>Connection via single strands AWG 22, TR 64, bared and tin-plated.</li> <li>Air exhaust over bars. Rotational direction clockwise looking at rotor.</li> <li>Mass: 325 g.</li> </ul>
<b>Mass</b>	0.325 kg
<b>Dimensions</b>	92 x 92 x 38 mm
<b>Material of impeller</b>	Fiberglass-reinforced PA plastic
<b>Housing material</b>	Fiberglass-reinforced PBTP plastic
<b>Direction of air flow</b>	Air exhaust over bars
<b>Direction of rotation</b>	Right, looking at rotor
<b>Type of protection</b>	IP 20
<b>Bearing</b>	Ball bearings
<b>Lifetime L10 at 40 °C</b>	70000 h
<b>Lifetime L10 at maximum temperature</b>	35000 h
<b>Connection line</b>	Single strands AWG 22, TR 64, bared and tin-plated.
<b>Motor protection</b>	Protected against blocking.
<b>Approval</b>	VDE, CSA, UL, CCC, CE

Product drawing



## Charts: Air flow

