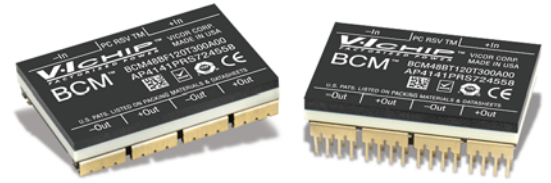


# BCM™ Bus Converter



## FEATURES

- 48 Vdc – 12 Vdc 300 W Bus Converter
- High efficiency (>96%) reduces system power consumption
- High power density (>1022 W/in<sup>3</sup>) reduces power system footprint by >40%
- Contains built-in protection features:
  - Undervoltage
  - Overvoltage Lockout
  - Overcurrent Protection
  - Short circuit Protection
  - Overtemperature Protection
- Provides enable/disable control, internal temperature monitoring
- Can be paralleled to create multi-kW arrays

## TYPICAL APPLICATIONS

- High End Computing Systems
- Automated Test Equipment
- High Density Power Supplies
- Communications Systems

## DESCRIPTION

The V•I Chip™ bus converter is a high efficiency (>96%) Sine Amplitude Converter™ (SAC™) operating from a 38 to 55 Vdc primary bus to deliver an isolated, unregulated 9.5 to 13.8 output. The Sine Amplitude Converter offers a low AC impedance beyond the bandwidth of most downstream regulators; therefore capacitance normally at the load can be located at the input to the Sine Amplitude Converter. Since the transformation ratio of the BCM48BF120T300A00 is 1/4, the capacitance value can be reduced by a factor of 16x, resulting in savings of board area, materials and total system cost.

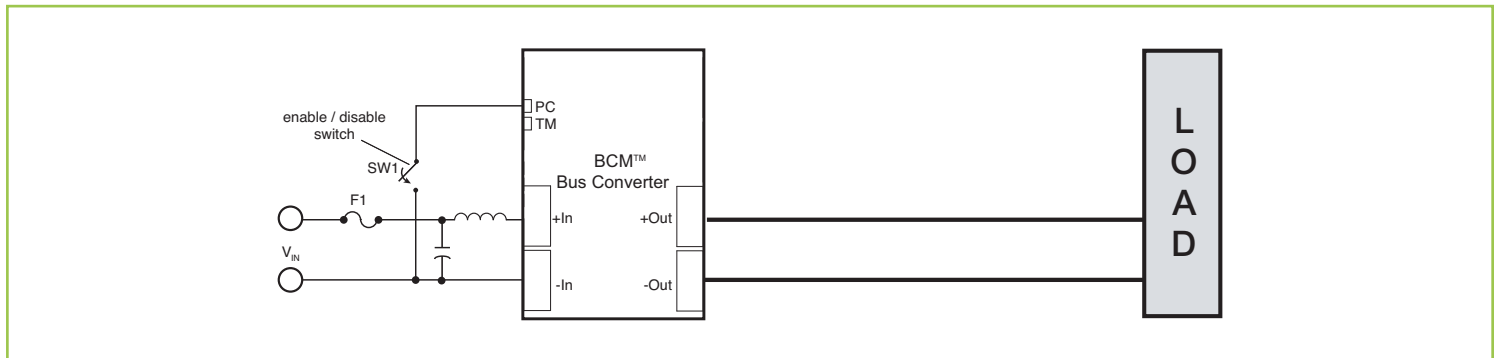
The BCM48BF120T300A00 is provided in a V•I Chip package compatible with standard pick-and-place and surface mount assembly processes. The co-molded V•I Chip package provides enhanced thermal management due to a large thermal interface area and superior thermal conductivity. The high conversion efficiency of the BCM48BF120T300A00 increases overall system efficiency and lowers operating costs compared to conventional approaches.

## PART NUMBERING

| PART NUMBER                         | PACKAGE STYLE    | PRODUCT GRADE     |
|-------------------------------------|------------------|-------------------|
| BCM48B <b>x</b> 120 <b>y</b> 300A00 | F = J-Lead       | T = -40° to 125°C |
|                                     | T = Through hole | M = -55° to 125°C |

For Storage and Operating Temperatures see Section 6.0 General Characteristics

## TYPICAL APPLICATION



**1.0 ABSOLUTE MAXIMUM VOLTAGE RATINGS**

The absolute maximum ratings below are stress ratings only. Operation at or beyond these maximum ratings can cause permanent damage to the device.

|   | MIN | MAX  | UNIT |                                   | MIN  | MAX | UNIT |
|---|-----|------|------|-----------------------------------|------|-----|------|
| +IN to -IN  | -1  | 60   | V    | Output current average            | -2   | 30  | A    |
| VIN slew rate (operational)                         | -1  | 1    | V/μs | PC to -IN                         | -0.3 | 20  | V    |
| Isolation voltage, input to output                  |     | 2250 | V    | TM to -IN                         | -0.3 | 7   | V    |
| +OUT to -OUT  | -1  | 16   | V    | Operating IC junction temperature | -40  | 125 | °C   |
| Output current transient<br>(< = 10 ms, < = 10% DC) | -3  | 37.5 | A    | Storage temperature               | -40  | 125 | °C   |

**2.0 ELECTRICAL CHARACTERISTICS**

Specifications apply over all line and load conditions unless otherwise noted; **Boldface** specifications apply over the temperature range of -40°C < T<sub>C</sub> < 100°C (T-Grade); All other specifications are at T<sub>C</sub> = 25°C unless otherwise noted.

| ATTRIBUTE                                | SYMBOL                | CONDITIONS / NOTES   | MIN         | TYP  | MAX         | UNIT |
|--|-----------------------|--|-------------|------|-------------|------|
| <b>POWERTRAIN</b>                        |                       |  |             |      |             |      |
| Input voltage range, continuous          | V <sub>IN_DC</sub>    |  | <b>38</b>   |      | <b>55</b>   | V    |
| Input voltage range, transient           | V <sub>IN_TRANS</sub> | Full current or power supported, 50 ms max, 10% duty cycle max                                 | <b>38</b>   |      | <b>55</b>   | V    |
| Quiescent current                        | I <sub>Q</sub>        | Disabled, PC Low   |             | 0.5  | <b>1.0</b>  | mA   |
| V <sub>IN</sub> to V <sub>OUT</sub> time | T <sub>ON1</sub>      | V <sub>IN</sub> = 48 V, PC floating  | 340         | 450  | 620         | ms   |
| No load power dissipation                | P <sub>NL</sub>       | V <sub>IN</sub> = 48 V, T <sub>C</sub> = 25°C  |             | 5.3  | 6.5         | W    |
|  |                       | V <sub>IN</sub> = 48 V   | <b>3</b>    |      | <b>15</b>   |      |
|  |                       | V <sub>IN</sub> = 38 V to 55 V, T <sub>C</sub> = 25°C  |             |      | 9           |      |
|  |                       | V <sub>IN</sub> = 38 V to 55 V   |             |      | <b>17</b>   |      |
| Inrush current peak                      | I <sub>INR_P</sub>    | Worse case of: V <sub>IN</sub> = 55 V, C <sub>OUT</sub> = 1000 μF, R <sub>LOAD</sub> = 391 mΩ  |             | 10   | <b>20</b>   | A    |
| DC input current                         | I <sub>IN_DC</sub>    | At P <sub>OUT</sub> = 300 W  |             |      | <b>8.8</b>  | A    |
| Transformation ratio                     | K                     | K = V <sub>OUT</sub> /V <sub>IN</sub> , at no load   |             | 1/4  |             | V/V  |
| Output power (average)                   | P <sub>OUT_AVG</sub>  |  |             |      | <b>300</b>  | W    |
| Output power (peak)                      | P <sub>OUT_PK</sub>   | 10 ms max, P <sub>OUT_AVG</sub> ≤ 300 W  |             |      | <b>350</b>  | W    |
| Output current (average)                 | I <sub>OUT_AVG</sub>  |  |             |      | <b>30</b>   | A    |
| Output current (peak)                    | I <sub>OUT_PK</sub>   | 10 ms max, I <sub>OUT_AVG</sub> ≤ 30 A   |             |      | <b>37.5</b> | A    |
| Efficiency (ambient)                     | η <sub>AMB</sub>      | V <sub>IN</sub> = 48 V, I <sub>OUT</sub> = 25 A; T <sub>C</sub> = 25°C                         | 95.0        | 96.0 |             | %    |
|  |                       | V <sub>IN</sub> = 38 V to 55 V, I <sub>OUT</sub> = 25 A; T <sub>C</sub> = 25°C                 | 93.5        |      |             |      |
|  |                       | V <sub>IN</sub> = 48 V, I <sub>OUT</sub> = 13 A; T <sub>C</sub> = 25°C                         | 94.5        | 95.5 |             |      |
| Efficiency (hot)                         | η <sub>HOT</sub>      | V <sub>IN</sub> = 48 V, I <sub>OUT</sub> = 25 A; T <sub>C</sub> = 100°C                        | 94.5        | 95.6 |             | %    |
| Efficiency (over load range)             | η <sub>20%</sub>      | 5 A < I <sub>OUT</sub> < 25 A  | <b>80</b>   |      |             | %    |
| Output resistance                        | R <sub>OUT_COLD</sub> | I <sub>OUT</sub> = 25 A, T <sub>C</sub> = -40°C  | 4.9         | 6.7  | 9.0         | mΩ   |
|  | R <sub>OUT_AMB</sub>  | I <sub>OUT</sub> = 25 A, T <sub>C</sub> = 25°C   | 6.3         | 9.0  | 13.4        | mΩ   |
|  | R <sub>OUT_HOT</sub>  | I <sub>OUT</sub> = 25 A, T <sub>C</sub> = 100°C  | 8.8         | 11.5 | 14.0        | mΩ   |
| Switching frequency                      | F <sub>SW</sub>       |  | <b>1.85</b> | 1.95 | <b>2.05</b> | MHz  |
| Output voltage ripple                    | V <sub>OUT_PP</sub>   | C <sub>OUT</sub> = 0 F, I <sub>OUT</sub> = 25 A, V <sub>IN</sub> = 48 V, 20 MHz BW, Section 10 |             | 150  | <b>285</b>  | mV   |
| Output inductance (parasitic)            | L <sub>OUT_PAR</sub>  | Frequency up to 30 MHz, Simulated J-lead model   |             | 600  |             | pH   |
| Output capacitance (internal)            | C <sub>OUT_INT</sub>  | Effective value at 12 V <sub>OUT</sub>   |             | 47   |             | μF   |
| Output capacitance (external)            | C <sub>OUT_EXT</sub>  |  | <b>0</b>    |      | <b>1000</b> | μF   |

2.0 ELECTRICAL CHARACTERISTICS (CONT.)

| ATTRIBUTE                                 | SYMBOL               | CONDITIONS / NOTES           | MIN         | TYP  | MAX         | UNIT         |
|---|----------------------|------------------------------|-------------|------|-------------|--------------|
| <b>PROTECTION</b>                         |                      |                              |             |      |             |              |
| Input overvoltage lockout threshold       | $V_{IN\_OVLO+}$      |                              | <b>55.1</b> | 58.5 | <b>60.0</b> | V            |
| Input overvoltage recovery threshold      | $V_{IN\_OVLO-}$      |                              | <b>55.1</b> | 58.0 | <b>60.0</b> | V            |
| Input overvoltage lockout hysteresis      | $V_{IN\_OVLO\_HYST}$ |                              |             | 1.2  |             | V            |
| Overvoltage lockout response time         | $T_{OVLO}$           |                              |             | 8    |             | $\mu$ s      |
| Fault recovery time                       | $T_{AUTO\_RESTART}$  |                              | <b>240</b>  | 300  | <b>380</b>  | ms           |
| Input undervoltage lockout threshold      | $V_{IN\_UVLO-}$      |                              | <b>28.5</b> | 31.1 | <b>37.4</b> | V            |
| Input undervoltage recovery threshold     | $V_{IN\_UVLO+}$      |                              | <b>28.5</b> | 33.7 | <b>37.4</b> | V            |
| Input undervoltage lockout hysteresis     | $V_{IN\_UVLO\_HYST}$ |                              |             | 1.6  |             | V            |
| Undervoltage lockout response time        | $T_{UVLO}$           |                              |             | 8    |             | $\mu$ s      |
| Output overcurrent trip threshold         | $I_{OCP}$            |                              | <b>30</b>   | 39   | <b>55</b>   | A            |
| Output overcurrent response time constant | $T_{OCP}$            | Effective internal RC filter |             | 5.3  |             | ms           |
| Short circuit protection trip threshold   | $I_{SCP}$            |                              | <b>30</b>   |      |             | A            |
| Short circuit protection response time    | $T_{SCP}$            |                              |             | 1    |             | $\mu$ s      |
| Thermal shutdown threshold                | $T_{J\_OTP}$         |                              | <b>125</b>  |      |             | $^{\circ}$ C |

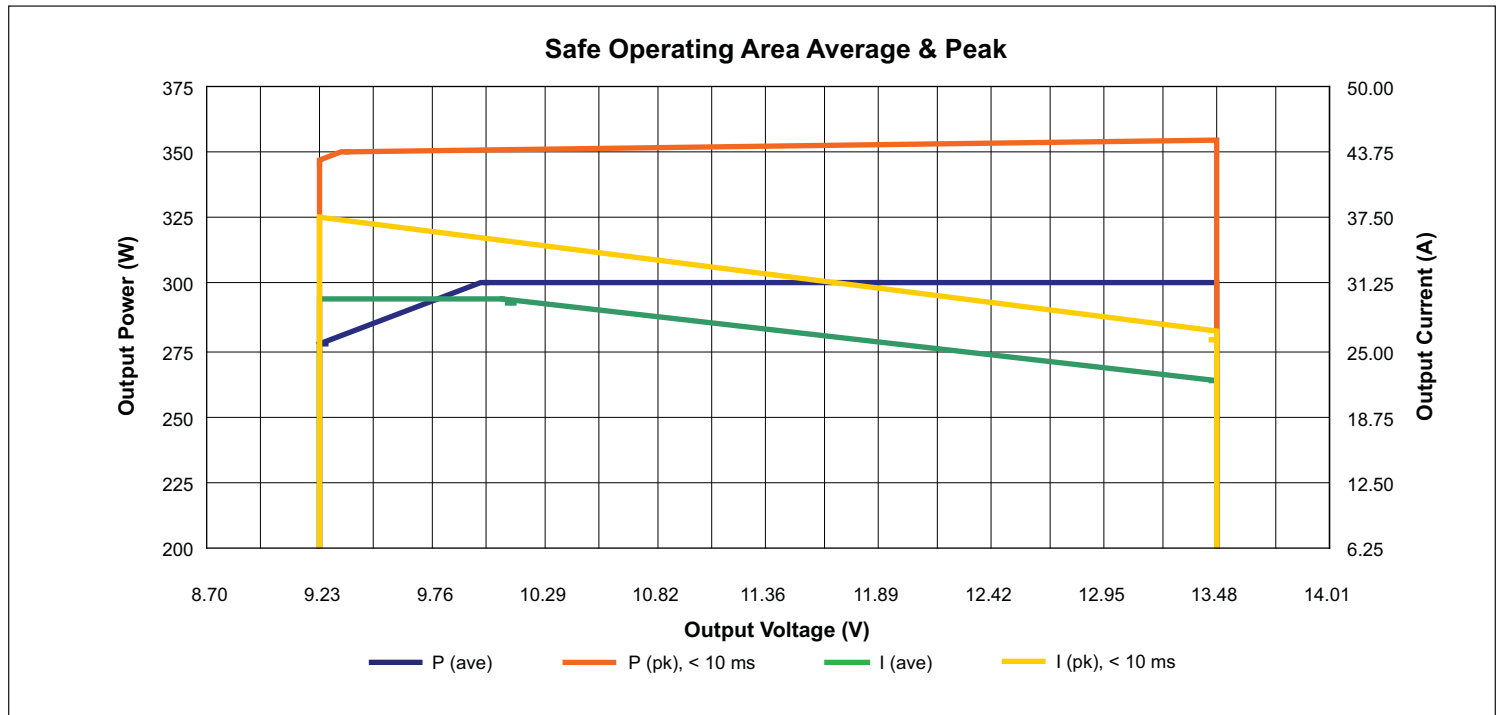


Figure 1 — Safe operating area

**3.0 SIGNAL CHARACTERISTICS**

Specifications apply over all line and load conditions unless otherwise noted; **Boldface** specifications apply over the temperature range of  $-40^{\circ}\text{C} < T_c < 100^{\circ}\text{C}$  (T-Grade); All other specifications are at  $T_c = 25^{\circ}\text{C}$  unless otherwise noted.

**PRIMARY CONTROL : PC**

- The PC pin enables and disables the BCM. When held low, the BCM is disabled.
- In an array of BCM modules, PC pins should be interconnected to synchronize start up and permit start up into full load conditions.
- PC pin outputs 5 V during normal operation. PC pin internal bias level drops to 2.5 V during fault mode, provided  $V_{IN}$  remains in the valid range.

| SIGNAL TYPE           | STATE                  | ATTRIBUTE                   | SYMBOL                      | CONDITIONS / NOTES                               | MIN        | TYP | MAX           | UNIT          |
|-----------------------|------------------------|-----------------------------|-----------------------------|--|------------|-----|---------------|---------------|
| ANALOG OUTPUT         | Regular Operation      | PC voltage                  | $V_{PC}$                    |  | <b>4.7</b> | 5.0 | <b>5.3</b>    | V             |
|                       |                        | PC available current        | $I_{PC\_OP}$                |  | <b>2.0</b> | 3.5 | <b>5.0</b>    | mA            |
|                       | Standby                | PC source (current)         | $I_{PC\_EN}$                |  | <b>50</b>  | 100 |               | $\mu\text{A}$ |
|                       |                        | PC resistance (internal)    | $R_{PC\_INT}$               | Internal pull down resistor                      | <b>50</b>  | 150 | <b>400</b>    | k $\Omega$    |
|                       | Transition             | PC capacitance (internal)   | $C_{PC\_INT}$               | Section 7  |            |     | <b>1000</b>   | pF            |
| Start Up              | PC load resistance     | $R_{PC\_S}$                 | To permit regular operation | <b>60</b>  |            |     | k $\Omega$    |               |
| DIGITAL INPUT / OUPUT | Start Up               | PC time to start            | $T_{ON1}$                   |  | <b>340</b> | 450 | <b>620</b>    | ms            |
|                       | Regular Operation      | PC enable threshold         | $V_{PC\_EN}$                |  | <b>2.0</b> | 2.5 | <b>3.0</b>    | V             |
|                       |                        | PC disable duration         | $T_{PC\_DIS\_T}$            | Minimum time before attempting re-enable         | <b>1</b>   |     |               | s             |
|                       | Transition             | PC threshold hysteresis     | $V_{PC\_HYSTER}$            |  |            | 50  |               | mV            |
|                       |                        | PC enable to $V_{OUT}$ time | $T_{ON2}$                   | $V_{IN} = 48\text{ V}$ for at least $T_{ON1}$ ms | 50         | 100 | 150           | $\mu\text{s}$ |
|                       |                        | PC disable to standby time  | $T_{PC\_DIS}$               |  |            | 4   | <b>10</b>     | $\mu\text{s}$ |
|                       | PC fault response time | $T_{FR\_PC}$                | From fault to PC = 2 V      |  | 100        |     | $\mu\text{s}$ |               |

**TEMPERATURE MONITOR : TM**

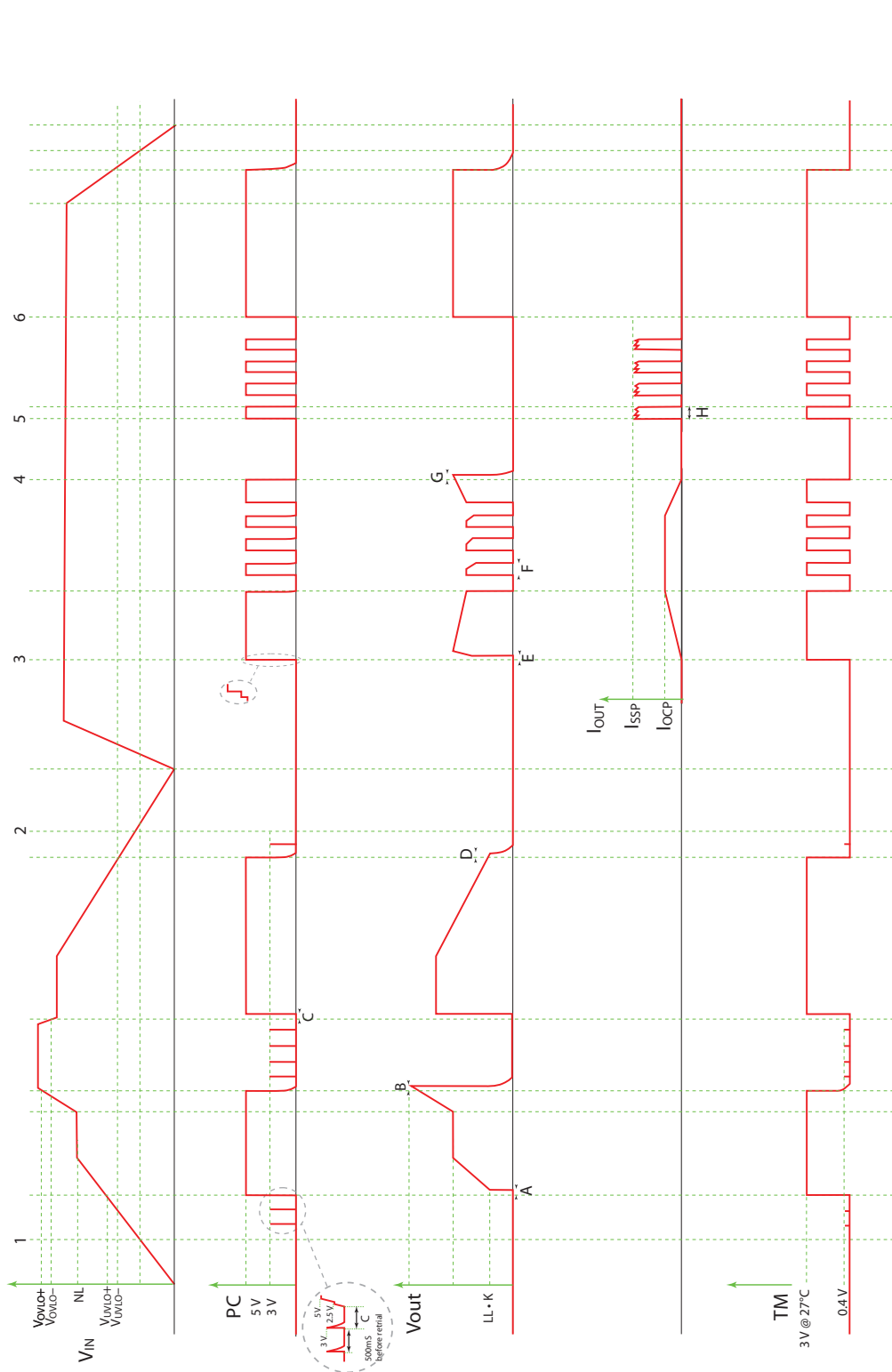
- The TM pin monitors the internal temperature of the controller IC within an accuracy of  $\pm 5^{\circ}\text{C}$ .
- Can be used as a "Power Good" flag to verify that the BCM module is operating.
- Is used to drive the internal comparator for Overtemperature Shutdown.

| SIGNAL TYPE                 | STATE             | ATTRIBUTE                 | SYMBOL        | CONDITIONS / NOTES  | MIN         | TYP  | MAX         | UNIT                   |
|-----------------------------|-------------------|---------------------------|---------------|---|-------------|------|-------------|------------------------|
| ANALOG OUTPUT               | Regular Operation | TM voltage range          | $V_{TM}$      |   | <b>2.12</b> |      | <b>4.04</b> | V                      |
|                             |                   | TM voltage reference      | $V_{TM\_AMB}$ | $T_J$ controller = $27^{\circ}\text{C}$                                   | 2.95        | 3.00 | 3.05        | V                      |
|                             |                   | TM available current      | $I_{TM}$      |   | <b>100</b>  |      |             | $\mu\text{A}$          |
|                             |                   | TM gain                   | $A_{TM}$      |   |             | 10   |             | mV/ $^{\circ}\text{C}$ |
|                             |                   | TM voltage ripple         | $V_{TM\_PP}$  | $C_{TM} = 0\text{ pF}$ , $V_{IN} = 48\text{ V}$ , $I_{OUT} = 25\text{ A}$ |             |      | 120         | <b>200</b>             |
| DIGITAL OUTPUT (FAULT FLAG) | Transition        | TM capacitance (external) | $C_{TM\_EXT}$ |   |             |      | <b>50</b>   | pF                     |
|                             |                   | TM fault response time    | $T_{FR\_TM}$  | From fault to TM = 1.5 V  |             | 10   |             | $\mu\text{s}$          |
|                             | Standby           | TM voltage                | $V_{TM\_DIS}$ |   |             | 0    |             | V                      |
|                             |                   | TM pull down (internal)   | $R_{TM\_INT}$ | Internal pull down resistor   | <b>25</b>   | 40   | <b>50</b>   | k $\Omega$             |

**RESERVED : RSV**

Reserved for factory use. No connection should be made to this pin.

4.0 TIMING DIAGRAM



Notes:  
 - Timing and signal amplitudes are not to scale  
 - Error pulse width is load dependent

1: Controller start  
 2: Controller turn off  
 3: PC release  
 4: PC pulled low  
 5: PC released on output SC  
 6: SC removed

A: T<sub>ON1</sub>  
 B: T<sub>OVLO\*</sub>  
 C: T<sub>AUTO\_RESTART</sub>  
 D: T<sub>UVLO</sub>  
 E: T<sub>ON2</sub>  
 F: T<sub>OCP</sub>  
 G: T<sub>PC-DIS</sub>  
 H: T<sub>SCP\*\*</sub>

\*Min value switching off  
 \*\*From detection of error to power train shutdown

5.0 APPLICATION CHARACTERISTICS

The following values, typical of an application environment, are collected at  $T_C = 25^\circ\text{C}$  unless otherwise noted. See associated figures for general trend data.

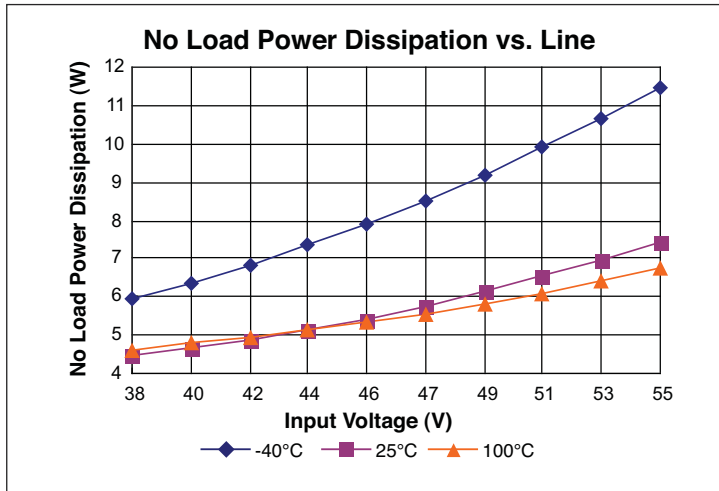


Figure 2 — No load power dissipation vs.  $V_{IN}$

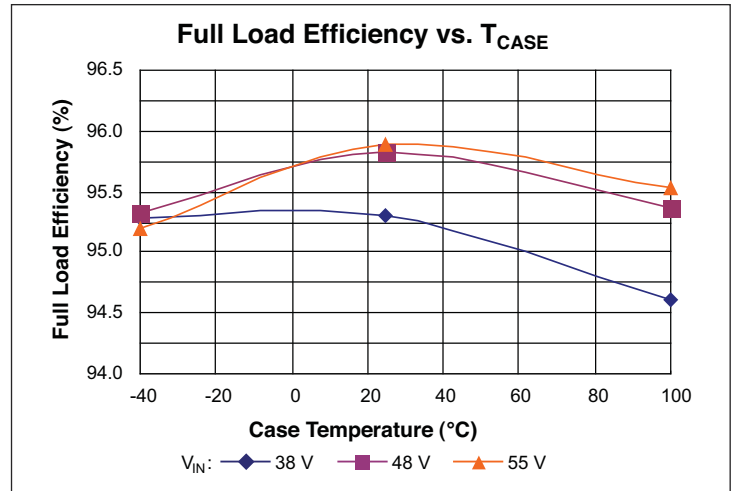


Figure 3 — Full load efficiency vs. temperature;  $V_{IN}$

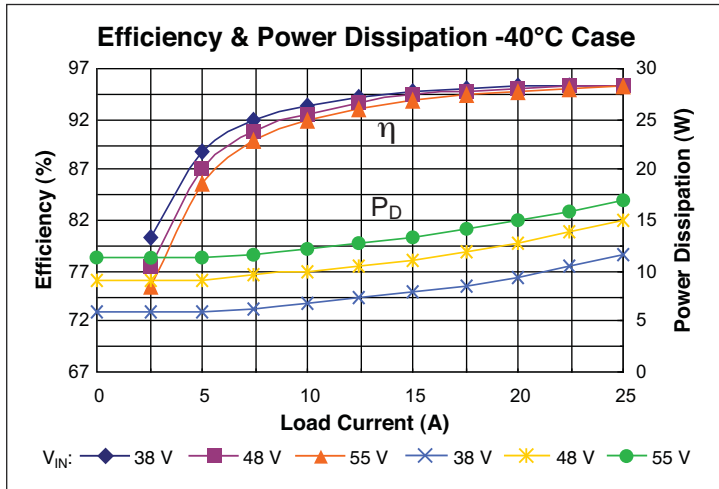


Figure 4 — Efficiency and power dissipation at  $T_C = -40^\circ\text{C}$

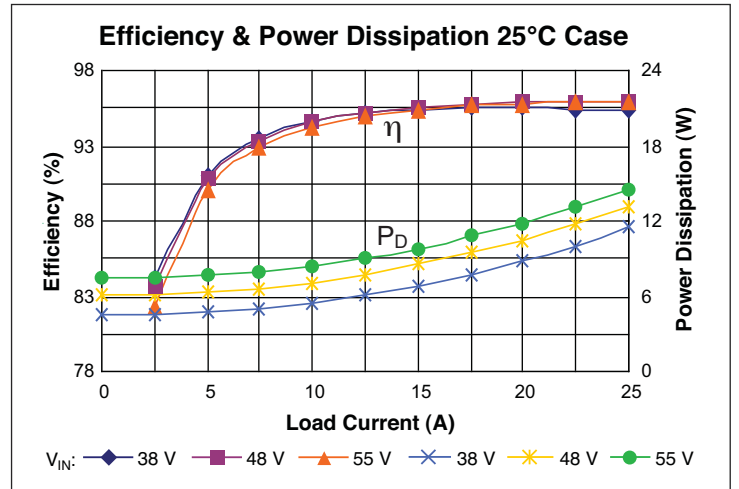


Figure 5 — Efficiency and power dissipation at  $T_C = 25^\circ\text{C}$

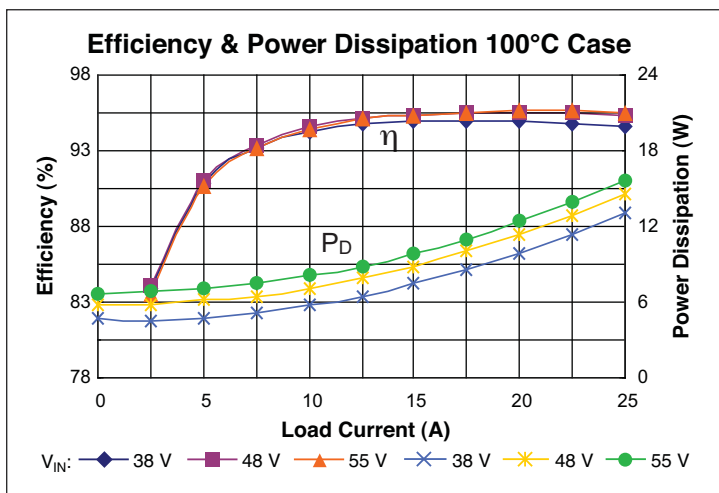


Figure 6 — Efficiency and power dissipation at  $T_C = 100^\circ\text{C}$

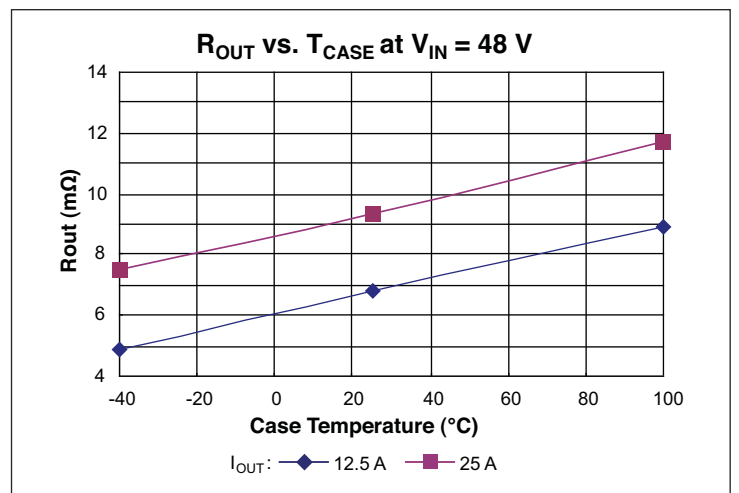


Figure 7 —  $R_{OUT}$  vs. temperature

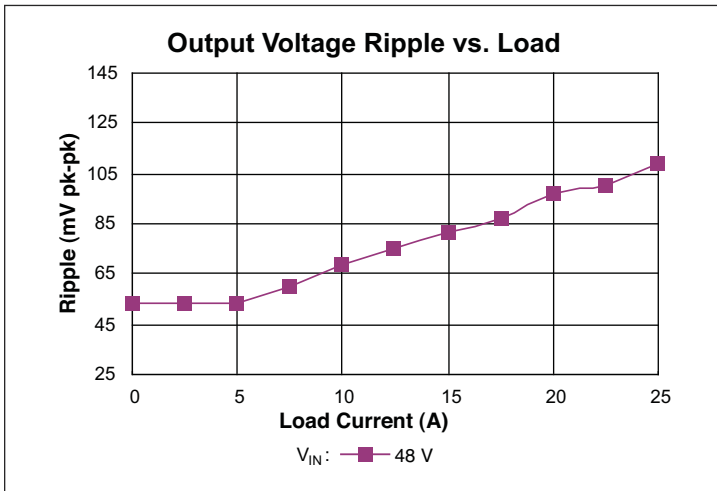


Figure 8 —  $V_{RIPPLE}$  vs.  $I_{OUT}$ ; No external  $C_{OUT}$ . Board mounted module, scope setting : 20 MHz analog BW

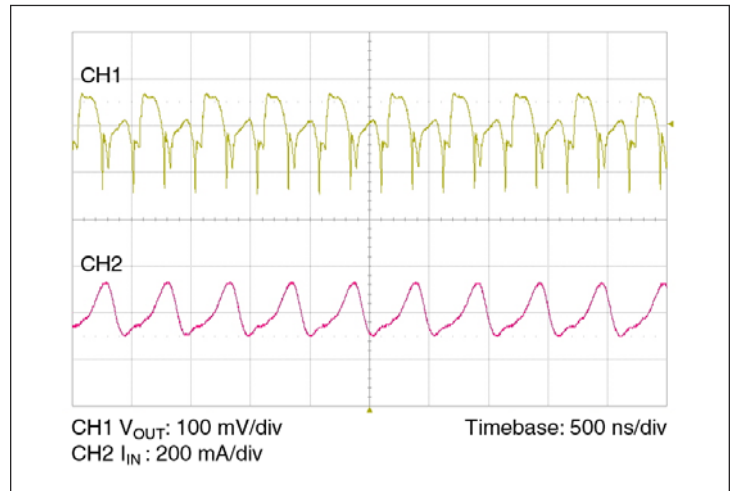


Figure 9 — Full load ripple,  $330 \mu F C_{IN}$ ; No external  $C_{OUT}$ . Board mounted module, scope setting : 20 MHz analog BW

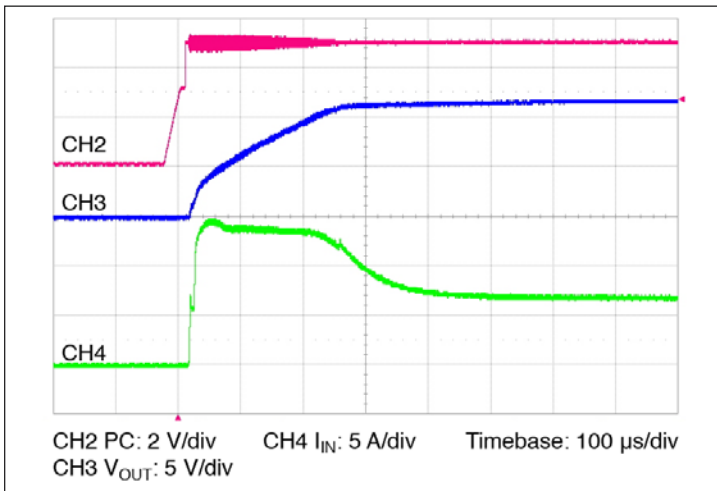


Figure 10 — Start up from application of PC;  $V_{IN}$  pre-applied  $C_{OUT} = 1000 \mu F$

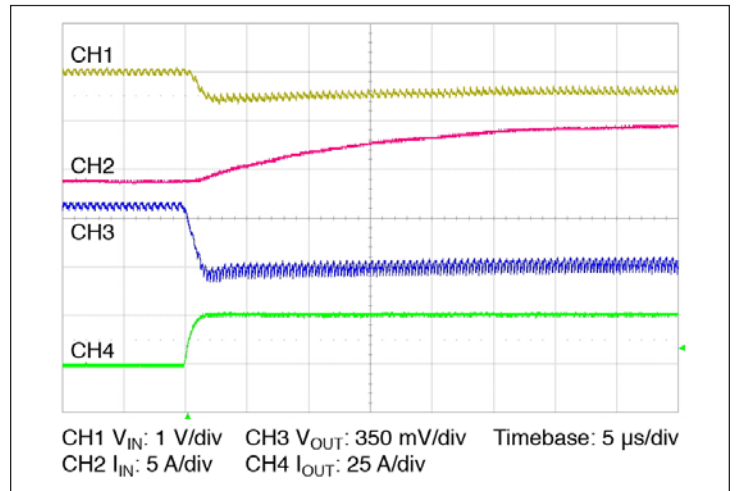


Figure 11 — 0 A–25 A transient response:  $C_{IN} = 330 \mu F$ ,  $I_{IN}$  measured prior to  $C_{IN}$ , no external  $C_{OUT}$

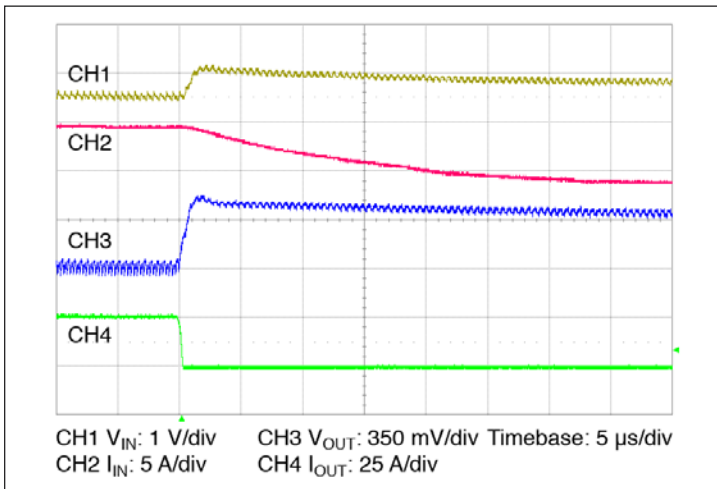


Figure 12 — 25 A–0 A transient response:  $C_{IN} = 330 \mu F$ ,  $I_{IN}$  measured prior to  $C_{IN}$ , no external  $C_{OUT}$

**6.0 GENERAL CHARACTERISTICS**

Specifications apply over all line and load conditions unless otherwise noted; **Boldface** specifications apply over the temperature range of  $-40^{\circ}\text{C} < T_J < 100^{\circ}\text{C}$  (T-Grade); All other specifications are at  $T_J = 25^{\circ}\text{C}$  unless otherwise noted.

| ATTRIBUTE                                       | SYMBOL              | CONDITIONS / NOTES  | MIN             | TYP             | MAX             | UNIT                                |
|---|---------------------|---|-----------------|-----------------|-----------------|-------------------------------------|
| <b>MECHANICAL</b>                               |                     |   |                 |                 |                 |                                     |
| Length  | L                   |   | 32.25 / [1.270] | 32.50 / [1.280] | 32.75 / [1.289] | mm/[in]                             |
| Width   | W                   |   | 21.75 / [0.856] | 22.00 / [0.866] | 22.25 / [0.876] | mm/[in]                             |
| Height  | H                   |   | 6.48 / [0.255]  | 6.73 / [0.265]  | 6.98 / [0.275]  | mm/[in]                             |
| Volume  | Vol                 | No heat sink  |                 | 4.81 / [0.294]  |                 | cm <sup>3</sup> /[in <sup>3</sup> ] |
| Weight  | W                   |   |                 | 14.5 / [0.512]  |                 | g/[oz]                              |
| Lead finish                                     |                     | Nickel  | 0.51            |                 | 2.03            | μm                                  |
|   |                     | Palladium   | 0.02            |                 | 0.15            |                                     |
|   |                     | Gold  | 0.003           |                 | 0.051           |                                     |
| <b>THERMAL</b>                                  |                     |   |                 |                 |                 |                                     |
| Operating temperature                           | T <sub>J</sub>      | BCM48BF120T300A00 (T-Grade)   | -40             |                 | 125             | °C                                  |
|   |                     | BCM48BF120M300A00 (M-Grade)   | -55             |                 | 125             | °C                                  |
| Thermal resistance                              | ϕ <sub>JC</sub>     | Isothermal heatsink and isothermal internal PCB   |                 | 1               |                 | °C/W                                |
| Thermal capacity                                |                     |   |                 | 5               |                 | Ws/°C                               |
| <b>ASSEMBLY</b>                                 |                     |   |                 |                 |                 |                                     |
| Peak compressive force applied to case (Z-axis) |                     | Supported by J-lead only  |                 |                 | 6               | lbs                                 |
|   |                     |   |                 |                 | 5.41            | lbs / in <sup>2</sup>               |
| Storage temperature                             | T <sub>ST</sub>     | BCM48BF120T300A00 (T-Grade)   | -40             |                 | 125             | °C                                  |
|   |                     | BCM48BF120M300A00 (M-Grade)   | -65             |                 | 125             | °C                                  |
| Moisture sensitivity level                      | MSL                 | MSL 4   |                 |                 |                 |                                     |
| ESD withstand                                   | ESD <sub>HBM</sub>  | Human Body Model, "JEDEC JESD 22-A114D.01" Class 1D                                       | 1000            |                 |                 | V                                   |
|   | ESD <sub>CDM</sub>  | Charge Device Model, "JEDEC JESD 22-C101-D"   | 400             |                 |                 |                                     |
| <b>SOLDERING</b>                                |                     |   |                 |                 |                 |                                     |
| Peak temperature during reflow                  |                     | MSL 4   |                 |                 | 245             | °C                                  |
|   |                     |   |                 |                 |                 | °C                                  |
| Peak time above 217°C                           |                     |   |                 | 60              | 90              | s                                   |
| Peak heating rate during reflow                 |                     |   |                 | 1.5             | 3               | °C/s                                |
| Peak cooling rate post reflow                   |                     |   |                 | 1.5             | 6               | °C/s                                |
| <b>SAFETY</b>                                   |                     |   |                 |                 |                 |                                     |
| Working voltage (IN – OUT)                      | V <sub>IN_OUT</sub> |   |                 |                 | <b>60</b>       | Vdc                                 |
| Isolation voltage (hipot)                       | V <sub>HIPOT</sub>  |   | <b>2,250</b>    |                 |                 | Vdc                                 |
| Isolation capacitance                           | C <sub>IN_OUT</sub> | Unpowered unit  | <b>2500</b>     | <b>3200</b>     | <b>3800</b>     | pF                                  |
| Isolation resistance                            | R <sub>IN_OUT</sub> | At 500 Vdc  | <b>10</b>       |                 |                 | MΩ                                  |
| MTBF  |                     | MIL-HDBK-217Plus Parts Count - 25°C Ground Benign, Stationary, Indoors / Computer Profile |                 | 6.03            |                 | MHrs                                |
|   |                     | Telcordia Issue 2 - Method I Case III; 25°C Ground Benign, Controlled                     |                 | 7.94            |                 | MHrs                                |
| Agency approvals / standards                    |                     | cTUVus  |                 |                 |                 |                                     |
|   |                     | cURus   |                 |                 |                 |                                     |
|   |                     | CE Mark   |                 |                 |                 |                                     |
|   |                     | RoHS 6 of 6   |                 |                 |                 |                                     |



## 7.0 USING THE CONTROL SIGNALS PC, TM

**Primary Control (PC)** pin can be used to accomplish the following functions:

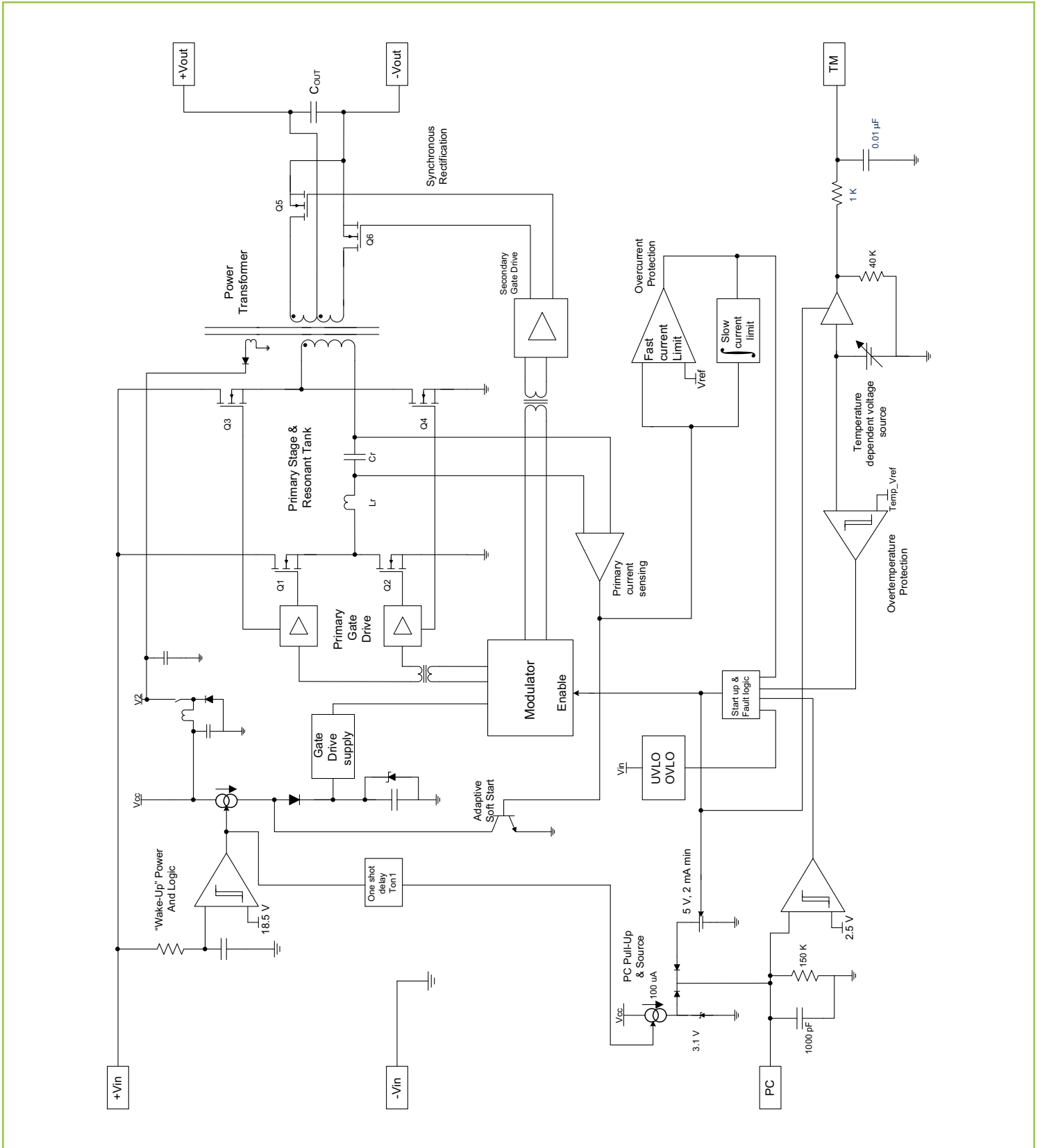
- Logic enable and disable for module: Once  $T_{ON1}$  time has been satisfied, a PC voltage greater than  $V_{pc\_en}$  will cause the module to start. Bringing PC lower than  $V_{pc\_dis}$  will cause the module to enter standby.
- Auxiliary voltage source: Once enabled in regular operational conditions (no fault), each BCM module PC provides a regulated 5 V, 3.5 mA voltage source.
- Synchronized start up: In an array of parallel modules, PC pins should be connected to synchronize start up across units. This permits the maximum load and capacitance to scale by the number of paralleled modules.
- Output disable: PC pin can be actively pulled down in order to disable the module. Pull down impedance shall be lower than  $60 \Omega$ .
- Fault detection flag: The PC 5 V voltage source is internally turned off as soon as a fault is detected.
- Note that PC can not sink significant current during a fault condition. The PC pin of a faulted module will not cause interconnected PC pins of other modules to be disabled.

**Temperature Monitor (TM)** pin provides a voltage proportional to the absolute temperature of the converter control IC.

It can be used to accomplish the following functions:

- Monitor the control IC temperature: The temperature in Kelvin is equal to the voltage on the TM pin scaled by 100. (i.e.  $3.0 \text{ V} = 300 \text{ K} = 27^\circ\text{C}$ ). If a heat sink is applied, TM can be used to protect the system thermally.
- Fault detection flag: The TM voltage source is internally turned off as soon as a fault is detected. For system monitoring purposes microcontroller interface faults are detected on falling edges of TM signal.

8.0 BCM48BF120T300A00 BLOCK DIAGRAM



9.0 SINE AMPLITUDE CONVERTER™ POINT OF LOAD CONVERSION

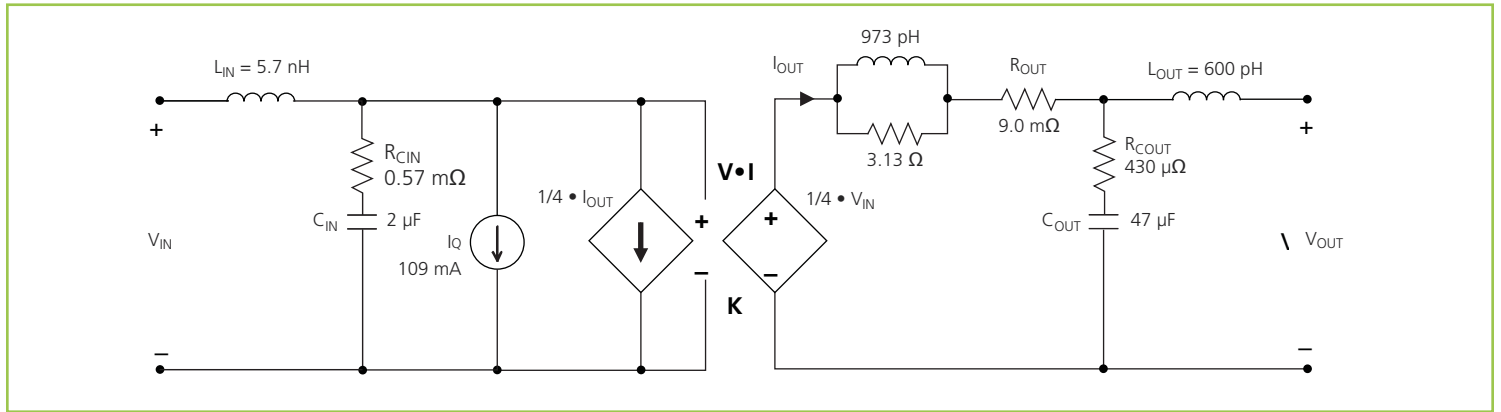


Figure 13 — V•I Chip™ module AC model

The Sine Amplitude Converter (SAC™) uses a high frequency resonant tank to move energy from input to output. (The resonant tank is formed by Cr and leakage inductance Lr in the power transformer windings as shown in the BCM™ module Block Diagram. See Section 8). The resonant LC tank, operated at high frequency, is amplitude modulated as a function of input voltage and output current. A small amount of capacitance embedded in the input and output stages of the module is sufficient for full functionality and is key to achieving power density.

The BCM48BF120T300A00 SAC can be simplified into the preceding model.

At no load:

$$V_{OUT} = V_{IN} \cdot K \tag{1}$$

K represents the “turns ratio” of the SAC.

Rearranging Eq (1):

$$K = \frac{V_{OUT}}{V_{IN}} \tag{2}$$

In the presence of load, V<sub>OUT</sub> is represented by:

$$V_{OUT} = V_{IN} \cdot K - I_{OUT} \cdot R_{OUT} \tag{3}$$

and I<sub>OUT</sub> is represented by:

$$I_{OUT} = \frac{I_{IN} - I_Q}{K} \tag{4}$$

R<sub>OUT</sub> represents the impedance of the SAC, and is a function of the R<sub>DS(ON)</sub> of the input and output MOSFETs and the winding resistance of the power transformer. I<sub>Q</sub> represents the quiescent current of the SAC control, gate drive circuitry, and core losses.

The use of DC voltage transformation provides additional interesting attributes. Assuming that R<sub>OUT</sub> = 0 Ω and I<sub>Q</sub> = 0 A, Eq. (3) now becomes Eq. (1) and is essentially load independent, resistor R is now placed in series with V<sub>IN</sub>.

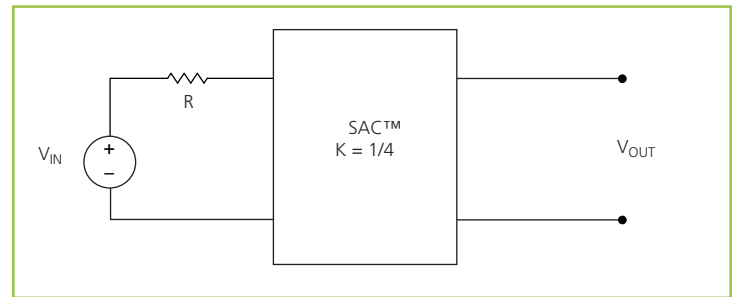


Figure 14 — K = 1/4 Sine Amplitude Converter™ with series input resistor

The relationship between V<sub>IN</sub> and V<sub>OUT</sub> becomes:

$$V_{OUT} = (V_{IN} - I_{IN} \cdot R) \cdot K \tag{5}$$

Substituting the simplified version of Eq. (4) (I<sub>Q</sub> is assumed = 0 A) into Eq. (5) yields:

$$V_{OUT} = V_{IN} \cdot K - I_{OUT} \cdot R \cdot K^2 \tag{6}$$

This is similar in form to Eq. (3), where  $R_{OUT}$  is used to represent the characteristic impedance of the SAC™. However, in this case a real R on the input side of the SAC is effectively scaled by  $K^2$  with respect to the output.

Assuming that  $R = 1 \Omega$ , the effective R as seen from the secondary side is  $62.5 \text{ m}\Omega$ , with  $K = 1/4$ .

A similar exercise should be performed with the addition of a capacitor or shunt impedance at the input to the SAC. A switch in series with  $V_{IN}$  is added to the circuit. This is depicted in Figure 15.

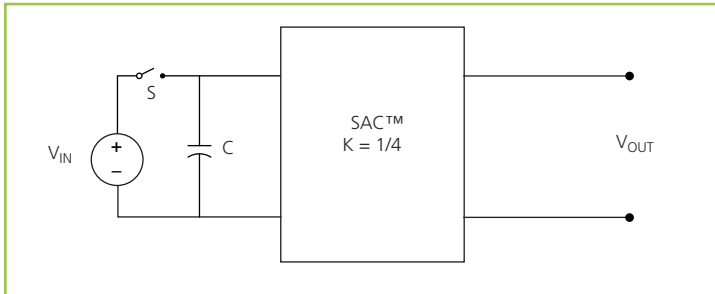


Figure 15 — Sine Amplitude Converter™ with input capacitor

A change in  $V_{IN}$  with the switch closed would result in a change in capacitor current according to the following equation:

$$I_C(t) = C \frac{dV_{IN}}{dt} \tag{7}$$

Assume that with the capacitor charged to  $V_{IN}$ , the switch is opened and the capacitor is discharged through the idealized SAC. In this case,

$$I_C = I_{OUT} \cdot K \tag{8}$$

substituting Eq. (1) and (8) into Eq. (7) reveals:

$$I_{OUT} = \frac{C}{K^2} \cdot \frac{dV_{OUT}}{dt} \tag{9}$$

The equation in terms of the output has yielded a  $K^2$  scaling factor for C, specified in the denominator of the equation. A K factor less than unity results in an effectively larger capacitance on the output when expressed in terms of the input. With a  $K = 1/4$  as shown in Figure 15,  $C = 1 \mu\text{F}$  would appear as  $C = 16 \mu\text{F}$  when viewed from the output.

Low impedance is a key requirement for powering a high-current, low-voltage load efficiently. A switching regulation stage should have minimal impedance while simultaneously providing appropriate filtering for any switched current. The use of a SAC between the regulation stage and the point of load provides a dual benefit of scaling down series impedance leading back to the source and scaling up shunt capacitance or energy storage as a function of its K factor squared. However, the benefits are not useful if the series impedance of the SAC is too high. The impedance of the SAC must be low, i.e. well beyond the crossover frequency of the system.

A solution for keeping the impedance of the SAC low involves switching at a high frequency. This enables small magnetic components because magnetizing currents remain low. Small magnetics mean small path lengths for turns. Use of low loss core material at high frequencies also reduces core losses.

The two main terms of power loss in the BCM™ module are:

- No load power dissipation ( $P_{NL}$ ): defined as the power used to power up the module with an enabled powertrain at no load.
- Resistive loss ( $R_{OUT}$ ): refers to the power loss across the BCM module modeled as pure resistive impedance.

$$P_{DISSIPATED} = P_{NL} + P_{ROUT} \tag{10}$$

Therefore,

$$P_{OUT} = P_{IN} - P_{DISSIPATED} = P_{IN} - P_{NL} - P_{ROUT} \tag{11}$$

The above relations can be combined to calculate the overall module efficiency:

$$\eta = \frac{P_{OUT}}{P_{IN}} = \frac{P_{IN} - P_{NL} - P_{ROUT}}{P_{IN}} \tag{12}$$

$$= \frac{V_{IN} \cdot I_{IN} - P_{NL} - (I_{OUT})^2 \cdot R_{OUT}}{V_{IN} \cdot I_{IN}}$$

$$= 1 - \left( \frac{P_{NL} + (I_{OUT})^2 \cdot R_{OUT}}{V_{IN} \cdot I_{IN}} \right)$$

## 10.0 INPUT AND OUTPUT FILTER DESIGN

A major advantage of SAC™ systems versus conventional PWM converters is that the transformers do not require large functional filters. The resonant LC tank, operated at extreme high frequency, is amplitude modulated as a function of input voltage and output current and efficiently transfers charge through the isolation transformer. A small amount of capacitance embedded in the input and output stages of the module is sufficient for full functionality and is key to achieve power density.

This paradigm shift requires system design to carefully evaluate external filters in order to:

### 1. Guarantee low source impedance:

To take full advantage of the BCM™ module's dynamic response, the impedance presented to its input terminals must be low from DC to approximately 5 MHz. The connection of the bus converter module to its power source should be implemented with minimal distribution inductance. If the interconnect inductance exceeds 100 nH, the input should be bypassed with a RC damper to retain low source impedance and stable operation. With an interconnect inductance of 200 nH, the RC damper may be as high as 1 µF in series with 0.3 Ω. A single electrolytic or equivalent low-Q capacitor may be used in place of the series RC bypass.

### 2. Further reduce input and/or output voltage ripple without sacrificing dynamic response:

Given the wide bandwidth of the module, the source response is generally the limiting factor in the overall system response. Anomalies in the response of the source will appear at the output of the module multiplied by its K factor. This is illustrated in Figures 11 and 12.

### 3. Protect the module from overvoltage transients imposed by the system that would exceed maximum ratings and cause failures:

The module input/output voltage ranges shall not be exceeded. An internal overvoltage lockout function prevents operation outside of the normal operating input range. Even during this condition, the powertrain is exposed to the applied voltage and power MOSFETs must withstand it. A criterion for protection is the maximum amount of energy that the input or output switches can tolerate if avalanched.

Total load capacitance at the output of the BCM module shall not exceed the specified maximum. Owing to the wide bandwidth and low output impedance of the module, low-frequency bypass capacitance and significant energy

storage may be more densely and efficiently provided by adding capacitance at the input of the module. At frequencies <500 kHz the module appears as an impedance of  $R_{OUT}$  between the source and load.

Within this frequency range, capacitance at the input appears as effective capacitance on the output per the relationship defined in Eq. 5.

$$C_{OUT} = \frac{C_{IN}}{K^2} \quad \text{Eq. 6}$$

This enables a reduction in the size and number of capacitors used in a typical system.

## 11.0 THERMAL CONSIDERATIONS

V•I Chip™ products are multi-chip modules whose temperature distribution varies greatly for each part number as well as with the input / output conditions, thermal management and environmental conditions. Maintaining the top of the BCM48BF120T300A00 case to less than 100°C will keep all junctions within the V•I Chip module below 125°C for most applications.

The percent of total heat dissipated through the top surface versus through the J-lead is entirely dependent on the particular mechanical and thermal environment. The heat dissipated through the top surface is typically 60%. The heat dissipated through the J-lead onto the PCB surface is typically 40%. Use 100% top surface dissipation when designing for a conservative cooling solution.

It is not recommended to use a V•I Chip module for an extended period of time at full load without proper heat sinking.

### 12.0 CURRENT SHARING

The performance of the SACT™ topology is based on efficient transfer of energy through a transformer without the need of closed loop control. For this reason, the transfer characteristic can be approximated by an ideal transformer with a positive temperature coefficient series resistance.

This type of characteristic is close to the impedance characteristic of a DC power distribution system both in dynamic (AC) behavior and for steady state (DC) operation.

When multiple BCM™ modules of a given part number are connected in an array they will inherently share the load current according to the equivalent impedance divider that the system implements from the power source to the point of load.

Some general recommendations to achieve matched array impedances include:

- Dedicate common copper planes within the PCB to deliver and return the current to the modules.
- Provide as symmetric a PCB layout as possible among modules
- Apply same input / output filters (if present) to each unit.

For further details see [AN:016 Using BCM™ Bus Converters in High Power Arrays](#).

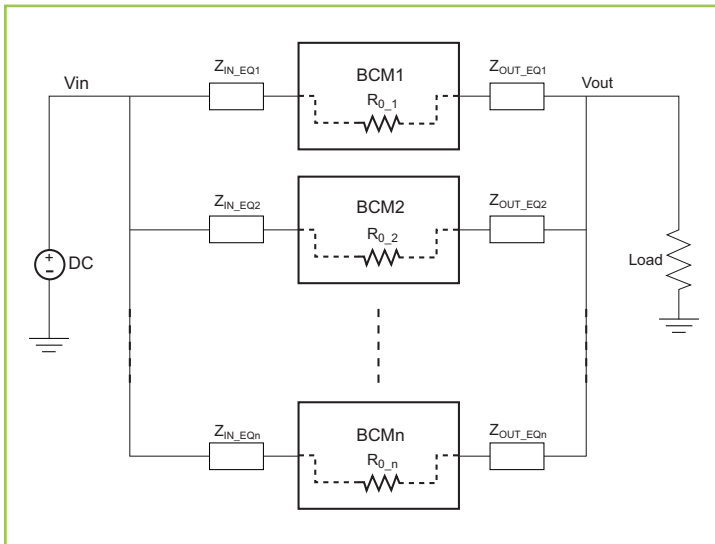


Figure 16 — BCM™ module array

### 13.0 FUSE SELECTION

In order to provide flexibility in configuring power systems V•I Chip™ modules are not internally fused. Input line fusing of V•I Chip products is recommended at system level to provide thermal protection in case of catastrophic failure.

The fuse shall be selected by closely matching system requirements with the following characteristics:

- Current rating (usually greater than maximum current of BCM module)
- Maximum voltage rating (usually greater than the maximum possible input voltage)
- Ambient temperature
- Nominal melting  $I^2t$
- Recommend fuse:  $\leq 10A$  Littlefuse Nano<sup>2</sup> Fuse.

### 14.0 REVERSE OPERATION

BCM modules are capable of reverse power operation. Once the unit is started, energy will be transferred from secondary back to the primary whenever the secondary voltage exceeds  $V_{IN} \cdot K$ . The module will continue operation in this fashion for as long as no faults occur.

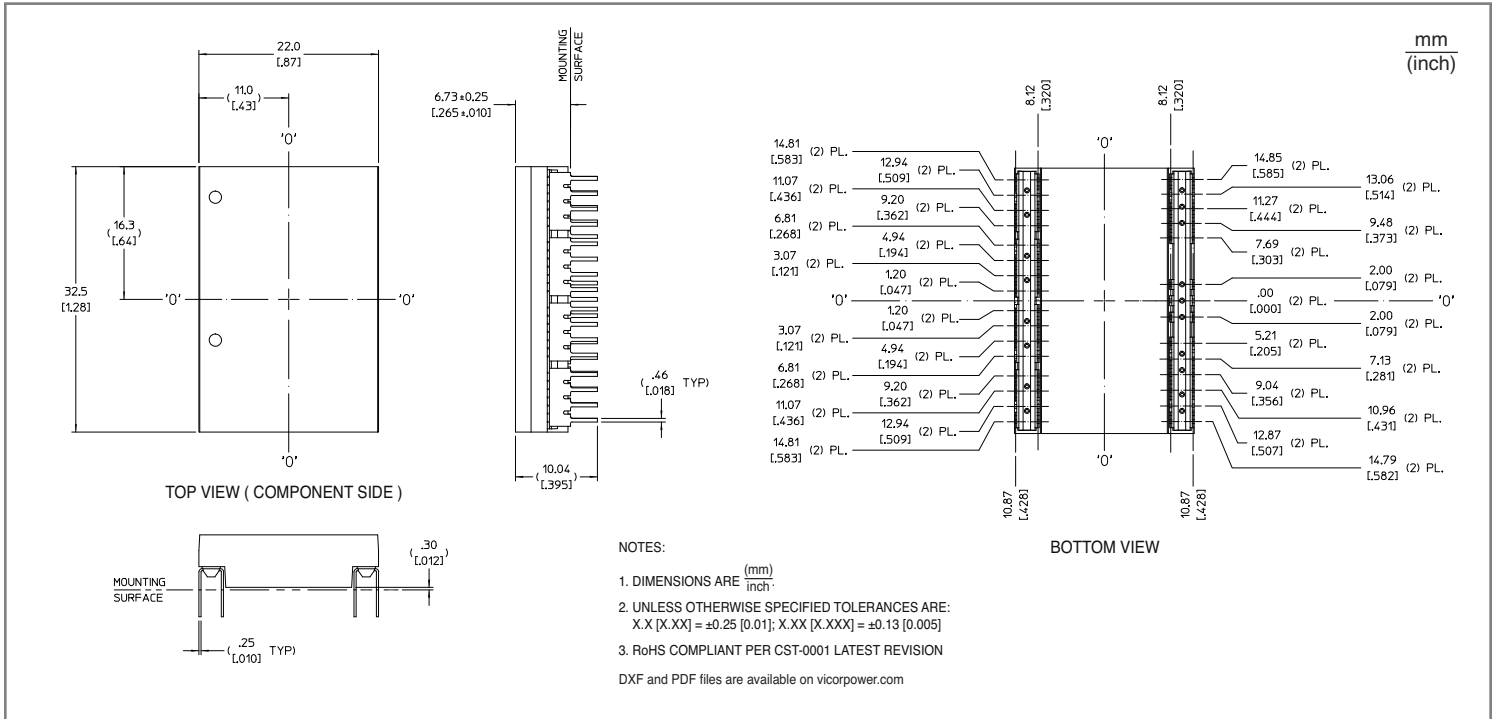
The BCM48BF120T300A00 has not been qualified for continuous operation in a reverse power condition. Furthermore fault protections which help protect the module in forward operation will not fully protect the module in reverse operation.

Transient operation in reverse is expected in cases where there is significant energy storage on the output and transient voltages appear on the input. Transient reverse power operation of less than 10 ms, 10% duty cycle is permitted and has been qualified to cover these cases.

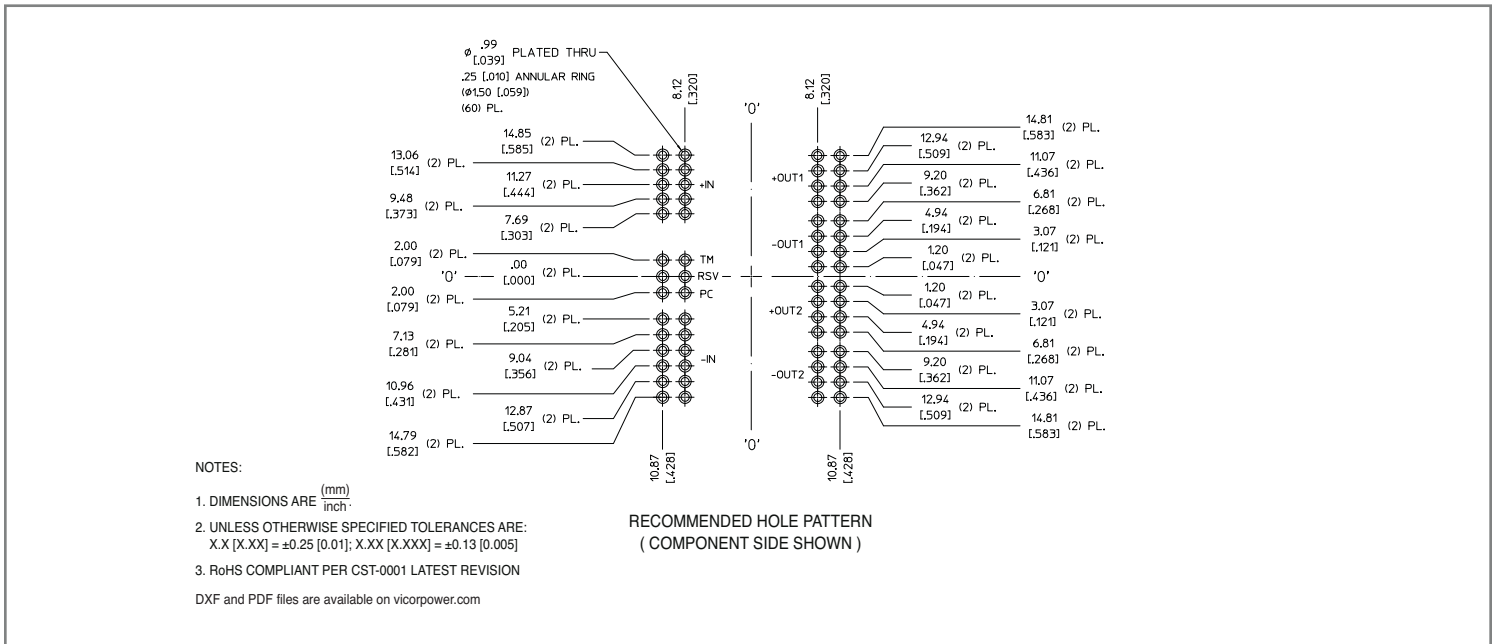


15.3 THROUGH-HOLE PACKAGE MECHANICAL DRAWING

[Click here to view original mechanical drawings on the Vicor website.](#)



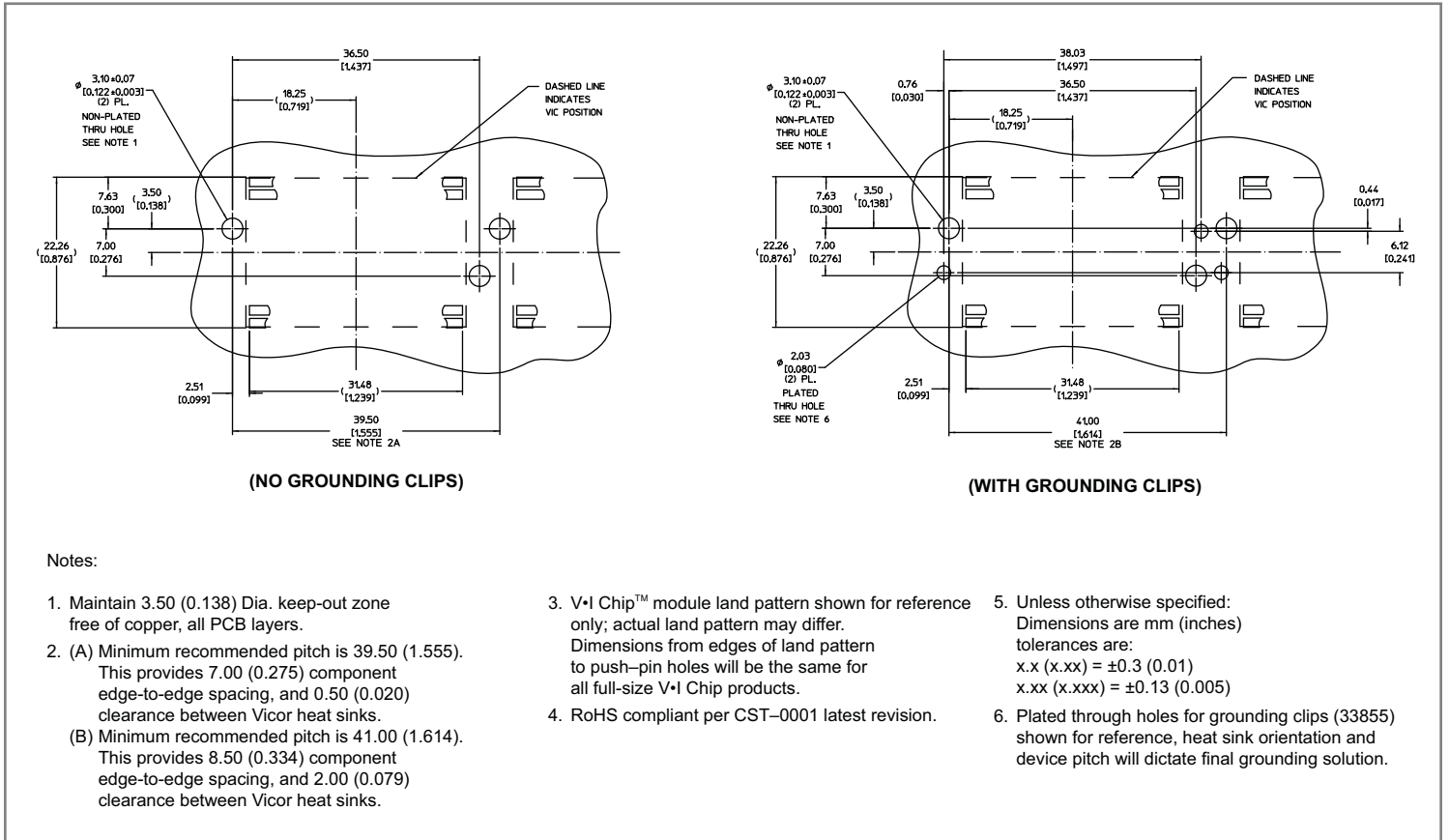
15.4 THROUGH-HOLE PACKAGE RECOMMENDED LAND PATTERN



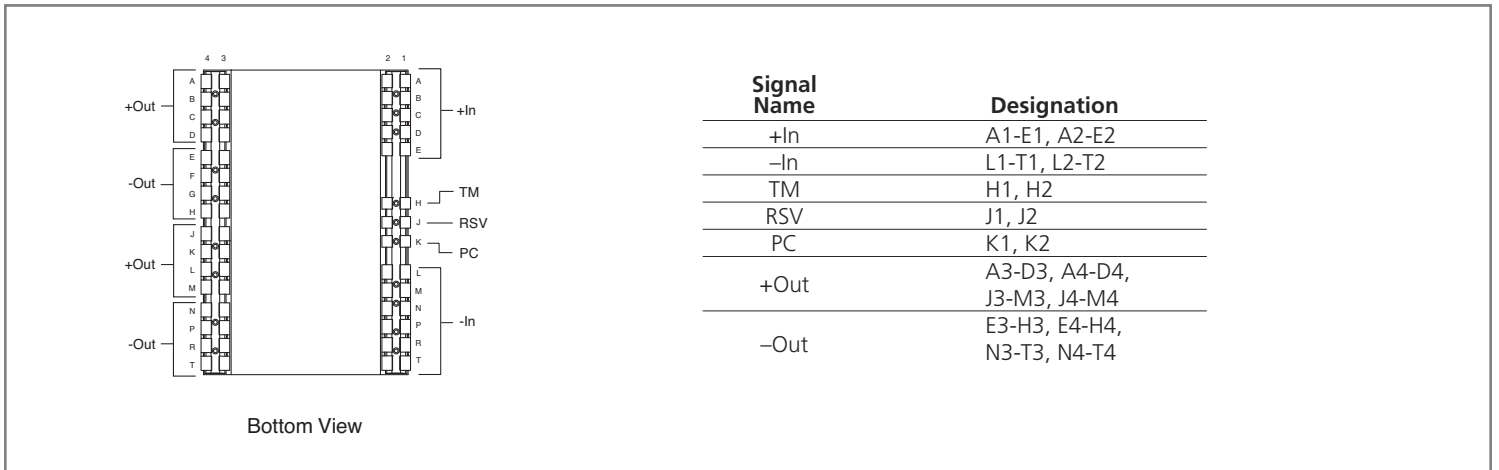


15.5 RECOMMENDED HEAT SINK PUSH PIN LOCATION

[Click here to view original mechanical drawings on the Vicor website.](#)



15.6 BCM™ MODULE PIN CONFIGURATION



## Warranty

Vicor products are guaranteed for two years from date of shipment against defects in material or workmanship when in normal use and service. This warranty does not extend to products subjected to misuse, accident, or improper application or maintenance. Vicor shall not be liable for collateral or consequential damage. This warranty is extended to the original purchaser only.

EXCEPT FOR THE FOREGOING EXPRESS WARRANTY, VICOR MAKES NO WARRANTY, EXPRESS OR IMPLIED, INCLUDING, BUT NOT LIMITED TO, THE WARRANTY OF MERCHANTABILITY OR FITNESS FOR A PARTICULAR PURPOSE.

Vicor will repair or replace defective products in accordance with its own best judgement. For service under this warranty, the buyer must contact Vicor to obtain a Return Material Authorization (RMA) number and shipping instructions. Products returned without prior authorization will be returned to the buyer. The buyer will pay all charges incurred in returning the product to the factory. Vicor will pay all reshipment charges if the product was defective within the terms of this warranty.

Information published by Vicor has been carefully checked and is believed to be accurate; however, no responsibility is assumed for inaccuracies. Vicor reserves the right to make changes to any products without further notice to improve reliability, function, or design. Vicor does not assume any liability arising out of the application or use of any product or circuit; neither does it convey any license under its patent rights nor the rights of others. Vicor general policy does not recommend the use of its components in life support applications wherein a failure or malfunction may directly threaten life or injury. Per Vicor Terms and Conditions of Sale, the user of Vicor components in life support applications assumes all risks of such use and indemnifies Vicor against all damages.

## **Vicor's comprehensive line of power solutions includes high density AC-DC and DC-DC modules and accessory components, fully configurable AC-DC and DC-DC power supplies, and complete custom power systems.**

Information furnished by Vicor is believed to be accurate and reliable. However, no responsibility is assumed by Vicor for its use. Vicor components are not designed to be used in applications, such as life support systems, wherein a failure or malfunction could result in injury or death. All sales are subject to Vicor's Terms and Conditions of Sale, which are available upon request.

## **Specifications are subject to change without notice.**

## Intellectual Property Notice

Vicor and its subsidiaries own Intellectual Property (including issued U.S. and Foreign Patents and pending patent applications) relating to the products described in this data sheet. Interested parties should contact Vicor's Intellectual Property Department.

The products described on this data sheet are protected by the following U.S. Patents Numbers: 5,945,130; 6,403,009; 6,710,257; 6,911,848; 6,930,893; 6,934,166; 6,940,013; 6,969,909; 7,038,917; 7,145,186; 7,166,898; 7,187,263; 7,202,646; 7,361,844; D496,906; D505,114; D506,438; D509,472; and for use under 6,975,098 and 6,984,965.

**Vicor Corporation**  
25 Frontage Road  
Andover, MA, USA 01810  
Tel: 800-735-6200  
Fax: 978-475-6715

### email

Customer Service: [custserv@vicorpower.com](mailto:custserv@vicorpower.com)  
Technical Support: [apps@vicorpower.com](mailto:apps@vicorpower.com)