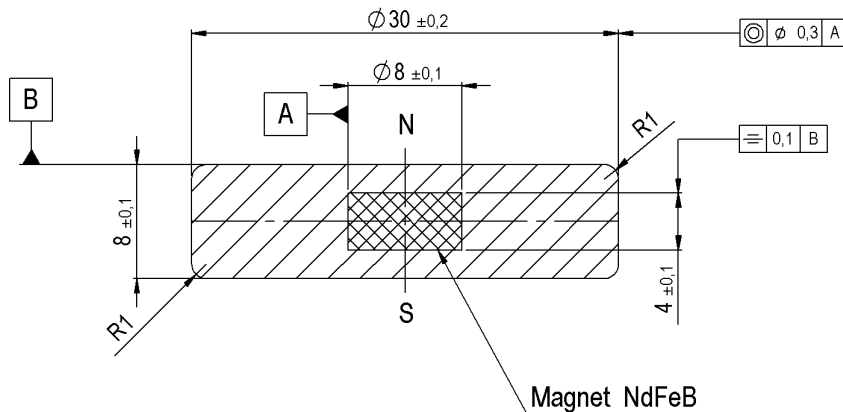
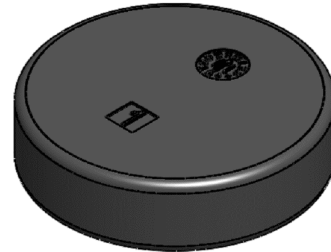
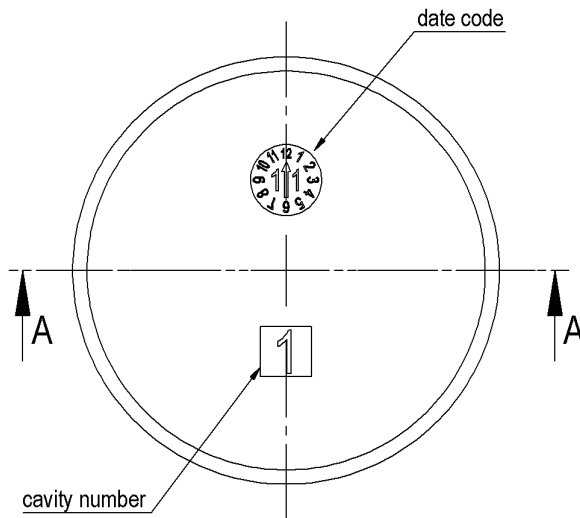


Dimensions mm[inch]
tolerances acc. to DIN ISO 2768-m
Toleranzen gem. DIN ISO 2768-m

Isometric
Scale 2:1
Maßstab 2:1



Modifications in the sense of technical progress are reserved

Designed at: 17.03.09 Designed by: WKOVACS
Last Change at: 09.06.11 Last Change by: WKOVACS

Approval at: 16.09.09 Approval by: DKUECHLER
Approval at: 09.06.11 Approval by: DKUECHLER

Version: 02

Special Product Data	Conditions	Min	Typ	Max	Unit
Material of float		PP HF700SA, colour RAL 9004 (signal black)			
Float weight		3,8	4,2	4,7	g

Environmental data	Conditions	Min	Typ	Max	Unit
Safety class	DIN EN 60529	IP68			

Mag. values DIN IEC 60404-8-	Conditions	Min	Typ	Max	Unit
Energy product (B x H) max.		263	287		kJ/cu m
Remanence Br		1.170	1.240		mT
Revers. temp. coeff. of Br			-0,11		%/K
Coercivity HcB		876	947		kA/m
Coercivity HcJ		1.353			kA/m
Revers. temp. coeff. of HcJ			-0,58		%/K
Density		7,5	7,6		g/cu cm
Magnetic moment	inclusive of 5% tolerance		1,44		E-6 Vs*cm
Direction of Magnetization		axial			
Magnet Material		NdFeB, N35H, nickel plated			

General data	Conditions	Min	Typ	Max	Unit
Remarks		All details according to manufacturers information			