

# Agilent HFCT-5942xxx Single Mode Laser Small Form Factor Transceivers for ATM, SONET OC-48/SDH STM-16

*Part of the Agilent METRAK family*

## Data Sheet



### Description

The HFCT-5942xxx are high performance, cost effective modules for serial optical data communications applications at 2488 Mb/s. They are designed to provide SONET/SDH compliant links at 2488 Mb/s for both short and intermediate reach links.

The modules are designed for single mode fiber and operate at a nominal wavelength of 1300 nm. They incorporate high performance, reliable, long wavelength optical devices and proven circuit technology to give long life and consistent service.

The transmitter section of the HFCT-5942L/AL/G/AG incorporates a 1300 nm Fabry Perot (FP) laser. The transmitter in the HFCT-5942TL/ATL/TG/ATG uses a

Distributed Feedback (DFB) Laser packaged in conjunction with an optical isolator for excellent back reflection performance. The transmitter has full IEC 825 and CDRH Class 1 eye safety.

For each device the receiver section uses an MOVPE grown planar SEDET PIN photodetector for low dark current and excellent responsivity.

A positive ECL logic interface simplifies interface to external circuitry.

The transceivers are supplied in the new industry standard 2 x 10 DIP style package with the LC fiber connector interface and is footprint compatible with SFF Multi Source Agreement (MSA).

### Features

- **HFCT-5942L/AL:**  
Links of 2 km with 9/125  $\mu$ m single mode fiber (SMF)
- **HFCT-5942TL/ATL:**  
Links of 15 km with 9/125  $\mu$ m single mode fiber (SMF)
- **Multisourced 2 x 10 package style with LC receptacle**
- **Single +3.3 V power supply**
- **Temperature range:**  
HFCT-5942L/G: 0°C to +70°C  
HFCT-5942TL/TG: 0°C to +70°C  
HFCT-5942AL/AG: -40°C to +85°C  
HFCT-5942ATL/ATG: -20°C to +85°C
- **Wave solder and aqueous wash process compatible**
- **Manufactured in an ISO9002 certified facility**
- **Fully Class 1 CDRH/IEC 825 compliant**
- **Compliant with ITU-T G.957 STM-16, I-16 and S-16.1 Optical Interfaces**
- **HFCT-5942L/AL/TL/ATL:**  
with EMI nose shield
- **HFCT-5942G/AG/TG/ATG:**  
without EMI nose shield

### Applications

- **SONET/SDH equipment interconnect, OC-48/SDH STM-16 rate**
- **Short and intermediate reach ATM/SONET links**



Agilent Technologies

## Functional Description

### Receiver Section

#### Design

The receiver section for the HFCT-5942xxx contains an InGaAs/InP photo detector and a preamplifier mounted in an optical subassembly. This optical subassembly is coupled to a postamp/decision circuit on a circuit board. The design of the optical assembly is such that it provides better than 27 dB Optical Return Loss (ORL).

The postamplifier is ac coupled to the preamplifier as illustrated in Figure 1. The coupling capacitors are large enough to pass the SONET/SDH test pattern at 2488 Mb/s without significant distortion or performance penalty. If a lower signal rate, or a code which has significantly more low frequency content is used, sensitivity, jitter and pulse distortion could be degraded.

Figure 1 also shows a filter function which limits the bandwidth of the preamp output signal. The filter is designed to bandlimit the preamp output noise and thus improve the receiver sensitivity.

These components will reduce the sensitivity of the receiver as the signal bit rate is increased above 2488 Mb/s.

As an optional feature the device also incorporates a photodetector bias circuit. The circuit works by providing a mirrored output of the bias current within the photodiode. This output must be connected to V<sub>CC</sub> and can be monitored by connecting through a series resistor (see Application Section).

#### Noise Immunity

The receiver includes internal circuit components to filter power supply noise. However under some conditions of EMI and power supply noise, external power supply filtering may be necessary (see Application Section).

#### The Signal Detect Circuit

The signal detect circuit works by sensing the peak level of the received signal and comparing this level to a reference. The SD output is low voltage TTL.

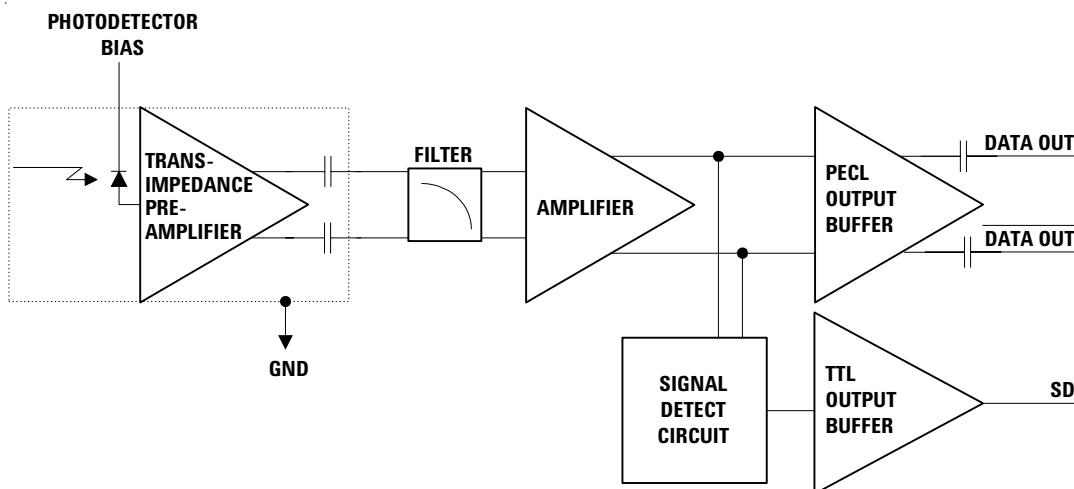


Figure 1. Receiver Block Diagram

## Functional Description

### Transmitter Section

#### Design

A schematic diagram for the transmitter is shown in Figure 2. The HFCT-5942L/AL/G/AG incorporates an FP laser and the HFCT-5942TL/TG/ATL/ATG uses a DFB packaged in conjunction with an optical isolator. Both packages have been designed to be compliant with IEC 825 eye safety requirements under any single fault condition and CDRH under normal operating conditions. The optical output is controlled by a custom IC that detects the laser output via the monitor photodiode. This IC provides both dc and ac current drive to the laser to ensure correct modulation, eye diagram and extinction ratio over temperature, supply voltage and operating life.

The transmitters also include monitor circuitry for both the laser diode bias current and laser diode optical power.

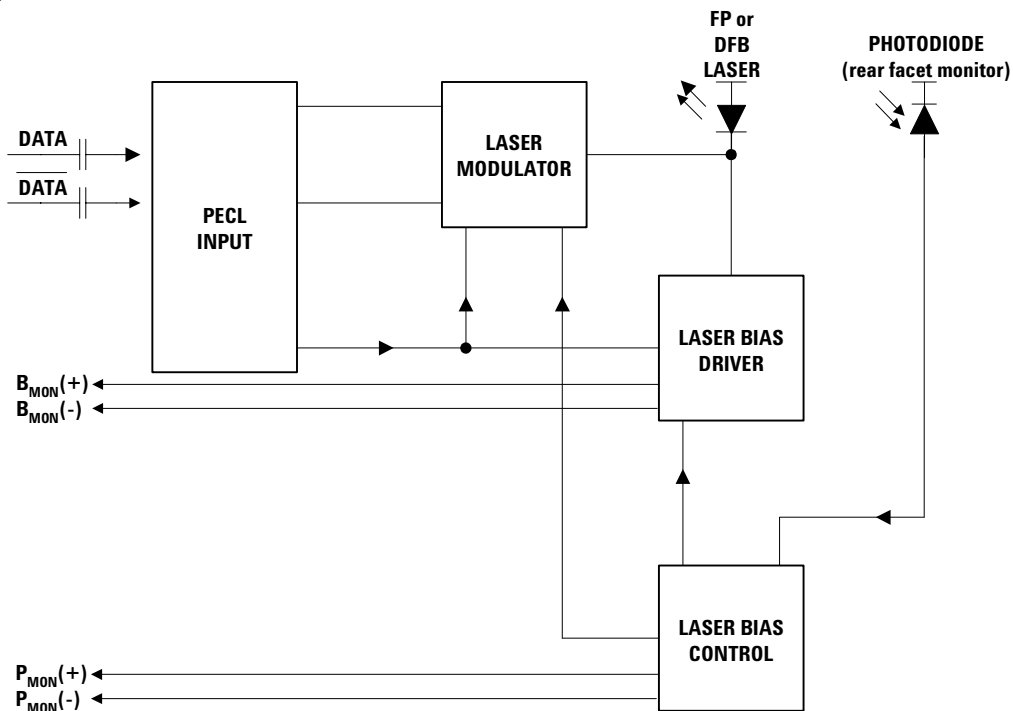


Figure 2. Simplified Transmitter Schematic

### Package

The overall package concept for the device consists of the following basic elements; two optical subassemblies, two electrical subassemblies and the housing as illustrated in the block diagram in Figure 3.

The package outline drawing and pin out are shown in Figures 4 and 5. The details of this package outline and pin out are compliant with the multisource definition of the 2 x 10 DIP.

A metallic nose clip provides connection to chassis ground for both EMI and thermal dissipation.

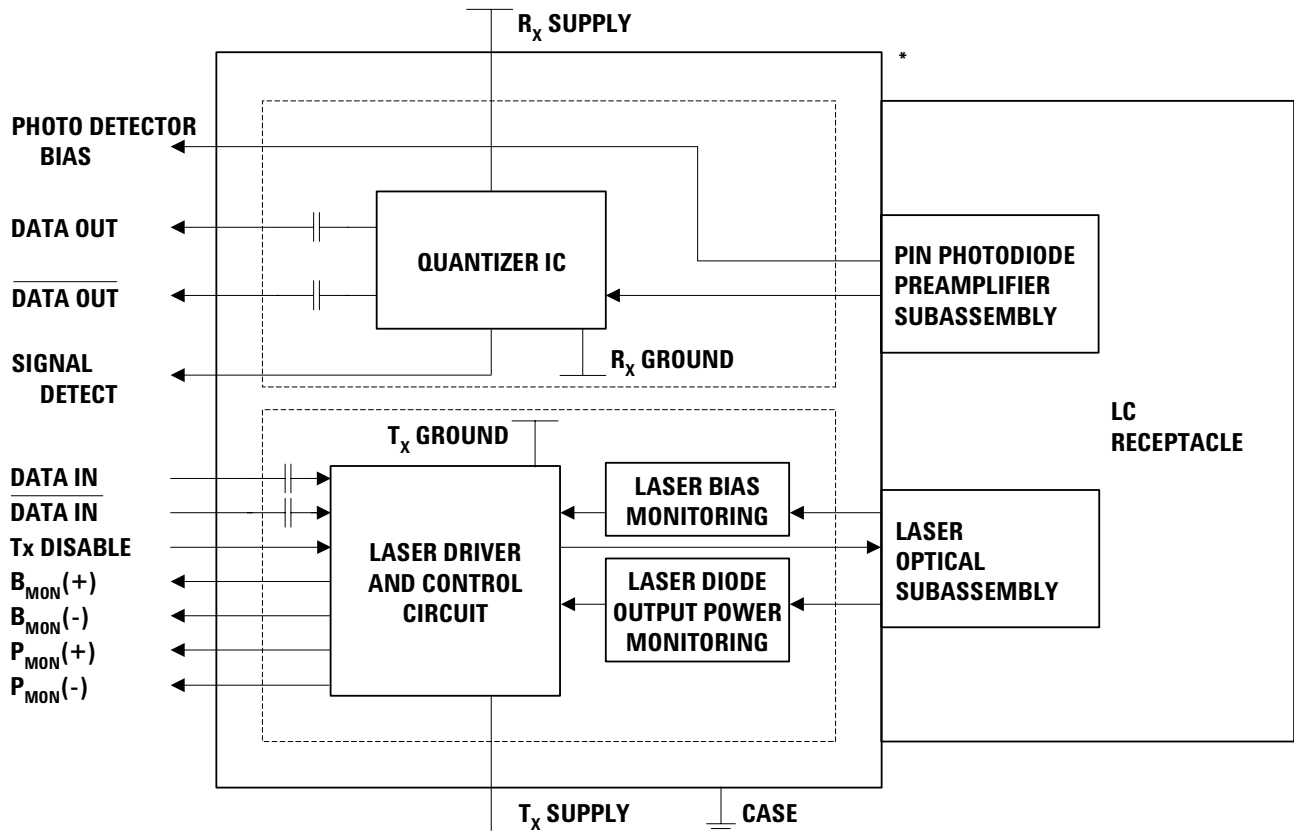
The electrical subassemblies consist of high volume multilayer printed circuit boards on which the IC and various surface-mounted passive circuit elements are attached.

The receiver electrical subassembly includes an internal shield for the electrical and optical subassembly to ensure high immunity to external EMI fields.

The optical subassemblies are each attached to their respective transmit or receive electrical subassemblies. These two units are then fitted within the outer housing of the transceiver that is molded of filled nonconductive plastic to provide mechanical strength.

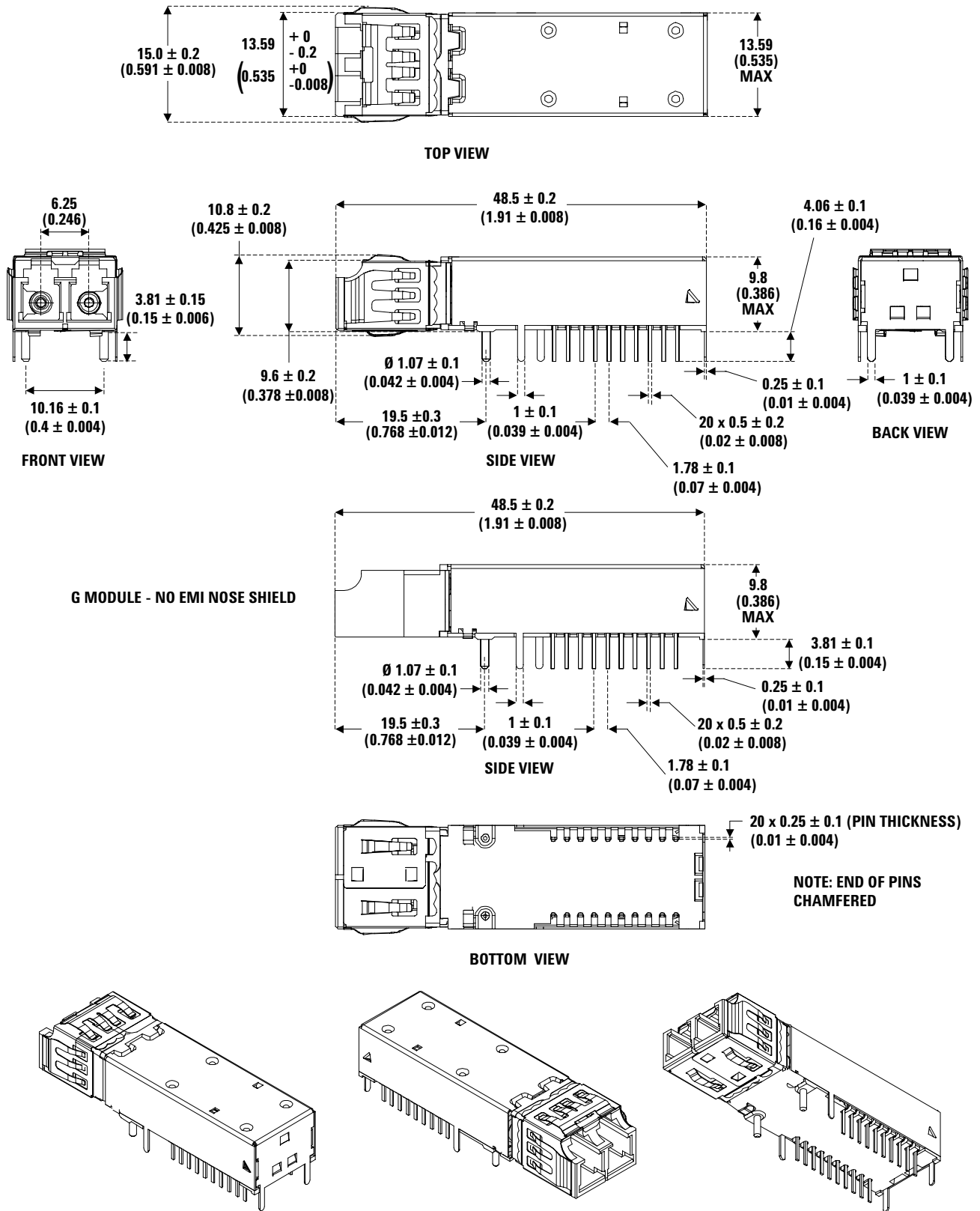
The housing is then encased with a metal EMI protective shield. The case is signal ground and we recommend soldering the four ground tabs to host card signal ground.

The pcb's for the two electrical subassemblies both carry the signal pins that exit from the bottom of the transceiver. The solder posts are fastened into the molding of the device and are designed to provide the mechanical strength required to withstand the loads imposed on the transceiver by mating with the LC connected fiber cables. Although they are not connected electrically to the transceiver, it is recommended to connect them to chassis ground.



\* NOSE CLIP PROVIDES CONNECTION TO CHASSIS GROUND FOR BOTH EMI AND THERMAL DISSIPATION.

Figure 3. Block Diagram



DIMENSIONS IN MILLIMETERS (INCHES)

DIMENSIONS SHOWN ARE NOMINAL. ALL DIMENSIONS MEET THE MAXIMUM PACKAGE OUTLINE DRAWING IN THE SFF MSA.

Figure 4. HFCT-5942xxx Package Outline Drawing

## Connection Diagram

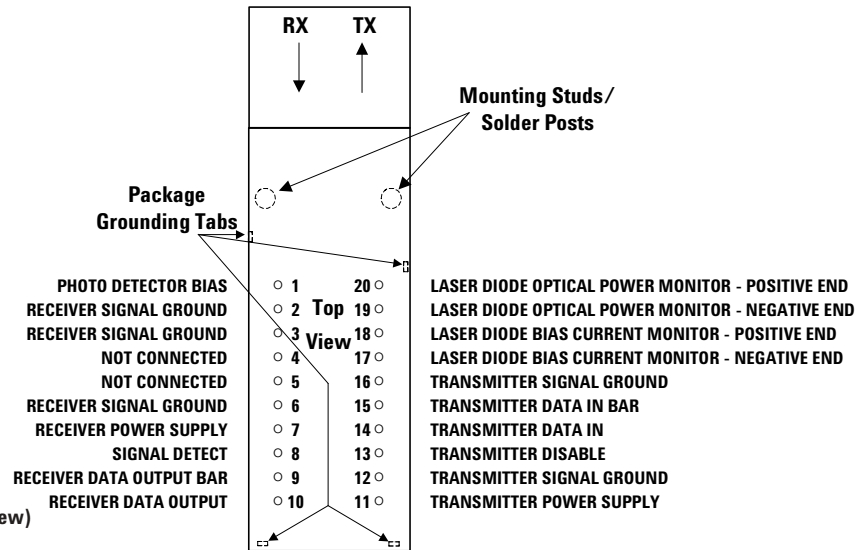


Figure 5. Pin Out Diagram (Top View)

### Pin Descriptions:

#### Pin 1 Photo Detector Bias, VpdR:

This pin enables monitoring of photo detector bias current. The pin should either be connected directly to V<sub>CCRX</sub>, or to V<sub>CCRX</sub> through a resistor for monitoring photo detector bias current.

#### Pins 2, 3, 6 Receiver Signal Ground V<sub>EE</sub> RX:

Directly connect these pins to the receiver ground plane.

#### Pins 4, 5 DO NOT CONNECT

**Pin 7 Receiver Power Supply V<sub>CC</sub> RX:** Provide +3.3 V dc via the recommended receiver power supply filter circuit. Locate the power supply filter circuit as close as possible to the V<sub>CC</sub> RX pin. Note: the filter circuit should not cause V<sub>CC</sub> to drop below minimum specification.

#### Pin 8 Signal Detect SD:

Normal optical input levels to the receiver result in a logic "1" output.

Low optical input levels to the receiver result in a logic "0" output.

This Signal Detect output can be used to drive a TTL input on an upstream circuit, such as Signal Detect input or Loss of Signal-bar.

#### Pin 9 Receiver Data Out Bar RD-:

PECL logic family. Output internally biased and ac coupled.

#### Pin 10 Receiver Data Out RD+:

PECL logic family. Output internally biased and ac coupled.

#### Pin 11 Transmitter Power Supply V<sub>CC</sub> TX:

Provide +3.3 V dc via the recommended transmitter power supply filter circuit. Locate the power supply filter circuit as close as possible to the V<sub>CC</sub> TX pin.

#### Pins 12, 16 Transmitter Signal Ground V<sub>EE</sub> TX:

Directly connect these pins to the transmitter signal ground plane.

#### Pin 13 Transmitter Disable T<sub>DIS</sub>:

Optional feature, connect this pin to +3.3 V TTL logic high "1" to disable module. To enable module connect to TTL logic low "0".

#### Pin 14 Transmitter Data In TD+:

PECL logic family. Internal terminations are provided (Terminations, ac coupling).

#### Pin 15 Transmitter Data In Bar TD-:

Internal terminations are provided (Terminations, ac coupling).

#### Pin 17 Laser Diode Bias Current Monitor - Negative End B<sub>MON-</sub>

The laser diode bias current is accessible by measuring the voltage developed across pins 17 and 18. Dividing the voltage by 10 Ohms (internal) will yield the value of the laser bias current.

#### Pin 18 Laser Diode Bias Current Monitor - Positive End B<sub>MON+</sub>

See pin 17 description.

#### Pin 19 Laser Diode Optical Power Monitor - Negative End P<sub>MON-</sub>

The back facet diode monitor current is accessible by measuring the voltage developed across pins 19 and 20. The voltage across a 200 Ohm resistor between pins 19 and 20 will be proportional to the photo current.

#### Pin 20 Laser Diode Optical Power Monitor - Positive End P<sub>MON+</sub>

See pin 19 description.

#### Mounting Studs/Solder Posts

The two mounting studs are provided for transceiver mechanical attachment to the circuit board. It is recommended that the holes in the circuit board be connected to chassis ground.

#### Package Grounding Tabs

Connect four package grounding tabs to signal ground.

### Application Information

The Applications Engineering Group at Agilent is available to assist you with technical understanding and design trade-offs associated with these transceivers. You can contact them through your Agilent sales representative.

The following information is provided to answer some of the most common questions about the use of the parts.

### Optical Power Budget and Link Penalties

The worst-case Optical Power Budget (OPB) in dB for a fiber-optic link is determined by the difference between the minimum transmitter output

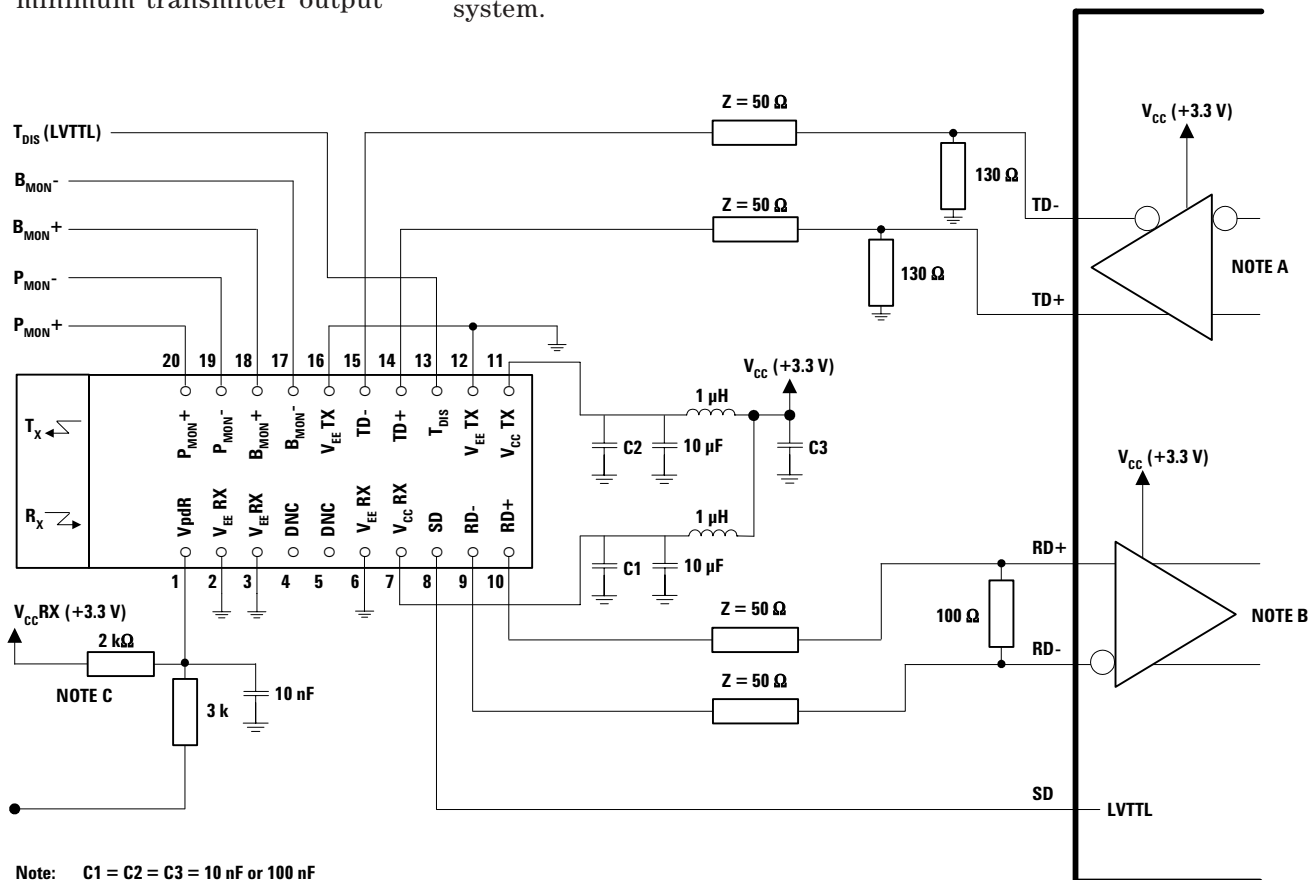
optical power (dBm avg) and the lowest receiver sensitivity (dBm avg). This OPB provides the necessary optical signal range to establish a working fiber-optic link. The OPB is allocated for the fiber-optic cable length and the corresponding link penalties. For proper link performance, all penalties that affect the link performance must be accounted for within the link optical power budget.

### Electrical and Mechanical Interface Recommended Circuit

Figure 6 shows the recommended interface for deploying the Agilent transceivers in a +3.3 V system.

### Data Line Interconnections

Agilent's HFCT-5942xxx fiber-optic transceivers are designed to couple to +3.3 V PECL signals. The transmitter driver circuit regulates the output optical power. The regulated light output will maintain a constant output optical power provided the data pattern is balanced in duty cycle. If the data duty cycle has long, continuous state times (low or high data duty cycle), then the output optical power will gradually change its average output optical power level to its preset value.



- Note: C1 = C2 = C3 = 10 nF or 100 nF
- TD+, TD- INPUTS ARE INTERNALLY TERMINATED AND AC COUPLED.
- RD+, RD- OUTPUTS ARE INTERNALLY BIASED AND AC COUPLED.
- Note A: CIRCUIT ASSUMES OPEN EMITTER OUTPUT.
- Note B: CIRCUIT ASSUMES HIGH IMPEDANCE INTERNAL BIAS @  $V_{cc} - 1.3 V$ .
- Note C: THE BIAS RESISTOR FOR  $V_{pdR}$  SHOULD NOT EXCEED 2 kΩ.

Figure 6. Recommended Interface Circuit

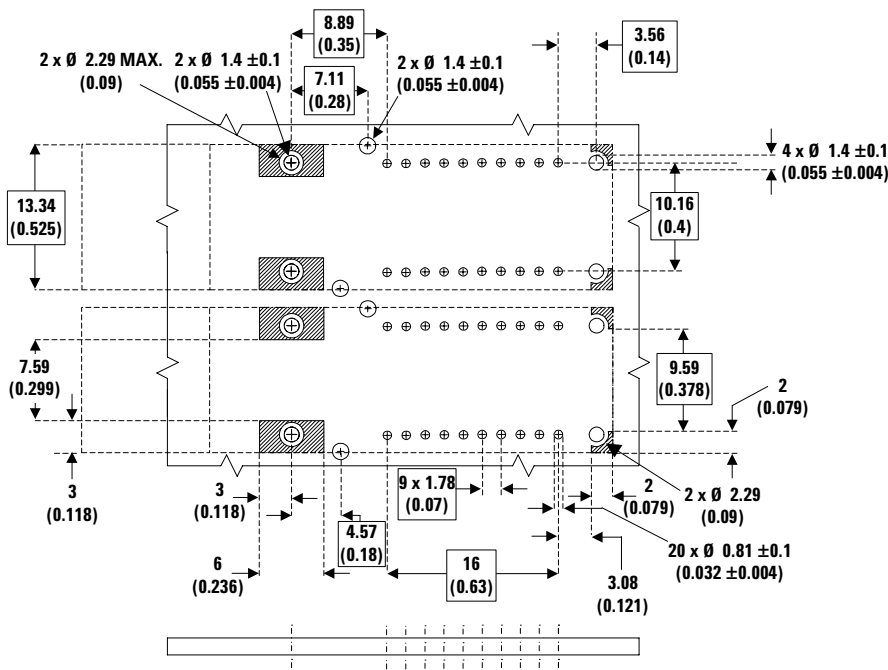
The HFCT-5942xxx has a transmit disable function which is a single-ended +3.3 V TTL input which is dc-coupled to pin 13. In addition the devices offer the designer the option of monitoring the laser diode bias current and the laser diode optical power. The voltage measured between pins 17 and 18 is proportional to the bias current through an internal 10 Ω resistor. Similarly the optical power rear facet monitor circuit provides a photo current which is proportional to the voltage measured between pins 19 and 20, this voltage is measured across an internal 200 Ω resistor.

The receiver section is internally ac-coupled between the preamplifier and the post-amplifier stages. The Data and Data-bar outputs of the post-amplifier are internally biased and ac-coupled to their respective output pins (pins 9, 10).

Signal Detect is a single-ended, +3.3 V TTL compatible output signal that is dc-coupled to pin 8 of the module. Signal Detect should not be ac-coupled externally to the follow-on circuits because of its infrequent state changes.

The designer also has the option of monitoring the PIN photo detector bias current. Figure 6 shows a resistor network, which could be used to do this. Note that the photo detector bias current pin must be connected to V<sub>CC</sub>. Agilent also recommends that a decoupling capacitor is used on this pin.

Caution should be taken to account for the proper interconnection between the supporting Physical Layer integrated circuits and these transceivers. Figure 6 illustrates a recommended interface circuit for interconnecting to a +3.3 V dc PECL fiber-optic transceiver.



DIMENSIONS IN MILLIMETERS (INCHES)

**NOTES:**

1. THIS FIGURE DESCRIBES THE RECOMMENDED CIRCUIT BOARD LAYOUT FOR THE SFF TRANSCEIVER.
2. THE HATCHED AREAS ARE KEEP-OUT AREAS RESERVED FOR HOUSING STANDOFFS. NO METAL TRACES OR GROUND CONNECTION IN KEEP-OUT AREAS.
3. 2 x 10 TRANSCEIVER MODULE REQUIRES 26 PCB HOLES (20 I/O PINS, 2 SOLDER POSTS AND 4 PACKAGE GROUNDING TABS). PACKAGE GROUNDING TABS SHOULD BE CONNECTED TO SIGNAL GROUND.
4. THE MOUNTING STUDS SHOULD BE SOLDERED TO CHASSIS GROUND FOR MECHANICAL INTEGRITY AND TO ENSURE FOOTPRINT COMPATIBILITY WITH OTHER SFF TRANSCEIVERS.
5. HOLES FOR HOUSING LEADS MUST BE TIED TO SIGNAL GROUND.

Figure 7. Recommended Board Layout Hole Pattern



## Power Supply Filtering and Ground Planes

It is important to exercise care in circuit board layout to achieve optimum performance from these transceivers. Figure 6 shows the power supply circuit which complies with the small form factor multisource agreement. It is further recommended that a continuous ground plane be provided in the circuit board directly under the transceiver to provide a low inductance ground for signal return current. This recommendation is in keeping with good high frequency board layout practices.

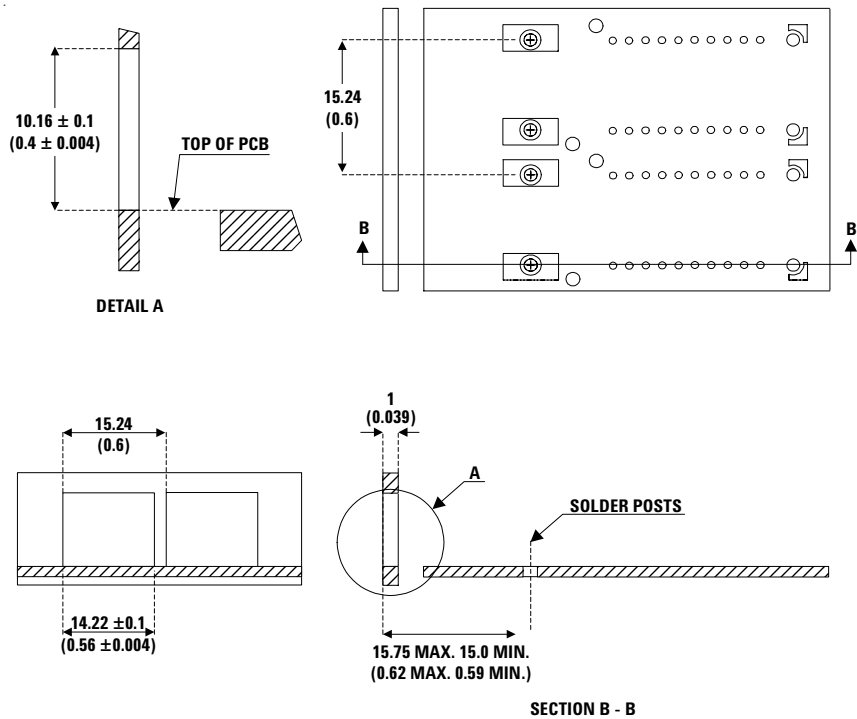
## Package footprint and front panel considerations

The Agilent transceivers comply with the circuit board “Common Transceiver Footprint” hole pattern defined in the current multisource agreement which defined the 2 x 10 package style. This drawing is reproduced in Figure 7 with the addition of ANSI Y14.5M compliant dimensioning to be used as a guide in the mechanical layout of your circuit board. Figure 8 shows the front panel dimensions associated with such a layout.

## Eye Safety Circuit

For an optical transmitter device to be eye-safe in the event of a single fault failure, the transmitter must either maintain eye-safe operation or be disabled.

The HFCT-5942xxx is intrinsically eye safe and does not require shut down circuitry.



DIMENSIONS IN MILLIMETERS (INCHES)

1. FIGURE DESCRIBES THE RECOMMENDED FRONT PANEL OPENING FOR A LC OR SG SFF TRANSCEIVER.
2. SFF TRANSCEIVER PLACED AT 15.24 mm (0.6) MIN. SPACING.

Figure 8. Recommended Panel Mounting

## Signal Detect

The Signal Detect circuit provides a deasserted output signal when the optical link is broken (or when the remote transmitter is OFF). The Signal Detect threshold is set to transition from a high to low state between the minimum receiver input optical power and

-35 dBm avg. input optical power indicating a definite optical fault (e.g. unplugged connector for the receiver or transmitter, broken fiber, or failed far-end transmitter or data source). The Signal Detect does not detect receiver data error or error-rate. Data errors can be determined by signal processing offered by upstream PHY ICs.

## Electromagnetic Interference (EMI)

One of a circuit board designer's foremost concerns is the control of electromagnetic emissions from electronic equipment. Success in controlling generated Electromagnetic Interference (EMI) enables the designer to pass a governmental agency's EMI regulatory standard and more importantly, it reduces the possibility of interference to neighboring equipment. Agilent has designed the HFCT-5942xxx to provide good EMI performance. The EMI performance of a chassis is dependent on physical design and features which help improve EMI suppression. Agilent encourages using standard RF suppression practices and avoiding poorly EMI-sealed enclosures.

Agilent's OC-48 LC transceivers (HFCT-5942xxx) have nose shields which provide a convenient chassis connection to the nose of the transceiver. This nose shield improves system EMI performance by effectively closing off the LC aperture. Localized shielding is also improved by tying the four metal housing package grounding tabs to signal ground on the PCB. Though not obvious by inspection, the nose shield and metal housing are electrically separated for customers who do not wish to directly tie chassis and signal grounds together. The recommended transceiver position, PCB layout and panel opening for both devices are the same, making them mechanically drop-in compatible. Figure 8 shows the recommended positioning of the transceivers with respect to the PCB and faceplate.

#### **Package and Handling Instructions Flammability**

The HFCT-5942xxx transceiver housing consists of high strength, heat resistant and UL 94 V-0 flame retardant plastic and metal packaging.

#### **Recommended Solder and Wash Process**

The HFCT-5942xxx are compatible with industry-standard wave solder processes.

#### **Process plug**

This transceiver is supplied with a process plug for protection of the optical port within the LC connector receptacle. This process plug prevents contamination during wave solder and aqueous rinse as well as during handling, shipping and storage. It is made of a high-temperature, molded sealing material that can withstand +85°C and a rinse pressure of 110 lbs per square inch.

#### **Recommended Solder fluxes**

Solder fluxes used with the HFCT-5942xxx should be water-soluble, organic fluxes. Recommended solder fluxes include Lonco 3355-11 from London Chemical West, Inc. of Burbank, CA, and 100 Flux from Alpha-Metals of Jersey City, NJ.

#### **Recommended Cleaning/Degreasing Chemicals**

*Alcohols:* methyl, isopropyl, isobutyl.

*Aliphatics:* hexane, heptane

*Other:* naphtha.

*Do not use* partially halogenated hydrocarbons such as 1,1,1 trichloroethane, ketones such as MEK, acetone, chloroform, ethyl acetate, methylene dichloride, phenol, methylene chloride, or N-methylpyrrolidone. Also, Agilent does not recommend the use of cleaners that use halogenated hydrocarbons because of their potential environmental harm.

#### **LC SFF Cleaning Recommendations**

In the event of contamination of the optical ports, the recommended cleaning process is the use of forced nitrogen. If contamination is thought to have remained, the optical ports can be cleaned using a NTT international Cletop stick type (diam. 1.25mm) and HFE7100 cleaning fluid.

### Regulatory Compliance

The Regulatory Compliance for transceiver performance is shown in Table 1. The overall equipment design will determine the certification level. The transceiver performance is offered as a figure of merit to assist the designer in considering their use in equipment designs.

### Electrostatic Discharge (ESD)

The device has been tested to comply with MIL-STD-883E (Method 3015). It is important to use normal ESD handling precautions for ESD sensitive devices. These precautions include using grounded wrist straps, work benches, and floor mats in ESD controlled areas.

### Electromagnetic Interference (EMI)

Most equipment designs utilizing these high-speed transceivers from Agilent will be required to meet FCC regulations in the United States, CENELEC EN55022 (CISPR 22) in Europe and VCCI in Japan. Refer to EMI section (page 9) for more details.

### Immunity

Transceivers will be subject to radio-frequency electromagnetic fields following the IEC 61000-4-3 test method.

### Eye Safety

These laser-based transceivers are classified as AEL Class I (U.S. 21 CFR(J) and AEL Class 1 per EN 60825-1 (+A11). They are eye safe when used

within the data sheet limits per CDRH. They are also eye safe under normal operating conditions and under all reasonably foreseeable single fault conditions per EN60825-1. Agilent has tested the transceiver design for compliance with the requirements listed below under normal operating conditions and under single fault conditions where applicable. TUV Rheinland has granted certification to these transceivers for laser eye safety and use in EN 60950 and EN 60825-2 applications. Their performance enables the transceivers to be used without concern for eye safety up to 3.6 V transmitter  $V_{CC}$ .

**Table 1: Regulatory Compliance - Targeted Specification**

Feature	Test Method	Performance
Electrostatic Discharge (ESD) to the Electrical Pins	MIL-STD-883E Method 3015	Class 2 (>2 kV).
Electrostatic Discharge (ESD) to the LC Receptacle	Variation of IEC 61000-4-2	Tested to 8 kV contact discharge.
Electromagnetic Interference (EMI)	FCC Class B CENELEC EN55022 Class B (CISPR 22A) VCCI Class I	Margins are dependent on customer board and chassis designs.
Immunity	Variation of IEC 61000-4-3	Typically show no measurable effect from a 10 V/m field swept from 27 to 1000 MHz applied to the transceiver without a chassis enclosure.
Laser Eye Safety and Equipment Type Testing	US 21 CFR, Subchapter J per Paragraphs 1002.10 and 1002.12  EN 60825-1: 1994 +A11 EN 60825-2: 1994 EN 60950: 1992+A1+A2+A3	AEL Class I, FDA/CDRH CDRH Accession Number: HFCT-5942L/AL ⇒ 9521220 - 37 HFCT-5942ATL/TL ⇒ 9521220 - 38 HFCT-5942ATG/AG/G/TG ⇒ 9521220 - 41  AEL Class 1, TUV Rheinland of North America TUV Bauart License: HFCT-5942L/GL/AL/AG ⇒ 933/510111/04 HFCT-5942ATL/ATG/TL/TG ⇒ 933/510111/05
Component Recognition	Underwriters Laboratories and Canadian Standards Association Joint Component Recognition for Information Technology Equipment Including Electrical Business Equipment.	UL File Number: E173874

**CAUTION:**

There are no user serviceable parts nor any maintenance required for the HFCT-5942xxx. All adjustments are made at the factory before shipment to our customers. Tampering with or modifying the performance of the parts will result in voided product warranty. It may also result in improper operation of the circuitry, and possible overstress of the laser source. Device degradation or product failure may result.

Connection of the devices to a non-approved optical source, operating above the recommended absolute maximum conditions or operating the HFCT-5942xxx in a manner inconsistent with its design and function may result in hazardous radiation exposure and may be considered an act of modifying or manufacturing a laser product. The person(s) performing such an act is required by law to recertify and reidentify the laser product under the provisions of U.S. 21 CFR (Subchapter J).

### Absolute Maximum Ratings (HFCT-5942xxx)

Stresses in excess of the absolute maximum ratings can cause catastrophic damage to the device. Limits apply to each parameter in isolation, all other parameters having values within the recommended operating conditions. It should not be assumed that limiting values of more than one parameter can be applied to the product at the same time. Exposure to the absolute maximum ratings for extended periods can adversely affect device reliability.

Parameter	Symbol	Min.	Typ.	Max.	Unit	Reference
Storage Temperature	$T_S$	-40		+85	°C	
Supply Voltage	$V_{CC}$	-0.5		3.6	V	1
Data Input Voltage	$V_I$	-0.5		$V_{CC}$	V	
Data Output Current	$I_D$			50	mA	
Relative Humidity	RH	0		85	%	
Receiver Optical Input	$P_{INABS}$			6	dBm	

### Recommended Operating Conditions (HFCT-5942xxx)

Parameter	Symbol	Min.	Typ.	Max.	Unit	Reference
Ambient Operating Temperature						
HFCT-5942L/TL/G/TG	$T_A$	0		+70	°C	2
HFCT-5942AL/AG	$T_A$	-40		+85	°C	2
HFCT-5942ATL/ATG	$T_A$	-20		+85	°C	2
Supply Voltage	$V_{CC}$	3.1		3.5	V	
Power Supply Rejection	PSR		100		mV <sub>P-P</sub>	3
Transmitter Differential Input Voltage	$V_D$	0.3		2.4	V	
Data Output Load	$R_{DL}$		50		$\Omega$	
TTL Signal Detect Output Current - Low	$I_{OL}$			1.0	mA	
TTL Signal Detect Output Current - High	$I_{OH}$	-400			$\mu$ A	
Transmit Disable Input Voltage - Low	$T_{DIS}$			0.6	V	
Transmit Disable Input Voltage - High	$T_{DIS}$	2.2			V	
Transmit Disable Assert Time	$T_{ASSERT}$			10	$\mu$ s	4
Transmit Disable Deassert Time	$T_{DEASSERT}$			50	$\mu$ s	5

### Process Compatibility (HFCT-5942xxx)

Parameter	Symbol	Min.	Typ.	Max.	Unit	Reference
Wave Soldering and Aqueous Wash	$T_{SOLD}/t_{SOLD}$			+260/10	°C/sec.	6

#### Notes:

1. The transceiver is class 1 eye safe up to  $V_{CC} = 3.6$  V.
2. Ambient operating temperature utilizes air flow of  $2 \text{ ms}^{-1}$  over the device.
3. Tested with a sinusoidal signal in the frequency range from 10 Hz to 1 MHz on the  $V_{CC}$  supply with the recommended power supply filter in place. Typically less than a 1 dB change in sensitivity is experienced.
4. Time delay from Transmit Disable Assertion to laser shutdown.
5. Time delay from Transmit Disable Deassertion to laser startup.
6. Aqueous wash pressure <110 psi.

### Transmitter Electrical Characteristics

HFCT-5942L/G:  $T_A = 0^\circ\text{C}$  to  $+70^\circ\text{C}$ ,  $V_{CC} = 3.1\text{ V}$  to  $3.5\text{ V}$ )

HFCT-5942AL/AG:  $T_A = -40^\circ\text{C}$  to  $+85^\circ\text{C}$ ,  $V_{CC} = 3.1\text{ V}$  to  $3.5\text{ V}$ )

Parameter	Symbol	Min.	Typ.	Max.	Unit	Reference
Supply Current	$I_{CCT}$		100	175	mA	
Power Dissipation	$P_{DIST}$		0.33	0.61	W	
Data Input Voltage Swing (single-ended)	$V_{IH} - V_{IL}$	150		1200	mV	
Transmitter Differential Data Input Current - Low	$I_{IL}$	-350	-2		$\mu\text{A}$	
Transmitter Differential Data Input Current - High	$I_{IH}$		18	350	$\mu\text{A}$	
Laser Diode Bias Monitor Voltage				400	mV	1, 2
Power Monitor Voltage		10		100	mV	1, 2

### Receiver Electrical Characteristics

HFCT-5942L/G:  $T_A = 0^\circ\text{C}$  to  $+70^\circ\text{C}$ ,  $V_{CC} = 3.1\text{ V}$  to  $3.5\text{ V}$ )

HFCT-5942AL/AG:  $T_A = -40^\circ\text{C}$  to  $+85^\circ\text{C}$ ,  $V_{CC} = 3.1\text{ V}$  to  $3.5\text{ V}$ )

Parameter	Symbol	Min.	Typ.	Max.	Unit	Reference
Supply Current	$I_{CCR}$		115	140	mA	3
Power Dissipation	$P_{DISR}$		0.38	0.49	W	4
Data Output Voltage Swing (single-ended)	$V_{OH} - V_{OL}$	575		930	mV	5
Data Output Rise Time	$t_r$	100	125	150	ps	6
Data Output Fall Time	$t_f$	100	125	150	ps	6
Signal Detect Output Voltage - Low	$V_{OL}$			0.8	V	7
Signal Detect Output Voltage - High	$V_{OH}$	2.0			V	7
Signal Detect Assert Time (OFF to ON)	$AS_{MAX}$			100	$\mu\text{s}$	
Signal Detect Deassert Time (ON to OFF)	$ANS_{MAX}$			100	$\mu\text{s}$	8
Responsivity		0.6	0.9	1.2	$\mu\text{A}/\mu\text{W}$	9

#### Notes:

1. Measured at  $T_A = +25^\circ\text{C}$ .
2. The laser bias monitor current and laser diode optical power are calculated as ratios of the corresponding voltages to their current sensing resistors,  $10\ \Omega$  and  $200\ \Omega$  (under modulation).
3. Includes current for biasing Rx data outputs.
4. Power dissipation value is the power dissipated in the receiver itself. It is calculated as the sum of the products of  $V_{CC}$  and  $I_{CC}$  minus the sum of the products of the output voltages and currents.
5. These outputs are compatible with 10 k, 10 kHz, and 100 k ECL and PECL inputs.
6. These are 20 - 80% values.
7. SD is LVTTTL compatible.
8. For multi-rate applications LOS may be detected for long "all - zeros" patterns. Please refer to Application Note.
9. Responsivity is valid for input optical power from -18 dBm to -4 dBm at 1310 nm.

### Transmitter Optical Characteristics

HFCT-5942L/G:  $T_A = 0^\circ\text{C}$  to  $+70^\circ\text{C}$ ,  $V_{CC} = 3.1\text{ V}$  to  $3.5\text{ V}$ )

HFCT-5942AL/AG:  $T_A = -40^\circ\text{C}$  to  $+85^\circ\text{C}$ ,  $V_{CC} = 3.1\text{ V}$  to  $3.5\text{ V}$ )

Parameter	Symbol	Min.	Typ.	Max.	Unit	Reference
Output Optical Power 9 $\mu\text{m}$ SMF	$P_{\text{OUT}}$	-10	-6	-3	dBm	1
Center Wavelength	$\lambda_C$	1260		1360	nm	
Spectral Width - rms	$\sigma$		1.8	4	nm rms	2
Optical Rise Time	$t_r$		30	70	ps	3
Optical Fall Time	$t_f$		150	225	ps	3
Extinction Ratio	$E_R$	8.2	12		dB	
Output Optical Eye	Compliant with eye mask Telcordia GR-253-GORE					
Back Reflection Sensitivity				-8.5	dB	4
Jitter Generation	pk to pk			70	mUI	5
	RMS			7	mUI	5

### Receiver Optical Characteristics

HFCT-5942L/G:  $T_A = 0^\circ\text{C}$  to  $+70^\circ\text{C}$ ,  $V_{CC} = 3.1\text{ V}$  to  $3.5\text{ V}$ )

HFCT-5942AL/AG:  $T_A = -40^\circ\text{C}$  to  $+85^\circ\text{C}$ ,  $V_{CC} = 3.1\text{ V}$  to  $3.5\text{ V}$ )

Parameter	Symbol	Min.	Typ.	Max.	Unit	Reference
Receiver Sensitivity	$P_{\text{IN MIN}}$		-23	-19	dBm avg.	6, 7
Receiver Overload	$P_{\text{IN MAX}}$	-3	+1		dBm avg.	6
Input Operating Wavelength	$\lambda$	1260		1570	nm	
Signal Detect - Asserted	$P_A$		-27.3	-19.5	dBm avg.	
Signal Detect - Deasserted	$P_D$	-35	-28.7		dBm avg.	
Signal Detect - Hysteresis	$P_H$	0.5	1.4	4	dB	
Reflectance			-35	-27	dB	

#### Notes:

1. The output power is coupled into a 1 m single-mode fiber. Minimum output optical level is at end of life.
2. The relationship between FWHM and RMS values for spectral width can be derived from the assumption of a Gaussian shaped spectrum which results in  $\text{RMS} = \text{FWHM}/2.35$ .
3. These are unfiltered 20 - 80% values.
4. This meets the "desired" requirement in SONET specification (GR253). The figure given is the allowable mismatch for 1 dB degradation in receiver sensitivity.
5. For the jitter measurements, the device was driven with SONET OC-48C data pattern filled with a 2<sup>23</sup>-1 PRBS payload.
6.  $P_{\text{IN}}$  represents the typical optical input sensitivity of the receiver. Minimum sensitivity ( $P_{\text{INMIN}}$ ) and saturation ( $P_{\text{INMAX}}$ ) levels for a 2<sup>23</sup>-1 PRBS with 72 ones and 72 zeros inserted. Over the range the receiver is guaranteed to provide output data with a Bit Error Rate better than or equal to  $1 \times 10^{-10}$ .
7. Beginning of life sensitivity at  $+25^\circ\text{C}$  is -22 dBm (worst case).

### Transmitter Electrical Characteristics

HFCT-5942TL/TG:  $T_A = 0^\circ\text{C}$  to  $+70^\circ\text{C}$ ,  $V_{CC} = 3.1\text{ V}$  to  $3.5\text{ V}$ )

HFCT-5942ATL/ATG:  $T_A = -20^\circ\text{C}$  to  $+85^\circ\text{C}$ ,  $V_{CC} = 3.1\text{ V}$  to  $3.5\text{ V}$ )

Parameter	Symbol	Min.	Typ.	Max.	Unit	Reference
Supply Current	$I_{CCT}$		100	175	mA	
Power Dissipation	$P_{DIST}$		0.33	0.61	W	
Data Input Voltage Swing (single-ended)	$V_{IH} - V_{IL}$	150		1200	mV	
Transmitter Differential Data Input Current - Low	$I_{IL}$	-350	-2		$\mu\text{A}$	
Transmitter Differential Data Input Current - High	$I_{IH}$		18	350	$\mu\text{A}$	
Laser Diode Bias Monitor Voltage		0		400	mV	1, 2
Power Monitor Voltage		10		100	mV	1, 2

### Receiver Electrical Characteristics

HFCT-5942TL/TG:  $T_A = 0^\circ\text{C}$  to  $+70^\circ\text{C}$ ,  $V_{CC} = 3.1\text{ V}$  to  $3.5\text{ V}$ )

HFCT-5942ATL/ATG:  $T_A = -20^\circ\text{C}$  to  $+85^\circ\text{C}$ ,  $V_{CC} = 3.1\text{ V}$  to  $3.5\text{ V}$ )

Parameter	Symbol	Min.	Typ.	Max.	Unit	Reference
Supply Current	$I_{CCR}$		115	140	mA	3
Power Dissipation	$P_{DISR}$		0.38	0.49	W	4
Data Output Voltage Swing (single-ended)	$V_{OH} - V_{OL}$	575		930	mV	5
Data Output Rise Time	$t_r$	100	125	150	ps	6
Data Output Fall Time	$t_f$	100	125	150	ps	6
Signal Detect Output Voltage - Low	$V_{OL}$			0.8	V	7
Signal Detect Output Voltage - High	$V_{OH}$	2.0			V	7
Signal Detect Assert Time (OFF to ON)	$AS_{MAX}$			100	$\mu\text{s}$	
Signal Detect Deassert Time (ON to OFF)	$ANS_{MAX}$			100	$\mu\text{s}$	8
Responsivity		0.6	0.9	1.2	$\mu\text{A}/\mu\text{W}$	9

#### Notes:

1. Measured at  $T_A = +25^\circ\text{C}$ .
2. The laser bias monitor current and laser diode optical power are calculated as ratios of the corresponding voltages to their current sensing resistors, 10  $\Omega$  and 200  $\Omega$  (under modulation).
3. Includes current for biasing Rx data outputs.
4. Power dissipation value is the power dissipated in the receiver itself. It is calculated as the sum of the products of  $V_{CC}$  and  $I_{CC}$  minus the sum of the products of the output voltages and currents.
5. These outputs are compatible with 10 k, 10 kHz, and 100 k ECL and PECL inputs.
6. These are 20 - 80% values.
7. SD is LVTTTL compatible.
8. For multi-rate applications LOS may be detected for long "all - zeros" patterns. Please refer to Application Note.
9. Responsivity is valid for input optical power from -18 dBm to -4 dBm at 1310 nm.



### Transmitter Optical Characteristics

HFCT-5942TL/TG:  $T_A = 0^\circ\text{C}$  to  $+70^\circ\text{C}$ ,  $V_{CC} = 3.1\text{ V}$  to  $3.5\text{ V}$ )

HFCT-5942ATL/ATG:  $T_A = -20^\circ\text{C}$  to  $+85^\circ\text{C}$ ,  $V_{CC} = 3.1\text{ V}$  to  $3.5\text{ V}$ )

Parameter	Symbol	Min.	Typ.	Max.	Unit	Reference
Output Optical Power 9 $\mu\text{m}$ SMF	$P_{\text{OUT}}$	-5	-3	0	dBm	1
Center Wavelength	$\lambda_c$	1260		1360	nm	
Spectral Width	$\sigma$			1	nm (pk -20 dB)	2
Side Mode Suppression Ratio	SMSR	30			dB	
Optical Rise Time	$t_r$		30	70	ps	3
Optical Fall Time	$t_f$		110	160	ps	3
Extinction Ratio	$E_R$	8.2	10.5		dB	
Output Optical Eye	Compliant with eye mask Telcordia GR-253-CORE					
Back Reflection Sensitivity				-8.5	dB	4
Jitter Generation	pk to pk			70	mUI	5
	RMS			7	mUI	5

### Receiver Optical Characteristics

HFCT-5942TL/TG:  $T_A = 0^\circ\text{C}$  to  $+70^\circ\text{C}$ ,  $V_{CC} = 3.1\text{ V}$  to  $3.5\text{ V}$ )

HFCT-5942ATL/ATG:  $T_A = -20^\circ\text{C}$  to  $+85^\circ\text{C}$ ,  $V_{CC} = 3.1\text{ V}$  to  $3.5\text{ V}$ )

Parameter	Symbol	Min.	Typ.	Max.	Unit	Reference
Receiver Sensitivity	$P_{\text{IN MIN}}$		-23	-19	dBm avg.	6, 7
Receiver Overload	$P_{\text{IN MAX}}$	0	+1		dBm avg.	6
Input Operating Wavelength	$\lambda$	1260		1570	nm	
Signal Detect - Asserted	$P_A$		-27.3	-19.5	dBm avg.	
Signal Detect - Deasserted	$P_D$	-35	-28.7		dBm avg.	
Signal Detect - Hysteresis	$P_H$	0.5	1.4	4	dB	
Reflectance			-35	-27	dB	

#### Notes:

1. The output power is coupled into a 1 m single-mode fiber. Minimum output optical level is at end of life.
2. Spectral width of main laser peak measured 20 dB below peak spectral density.
3. These are unfiltered 20 - 80% values.
4. This meets the "desired" requirement in SONET specification (GR253). The figure given is the allowable mismatch for 1 dB degradation in receiver sensitivity.
5. For the jitter measurements, the device was driven with SONET OC-48C data pattern filled with a  $2^{23}$ .1 PRBS payload.
6.  $P_{\text{IN}}$  represents the typical optical input sensitivity of the receiver. Minimum sensitivity ( $P_{\text{IN MIN}}$ ) and saturation ( $P_{\text{IN MAX}}$ ) levels for a  $2^{23}$ .1 PRBS with 72 ones and 72 zeros inserted. Over the range the receiver is guaranteed to provide output data with a Bit Error Rate better than or equal to  $1 \times 10^{-10}$ .
7. Beginning of life sensitivity at  $+25^\circ\text{C}$  is -22 dBm (worst case).

### Design Support Materials

Agilent has created a number of reference designs with major PHY IC vendors in order to demonstrate full functionality and interoperability. Such design information and results can be made available to the designer as a technical aid. Please contact your Agilent representative for further information if required.

### Ordering Information

#### 1300 nm FP Laser (Temperature range 0°C to +70°C)

HFCT-5942L  
HFCT-5942G

#### 1300 nm FP Laser (Temperature range -40°C to +85°C)

HFCT-5942AL  
HFCT-5942AG

#### 1300 nm DFB Laser (Temperature range 0°C to +70°C)

HFCT-5942TL  
HFCT-5942TG

#### 1300 nm DFB Laser (Temperature range -20°C to +85°C)

HFCT-5942ATL  
HFCT-5942ATG

**Class 1 Laser Product:** This product conforms to the applicable requirements of 21 CFR 1040 at the date of manufacture

Date of Manufacture: \_\_\_\_\_

Agilent Technologies Inc., No 1 Yishun Ave 7, Singapore

### Handling Precautions

1. The HFCT-5942xxx can be damaged by current surges or overvoltage. Power supply transient precautions should be taken.
2. Normal handling precautions for electrostatic sensitive devices should be taken.

For product information and a complete list of Agilent contacts and distributors, please go to our web site.

**[www.agilent.com/  
semiconductors](http://www.agilent.com/semiconductors)**

E-mail: [SemiconductorSupport@agilent.com](mailto:SemiconductorSupport@agilent.com)

Data subject to change.

Copyright © 2004 Agilent Technologies, Inc.

Obsoletes: 5988-5924EN

August 3, 2004

5988-8146EN



**Agilent Technologies**