

Peak Emission Wavelength: 880nm

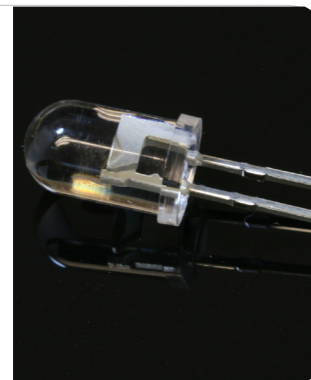
The MT5880-IR is an infrared T 1 3/4, 5mm water clear LED designed for applications requiring high power and high speed packaged with the lens optimized to produce a narrow viewing angle.

FEATURES

- > High Power Output
- > High Speed
- > Straight Leads

APPLICATIONS

- > Optical Sensors / Switches
- > Fiber Optic Communication
- > Medical Instrumentation
- > Remote Controls



Absolute Maximum Ratings (Ta=25°C)

ITEMS	SYMBOL	RATINGS	UNIT
Forward Current	IF	150	mA
Peak Forward Current*1	IFP	200	mA
Power Dissipation	PD	200	mW
Operating Temperature Range	Topr	-20 ~ +80	°C
Storage Temperature Range	Tstg	-40 ~ +100	°C
Lead Soldering Temperature*2	Tls	260	°C
Junction Temperature	Tj	100	°C

*1: Test Conditions: $t_p \leq 50\mu s$, $t_p/T = 1/2$. *2: Time 5 Sec max, Position: Up to 3mm from case.

Electrical & Optical Characteristics (Ta = 25°C)

ITEMS	SYMBOL	CONDITIONS	MIN	TYP	MAX	UNIT
Forward Voltage	VF	IF=20mA	--	1.4	1.8	V
Forward Voltage	VF	IF=100mA	--	1.6	2.0	V
Reverse Voltage	VR	IR=10μA	5	--	--	V
Radiant Power	Φe	IF=20mA	7	11	--	mW
Radiant Power	Φe	IF=100mA	--	45	--	mW
Peak Emission Wavelength	λp	IF=20mA	865	880	895	nm
Spectral Bandwidth at 50%	Δλ _{0.5}	IF=20mA	--	50	--	nm
Viewing Angle	Θ	IF=20mA	--	20	--	deg.
Switching Time	T _R , T _F	IF=20mA	--	10/20	--	ns

RADIATION

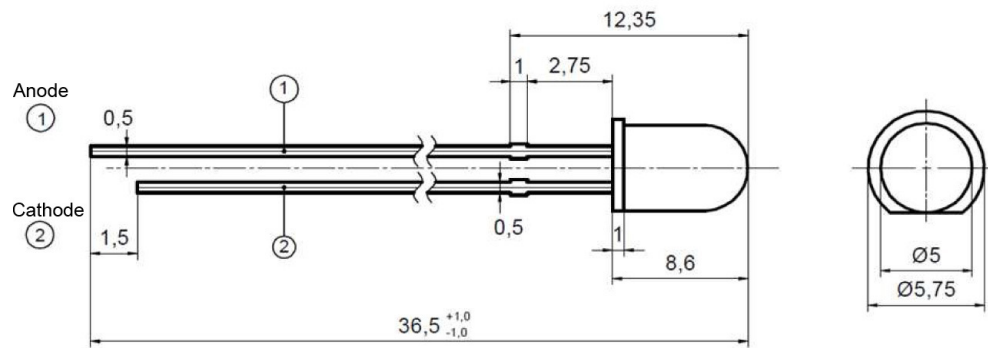
Infrared

TYPE

DDH

CASE

5mm Plastic Lens



Unit: mm