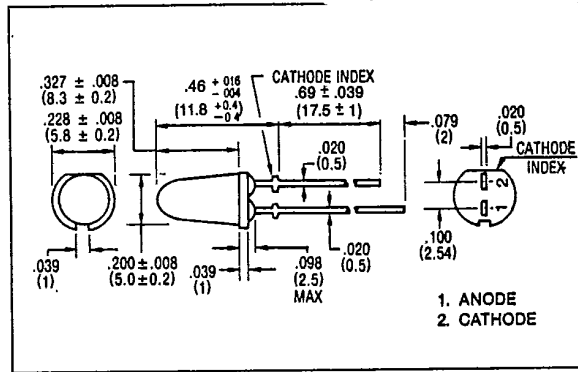


# T-1<sup>3</sup>/<sub>4</sub> LOW CURRENT SERIES

## FEATURES

- Optimized for low D.C. current operation.
- T-1<sup>3</sup>/<sub>4</sub> tapered design.
- CMOS and TTL compatible.
- Excellent brightness at 2mA.



## MAXIMUM RATINGS (Ta = 25°C)

PART NO.	FORWARD CURRENT (I <sub>F</sub> ) (mA)	REVERSE VOLTAGE (V <sub>R</sub> ) (V)	POWER DISSIPATION (P <sub>D</sub> ) (mW)	OPERATING TEMPERATURE (T <sub>opr</sub> ) (°C)	STORAGE TEMPERATURE (T <sub>stg</sub> ) (°C)
MT540-R2	20	4	56	-20 ~ 75	-30 ~ 100
MT540-UG2	20	4	56	-20 ~ 75	-30 ~ 100
MT540-UY2	20	4	56	-20 ~ 75	-30 ~ 100

## OPTO-ELECTRICAL CHARACTERISTICS (Ta = 25°C)

PART NO.	MATERIAL	LENS COLOR	VIEWING ANGLE	LUMINOUS INTENSITY (mcd)			FORWARD VOLTAGE (V)			REVERSE CURRENT		PEAK WAVELENGTH (nm)	SPEC. LINE HALF WIDTH (nm)
				typ.	min.	typ. @mA	typ.	max. @ mA	μA	V <sub>r</sub>			
MT540-R2	GaP/GaP	Red/Diff	25°	1.2	2.0	2	2.1	2.8	20	100	4	700	100
MT540-UG2	GaP/GaP	Green/Diff	25°	1.2	1.8	2	2.1	2.8	20	5	4	565	25
MT540-UY2	GaAsP/GaP	Yellow/Diff	25°	1.2	1.8	2	2.1	2.8	20	100	4	585	32