



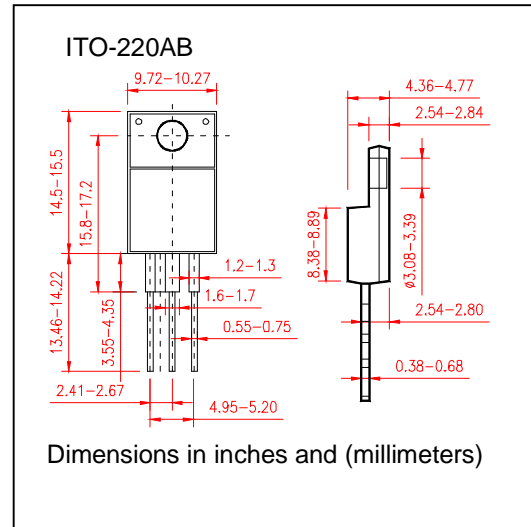
LOW FORWARD VOLTAGE SCHOTTKY BARRIER RECTIFIER

SRFL1030 THRU SRFL1060

VOLTAGE RANGE **30 t o 60 Volts**
CURRENT **10.0 Ampere**

FEATURES

- Schottky Barrier Chip
- Guard Ring Die Construction for Transient Protection
- Low Power Loss, High efficiency
- High Surge Capability
- High Current capacity and Low Forward Voltage Drop
- For use in low voltage high frequency inverters, Free wheeling, and polarity protection applications
- Plastic Material has UL Flammability Classification 94V-0



MECHANICAL DATA

- Case: ITO-220AC molded plastic
- Terminals: Plated Lead solderable per MIL-STD-202 Method 208
- Polarity: See Diagram
- Weight: 2.24 grams (approx)
- Mounting Position: Any
- Marking: Type Number

MAXIMUM RATINGS AND ELECTRICAL CHARACTERISTICS

- Single Phase, half wave, 60Hz, resistive or inductive load
- For capacitive load derate current by 20%

	SYMBOLS	SRFL 1030	SRFL 1035	SRFL 1040	SRFL 1045	SRFL 1050	SRFL 1060	UNIT
Peak Repetitive Reverse Voltage	V_{RRM}	30	35	40	45	50	60	V
Working Peak Reverse Voltage	V_{RWM}							
DC Blocking Voltage	V_R							
RMS Reverse Voltage	$V_{R(RMS)}$	21	25	28	32	35	42	V
Average Rectified Output Current (Note 1) @ $T_c=95^\circ C$	I_O	10.0						A
Non-Repetitive Peak Forward Surge Current 8.3ms single half sine wave superimposed on rated load (JEDEC method)	I_{FSM}	250						A
Forward Voltage Drop @ $I_F=10A, T_c=25^\circ C$	V_{FM}	0.55				0.65		V
Peak Reverse Current at Rated DC Blocking Voltage	$T_c = 25^\circ C$	1.0						mA
	$T_c = 100^\circ C$	50						
Typical Junction Capacitance (Note 2)	C_j	700						pF
Typical Resistance Junction to case (Note 1)	$R_{\theta JC}$	3.5						$^\circ C/W$
Operating and Storage Temperature Range	$T_j T_{STG}$	(-55 to +150)						$^\circ C$

Notes:

1. Thermal Resistance Junction to case mounted on heatsink
2. Measured at 1.0MHz and applied reverse voltage of 4.0V DC



LOW FORWARD VOLTAGE SCHOTTKY BARRIER RECTIFIER

SRFL1030 THRU SRFL1060

VOLTAGE RANGE 30 to 60 Volts
CURRENT 10.0 Ampere

RATING AND CHARACTERISTIC CURVES SRFL1030 THRU SRFL1060

